

2024

2025

EN



**Elektrosvit**

SINCE 1906



# *Elektrosvit*

SINCE 1906

CZECH PRODUCER OF ELECTRICAL LIGHT FITTINGS  
WITH MORE THAN A CENTURY OF TRADITION

[WWW.ELEKTROSVIT.CZ](http://WWW.ELEKTROSVIT.CZ)





## DEAR BUSINESS PARTNERS, DEAR FRIENDS,

we would like to introduce you to our company ELEKTROSVIT Svatobořice, a.s., which has been on the market **for more than 115 years**. The production plant is located in the village of Svatobořice-Mistřín, about 50 km from Brno in the centre of South Moravia, which is famous for its love of wine and folklore.

Our company focuses on the production of light fittings, **our specialization is explosion-proof light fittings for hazardous areas (Ex)**, such as chemical plants, compressor stations, oil and gas extraction and processing, nuclear, thermal and hydroelectric power plants, paint shops, paper mills, gas mines, etc. In addition to non-explosive luminaires, we produce **industrial light fittings designed for demanding operations with a high degree of stress**, as well as floodlights and public lighting luminaires.

In this edition of the catalogue we introduce you to our new products, the extension of existing product lines and the creation of a new design line of retro light fittings.

All light fittings are issued with a declaration of conformity according to the current legislation. At the same time, the light fittings are manufactured in compliance with European standards EN. The certification of explosion-proof light fittings is in accordance with the requirements of the international standard **ATEX 2014/34/EU**. The company is involved in the system of EKO-KOM, which ensures the association of the fulfillment of the obligations of the take-back and recovery of packaging waste and EKOLAMP, which ensures the take-back and recycling of end-of-life light sources, light fittings and other electrical equipment. Our company holds a certificate of quality management according to **EN ISO 9001:2016**.

Current business activities are mainly oriented to the Czech market. Export activities are directed to the Slovak market, Central, Eastern and South-Eastern Europe, the EU, the Middle East and Central America. The company presents itself at national and international trade fairs and at regular professional seminars focused on lighting technology. We provide our customers with designs for interior and exterior lighting spaces and lighting calculations in the **WILS, DIALUX** program.

Since we would like to share our valuable experience in the production of lighting technology with other manufacturers of this or similar production, and on the contrary, possibly establish a beneficial cooperation, we invite all interested parties to contact us, either in person or in writing. All additional information about our company and the range of products we offer can be found on our company website: [www.elektrosvit.cz](http://www.elektrosvit.cz)

We thank all our customers for their cooperation so far, new customers for their interest and we look forward to further cooperation.

JUDr. Martin Šutka  
Chairman of the Board

## CONTENT

**ORION LED**

Zone 1/22 II 2G Ex db eb op is IIC T5-T6 Gb  
 Zone 2/22 II 2D Ex tb op is IIIC T80-90°C Db

6

**SIRIUS LED**

Zone 1/22 II 2G Ex db eb op is IIC T5 Gb  
 Zone 2/22 II 2D Ex tb op is IIIC T90°C Db of 591 44 01 (K)

7

II 2G Ex db eb op is IIC T6 Gb  
 II 2D Ex tb op is IIIC T81°C Db of 591 44 02 (K)

II 2G Ex db eb op is IIC T5 Gb  
 II 2D Ex tb op is IIIC T87°C Db of 591 44 03 (K)

**ERIS LED**

Zone 2/22 II 3G Ex nR IIC T6 Gc  
 II 3D Ex tc IIIC T80° Dc

8

**BILUX LED**

Zone 2/22 II 3G Ex nR IIC T6 Gc  
 II 3D Ex tc IIIC T80° Dc

9

**TRILUX LED**

Zone 2/22 II 3G Ex nR IIC T6 Gc  
 II 3D Ex tc IIIC T80° Dc

10

**MULTISAFE LED**

Zone 2/22 II 3G Ex nR IIC T6 Gc  
 II 3D Ex tc IIIC T80° Dc

11

---

**SPARE PARTS**

12

**LUMINAIRES CONFIGURATOR**

40



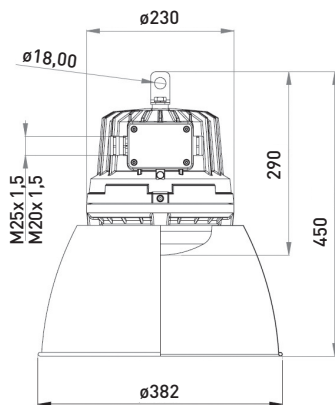
**EXPLOSION-PROOF  
LUMINAIRES**

# ORION LED

Zone 1/21  
Zone 2/22

II 2G Ex db eb op is IIC T5-T6 Gb  
II 2D Ex tb op is IIIC T80-90°C Db

Explosion-proof light fitting for the illumination of indoor and outdoor industrial spaces with a danger of gas, vapour and dust explosion.



### TECHNICAL DESCRIPTION

The body and flange of the light fitting are AlSi alloy castings finished with RAL 1005 powder paint. The optical cover is made of tempered glass. A steel suspension with an eye is fixed to the top part of the body. There are two cable outlets on the light fitting sides. There is a LED module built inside the light fitting and it is comprised of a board fitted with LEDs and a power supply. The light fitting is designed as a through light fitting, for three phase alternation (five-core cable). When the light fitting is used as a terminal light fitting, the free cable outlet is blinded with a plug. The max. cross-section of the connecting conductors is 4 mm<sup>2</sup>. The light fitting is produced with plastic cable gland as standard, metal gland is available on request.

INSTALLATION With a steel suspension with an eye  $\varnothing 18$  mm

VERSIONS Light fittings are provided with a self-resetting thermal fuse and a surge guard up to 10 kV. Standard light fittings are available with cable outlets M25x1.5, optionally with cable outlets M20x1.5

LIFETIME 100.000 hours, L90B10

DRIVER FUNCTIONS e CLO, ITG, IVG+, NFC, ETM+NTC, inputDIM

CE	LED	IP66		ATEX 2014/34/EU
3F	198 - 264V AC 176 - 280V DC	50 Hz 60 Hz	Ta -40°C ÷ +50°C	
Carton (mm/pcs) 300 x 250 x 250 / 1				

Type	Power input [W] / Luminous flux [lm]	Luminous efficiency [lm/W]	Temperature class	Angle of beam [°]	Colour temperature [K]	CRI	Weight [kg]
591 39 04 (K)	50 / 7100	142	T5	120	4000, 5000, 5700, 6500	>80	10
591 39 05 (K)	30 / 4365	146	T6	120	4000, 5000, 5700, 6500	>80	10

\*By adding letter „K“ behind type designation, light fittings will be provided with protective steel baskets (e.c. 591 39 04K)

### MAXIMUM CIRCUIT BREAKER LOAD AND NUMBER OF LUMINAIRES CONNECTED IN SERIES

Circuit breaker	C10	C13	C16	C20	B10	B13	B16	B20
Amount of luminaires max	10	13	16	21	6	8	10	13
Conductor cross-section	1,5	1,5	2,5	4	1,5	1,5	2,5	4

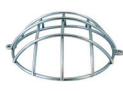
Starting current I <sub>max</sub>	time
41.6A	238us

\* Actual values may vary due to the types of circuit breakers used and the installation environment.

### TO ORDER



Shade  
254.5021/01



Protective basket  
2-99.7461



Holder for mounting  
on the ceiling  
4-99.7995



Holder for mounting  
on the wall  
338.2735



Screw plug  
V-Ex



Blinding plug  
HSK-V-EX

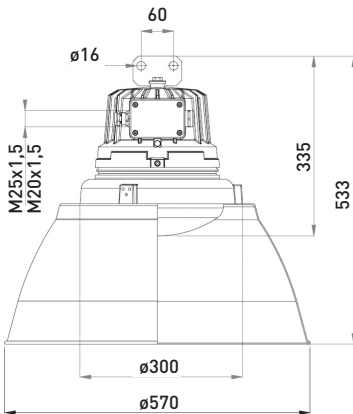


Rotating holder  
3-99.6289



Key  
3-99.6158/1

# SIRIUS LED



- Zone 1/21** II 2G Ex db eb op is IIC T5 Gb  
II 2D Ex tb op is IIIC T90°C Db  
of 591 44 01
- Zone 2/22** II 2G Ex db eb op is IIC T6 Gb  
II 2D Ex tb op is IIIC T81°C Db  
of 591 44 02
- II 2G Ex db eb op is IIC T5 Gb  
II 2D Ex tb op is IIIC T87°C Db  
of 591 44 03

Explosion-proof light fitting for the illumination of indoor and outdoor industrial spaces with a danger of gas, vapour and dust explosion.

### TECHNICAL DESCRIPTION

The body and flange of the light fitting are AlSi alloy castings finished with RAL 1005 powder paint. The optical cover is made of tempered glass. A steel suspension with eyes is fixed to the top part of the body. There are two cable outlets on the sides of the light fitting. The steel base plate with electrical equipment and reflector is built inside the light fitting. The light fitting is designed as a through light fitting, for three phase alternation (five-core cable). When the light fitting is used as a terminal light fitting, the free cable outlet is blinded with a plug. The max. cross-section of the connecting conductors is 4 mm<sup>2</sup>. The light fitting is produced with plastic cable gland as standard, metal gland is available on request.

### INSTALLATION

With steel suspensions with eyes  $\varnothing 16$  mm

### VERSIONS

Standard light fittings are available with cable outlets M25x1,5, optionally with cable outlets M20x1,5

### LIFETIME

100.000 hours, L90B10

### DRIVER FUNCTIONS

e CLO, ITG, IVG+, NFC, ETM+NTC, inputDIM

			<b>IP66</b>	<b>ATEX</b> 2014/34/EU
<b>198 - 264V AC</b>	<b>50 Hz</b>	Ta -40°C ÷ +50°C - 591 44 01 -40°C ÷ +55°C - 591 44 02 -40°C ÷ +60°C - 591 44 03		
<b>176 - 280V DC</b>	<b>60 Hz</b>			
<b>Carton (mm/pcs) 350 x 350 x 340 / 1</b>				

Type	Power input [W] / Luminous flux [lm]	Luminous efficiency [lm/W]	Temperature class	Angle of beam [°]	Colour temperature [K]	CRI	Weight [kg]
<b>591 44 01 (K)</b>	100 / 15 025	150	T5	120	4000, 5000, 5700, 6500	>80	15
<b>591 44 02 (K)</b>	75 / 11 475	153	T6	120	4000, 5000, 5700, 6500	>80	15
<b>591 44 03 (K)</b>	65 / 9750	150	T5	120	4000, 5000, 5700, 6500	>80	14

\*By adding letter „K“ behind type designation, light fittings will be provided with protective steel baskets (591 44 01 K).

### MAXIMUM CIRCUIT BREAKER LOAD AND NUMBER OF LUMINAIRES CONNECTED IN SERIES (half load for types 591 44 01, 591 44 02)

Circuit breaker	C10	C13	C16	C20	B10	B13	B16	B20
Amount of luminaires max	10	13	17	22	6	8	10	13
Conductor cross-section	1,5	1,5	2,5	4	1,5	1,5	2,5	4

Starting current Imax	time
41.6A	238us

\* Actual values may vary due to the types of circuit breakers used and the installation environment.

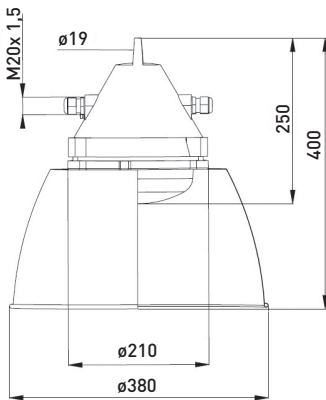
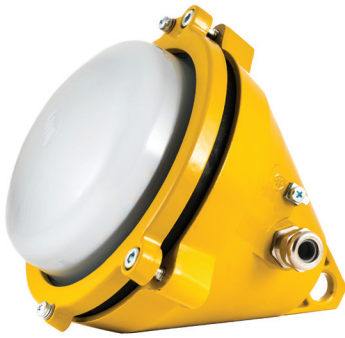
### TO ORDER

Shade 154.5041/2	Protective basket 2-99.6325	Holder for mounting on the ceiling 4-99.5903	Key 3-99.6159	Blinding plug HSK-V-Ex M25x1,5 M20x1,5	Screw plug M25x135; M20x1,5	Blinding screw V-MS-VMQ-Ex M20x1,5

# ERIS LED

**Zone 2/22**  
**II 3G Ex nR IIC T6 Gc**  
**II 3D Ex tc IIIC T80°C Dc**

Explosion-proof light fitting for the illumination of indoor and outdoor industrial spaces with the danger of gas, vapour and dust explosion



**TECHNICAL DESCRIPTION**

The body and flange of the light fitting are AlSi alloy castings finished with RAL 1005 powder paint. The optical cover is made of tempered glass. There are two cable outlets on the light fitting sides. There is a LED module built inside the light fitting and it is comprised of a board fitted with LEDs and a power supply. The light fitting is designed as a through light fitting, for a three-phase connection (five-core cable). When the light fitting is used as a terminal light fitting, the free cable outlet is blinded with a plug. The max. cross-section of the connecting conductors is 4 mm<sup>2</sup>. The light fitting is produced with plastic cable gland as standard, metal gland is available on request.

**INSTALLATION**

With a steel suspension with an eye ø20 mm, ceiling holder 4-99.7995, flexible suspension 2-99.5550, support holder 338.2783.

**VERSIONS**

Light fitting are provided with a self-resetting thermal fuse and a surge guard up to 10 kV.

**LIFETIME**

100.000 hours, L90B10

**DRIVER FUNCTIONS**

e CLO, ITG, IVG+, NFC, ETM+NTC, inputDIM

			<b>IP66</b>	<b>ATEX</b> 2014/34/EU
<b>198 - 264V AC</b> <b>176 - 280V DC</b>		<b>50 Hz</b> <b>60 Hz</b>	<b>Ta</b> -40°C ÷ +50°C	
<b>Carton (mm/pcs) 240 x 240 x 260 / 1</b>				

Type	Power input [W] / Luminous flux [lm]	Luminous efficiency [lm/W]	Temperature class	Angle of beam [°]	Colour temperature [K]	CRI	Weight [kg]
<b>591 15 01n</b>	35 / 4786	137	T6	120	4000, 5000, 5700, 6500	>80	6
<b>591 15 02n</b>	25 / 3533	141	T6	120	4000, 5000, 5700, 6500	>80	6
<b>591 15 03n</b>	15 / 2179	143	T6	120	4000, 5000, 5700, 6500	>80	6

**MAXIMUM CIRCUIT BREAKER LOAD AND NUMBER OF LUMINAIRES CONNECTED IN SERIES**

Circuit breaker	C10	C13	C16	C20	B10	B13	B16	B20
Amount of luminaires max	20	26	33	43	12	16	20	26
Conductor cross-section	1,5	1,5	2,5	4	1,5	1,5	2,5	4

Starting current I <sub>max</sub>	time
24.88A	236us

\* Actual values may vary due to the types of circuit breakers used and the installation environment.

**TO ORDER**



Shade  
254.5021/01



Flexible suspension  
2-99.5550



Support holder  
338.2783



Holder for mounting  
on the ceiling  
4-99.7995



Screw plug  
V-Ms-VMQ-Ex  
M20x1,5



Blinding plug  
HSK-V-Ex M20x1,5



# BILUX LED

**Zone 2/22**  
**II 3G Ex nR IIC T6 Gc**  
**II 3D Ex tc IIIC T80°C Dc**

Explosion-proof light fitting for the illumination of indoor and outdoor industrial spaces with the danger of gas, vapour and dust explosion.



### TECHNICAL DESCRIPTION

The body and flange of the light fitting are AlSi alloy castings finished with RAL 1005 powder paint. The optical cover is made of hardened glass. There are two cable outlets on the light fitting sides. There is a LED module built inside the light fitting and it is comprised of a board fitted with LEDs and a power supply. The light fitting is designed as a through light fitting, for three-phase connection (five-core cable). When the light fitting is used as a terminal light fitting, the free cable outlet is blinded with a plug. The max. cross-section of the connecting conductors is 4 mm<sup>2</sup>. The light fitting is produced with plastic cable gland as standard, metal gland is available on request.

### INSTALLATION

On the ceiling, wall, or another solid substrate (structure) ensuring firm connection.

### VERSIONS

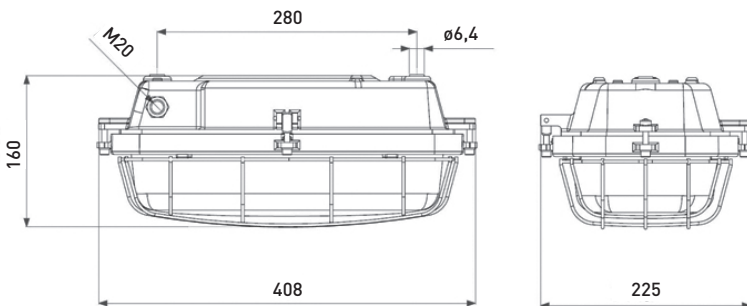
Light fitting are provided with a self-resetting thermal fuse and a surge guard up to 10 kV.

### LIFETIME

100.000 hours, L90B10

### DRIVER FUNCTIONS

e CLO, ITG, IVG+, NFC, ETM+NTC, inputDIM



CE	LED	IP66	ATEX 2014/34/EU
198 - 264V AC 176 - 280V DC	50 Hz 60 Hz	Ta -40°C ÷ +50°C	
Carton (mm/pcs) 415 x 235 x 210 / 1			

Type	Power input [W] / Luminous flux [lm]	Luminous efficiency [lm/W]	Temperature class	Angle of beam [°]	Colour temperature [K]	CRI	Weight [kg]
591 32 01 n	30 / 4039	135	T6	120	4000, 5000, 5700, 6500	>80	6
591 32 02 n	20 / 2709	135	T6	120	4000, 5000, 5700, 6500	>80	6
591 32 24n (V DC)	12 / 1446	120	T6	120	4000, 5000, 5700, 6500	>80	6

### MAXIMUM CIRCUIT BREAKER LOAD AND NUMBER OF LUMINAIRES CONNECTED IN SERIES

Circuit breaker	C10	C13	C16	C20	B10	B13	B16	B20
Amount of luminaires max	20	26	33	43	12	16	20	26
Conductor cross-section	1,5	1,5	2,5	4	1,5	1,5	2,5	4

Starting current I <sub>max</sub>	time
24.88A	236us

\* Actual values may vary due to the types of circuit breakers used and the installation environment.

### TO ORDER



Protective glass  
132.5069



Protective basket  
1-99.5992/1



Wall/ceiling holder  
338.2779



Screw plug  
V-MS-VMQ-Ex M20x1,5

**Zone 2/22**  
**II 3G Ex nR IIC T6 Gc**  
**II 3D Ex tc IIIC T80°C Dc**

Explosion-proof light fitting for the illumination of indoor and outdoor industrial spaces with a danger of gas, vapour and dust explosion



**TECHNICAL DESCRIPTION**

The light fitting body and flange are AlSi alloy castings finished with RAL 1005 powder paint. There are two cable outlets on the body sides. There is a LED module built inside the light fitting and it is comprised of a board fitted with LEDs and a power supply. The light fitting is designed as a through light fitting, for three-phase connection (five-core cable). When the light fitting is used as a terminal light fitting, the free cable outlet is blinded with a plug. The max. cross-section of the connecting conductors is 4 mm<sup>2</sup>. The light fitting is produced with plastic cable gland as standard, metal gland is available on request.

**INSTALLATION**

On the ceiling, wall, or another solid substrate (structure) ensuring firm connection.

**VERSIONS**

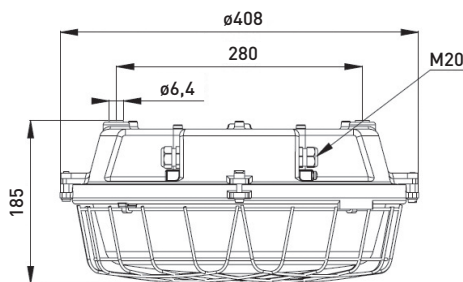
The light fittings are provided with a self-resetting thermal fuse and a surge guard up to 10 kV.

**LIFETIME**

100.000 hours, L90B10

**DRIVER FUNCTIONS**

e CLO, ITG, IVG+, NFC, ETM+NTC, inputDIM



			IP66	ATEX 2014/34/EU
198 - 264V AC 176 - 280V DC		50 Hz 60 Hz	Ta -40°C ÷ +50°C	
Carton (mm/pcs) 400 x 400 x 190 / 1				

Type	Power input [W] / Luminous flux [lm]	Luminous efficiency [lm/W]	Temperature class	Angle of beam [°]	Colour temperature [K]	CRI	Weight [kg]
591 33 01n	50 / 6980	140	T6	120	4000, 5000, 5700, 6500	>80	8
591 33 02n	30 / 4613	148	T6	120	4000, 5000, 5700, 6500	>80	8
591 33 03n	20 / 3020	146	T6	120	4000, 5000, 5700, 6500	>80	8

**MAXIMUM CIRCUIT BREAKER LOAD AND NUMBER OF LUMINAIRES CONNECTED IN SERIES**

Circuit breaker	C10	C13	C16	C20	B10	B13	B16	B20
Amount of luminaires max	10	13	16	21	6	8	10	13
Conductor cross-section	1,5	1,5	2,5	4	1,5	1,5	2,5	4

Starting current I <sub>max</sub>	time
32A	355us

\* Actual values may vary due to the types of circuit breakers used and the installation environment.

**TO ORDER**



Protective glass  
232.5070



Protective basket  
1-99.5984/1



Wall/ceiling holder  
338.2779



Screw plug  
V-Ex M20x1,5



Blinding plug  
HSK-V-Ex M20x1,5

# MULTISAFE LED

EXPLOSION - PROOF LUMINAIRES

**Zone 2/22**  
**II 3G Ex nR IIC T6 Gc**  
**II 3D Ex tc IIIC T80°C Dc**

Explosion-proof emergency light fitting for the permanent (M) and non-permanent (NM) illumination of indoor and outdoor industrial spaces with a danger of gas, vapour and dust explosion.



## TECHNICAL DESCRIPTION

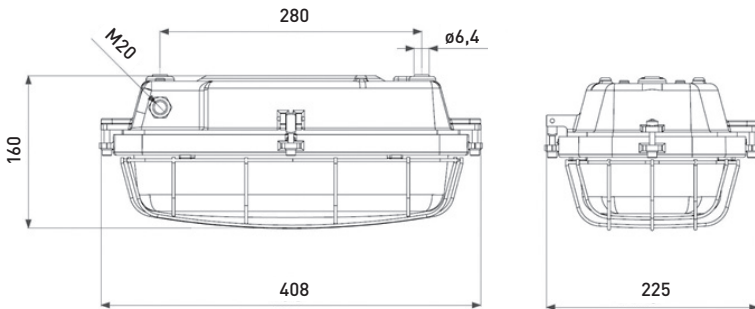
The body and flange of the light fitting are AlSi alloy castings finished with RAL 1005 powder paint. The optical cover is made of hardened glass. There are two cable outlets on the sides of the light fitting. There is an emergency LED module with a battery built inside the light fitting. The light fitting is designed as a through light fitting, for two phase alternation (four-core cable). When the light fitting is used as a terminal light fitting, the free cable outlet is blinded with a plug. The max. cross-section of the connecting conductors is 4 mm<sup>2</sup>. The light fitting is produced with plastic cable gland as standard, metal gland is available on request.

## INSTALLATION

On the ceiling, wall, or another solid substrate (structure) ensuring firm connection.

## VERSIONS

Light fittings are made in versions for permanent (M) and non-permanent (NM) emergency illumination, with autonomy of 3 hours.



CE	230 V 50 Hz	IP66	ATEX 2014/34/EU
LED	EVG	EMERGENCY	Ta +5°C ÷ +40°C
Carton (mm/pcs) 415 x 235 x 170/1			

Type	Power input [W] / Charging power[W]	Luminous flux [lm] / Light flux during charging [lm]	Temperature class	Version	Autonomy [h]	Colour temperature [K]	Weight [kg]
591 32 01nEM	10 / 7	309 / 275	T6	M / NM	3	5700	5
591 32 02nEM	17 / 12	937 / 839	T6	M / NM	3	5700	5

## TO ORDER



Protective glass  
132.5069



Protective basket  
1-99.5992/1



Wall/ceiling holder  
338.2779



Screw plug  
V-Ex M20x1,5



Blinding plug  
HSK-V-Ex M20x1,5



Cable gland  
M20x1,5 / M25x1,5

# SPARE PARTS



Shade  
154.5041/2



Shade  
254.5021/01



Protective sand-blasted glass  
132.2551



Protective glass clear  
31108



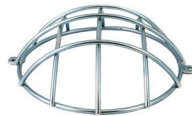
Protective sand-blasted  
glass 232.5070



Protective basket  
1-99.5992/1



Protective basket  
1-99.5984/1



Protective basket  
2-99.7461



Protective basket  
2-99.7461



Protective basket  
2-99.6325



PC diffuser



Rotating  
holder  
3-99.6289



Support  
holder  
338.2783



Wall/ceiling  
holder  
338.2779



Holder for mounting  
on the ceiling  
4-99.7995



Holder for mounting  
on the wall  
338.2735



Screw plug  
V-Ex  
M25x1,5 / M20x1,5



Blinding plug  
HSK-V-Ex  
M25x1,5 / M20x1,5



Cable gland  
Ex-e  
M20x1,5 / M25x1,5



Cable gland  
Ex-e  
M20x1,5 / M25x1,5



Gland nut  
GM-FS



Nut  
M20x1,5 / M25x1,5



Stainless steel cap  
30543



Flexible suspension  
2-99.5550



Cable gland  
HSK-M-Ex  
M25x1,5 / M20x1,5



Cable gland  
M20x1,5 / M25x1,5





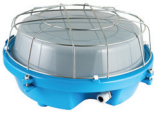

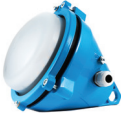







Nut  
M20x1,5 / M25x1,5



Screw plug  
V-MS-VMQ-Ex  
M25x1,5 / M20x1,5



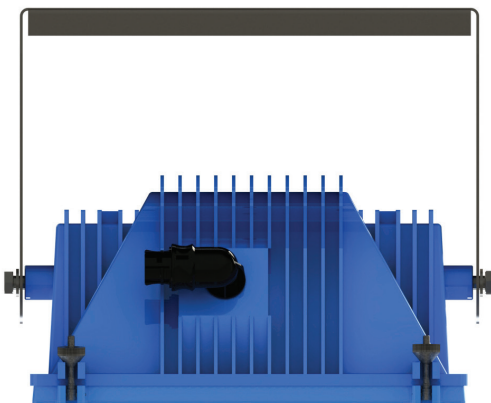
	HALSPOT I LED	16
	HALSPOT II LED	17
	TUNNEL LED	18
	TAURUS LED	19
	FARMER I LED	20
	FARMER I LED PRO	22
	FARMER II LED	24
	MULTIFREEZE LED	25
	PEGAS LED	26
	PEGAS LED PRO	27
	JUNIOR LED	28
	JUNIOR LED PRO	29
	TUB LED	30
	TUB LED PRO	31
	TURTLE LED	32
	TURTLE LED PRO	33
	ŠACHO LED	34
	MERIDIAN LED	35
	PRACHO PLA LED	36
	SPARE PARTS	38
	LUMINAIRES CONFIGURATOR	40



# INDUSTRIAL LUMINAIRES

# HALSPOT I LED

Luminaire for lighting industrial and sports halls, sports areas, stadiums, public spaces, monuments, building facades, advertising billboards, construction sites, parking places, etc.



## TECHNICAL DESCRIPTION

The body and flange of the luminaire are AlSi alloy castings with a powder coated finish. The optical cover is made of tempered glass. There is one cable gland (quick connector) on the back of the housing. An LED module is integrated inside the luminaire. The bracket allows the headlamp to be rotated to the desired position. The maximum cross-section of the connecting wires is 2,5 mm<sup>2</sup>. The luminaire is manufactured with a plastic gland as standard.

## INSTALLATION

On the ceiling, on a wall or on another solid substrate (structure) ensuring a firm connection.

## VERSIONS

The luminaires are equipped with self-resetting thermal fuse and surge protection up to 10kV.

## DRIVER FUNCTIONS

e CLO, ITG, IVG+, NFC, ETM+NTC, inputDIM

## LIFETIME

100.000 hours, L90B10

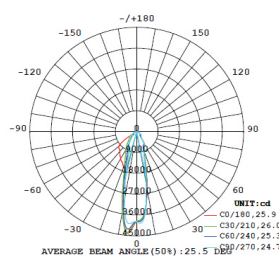
## CONTROL

DALI-2

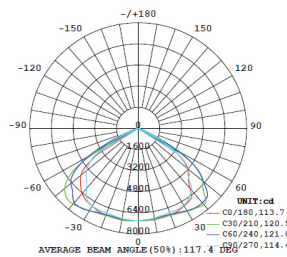
CE	LED	198 - 264V AC 176 - 280V DC
IP66	50 Hz 60 Hz	Ta -40°C ÷ +55°C - 793 01 01 -40°C ÷ +60°C - 793 01 02, 03
Carton (mm/pcs) 350 x 350 x 200 / 1		

Type	Power input [W] / Luminous flux [lm]	Luminous efficiency [lm/W]	Angle of beam [°]	Colour temperature [K]	CRI	Weight [kg]
793 01 01	100 / 14 000	140	120 / 60 / Asymmetric	4000, 5000, 5700, 6500	>80	8
793 01 02	75 / 10 730	143	120 / 60 / Asymmetric	4000, 5000, 5700, 6500	>80	8
793 01 03	50 / 7 250	145	120 / 60 / Asymmetric	4000, 5000, 5700, 6500	>80	8

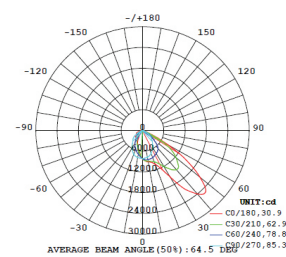
## LUMINOUS CURVES



Symmetrical - narrow



Symmetrical - wide



Asymmetric

## MAXIMUM CIRCUIT BREAKER LOAD AND NUMBER OF LUMINAIRES CONNECTED IN SERIES

Circuit breaker	C10	C13	C16	C20	B10	B13	B16	B20
Amount of luminaires max	5	7	8	10	3	4	5	6
Conductor cross-section	1,5	1,5	2,5	4	1,5	1,5	2,5	4

Starting current Imax	time
65A	268us

\* Actual values may vary due to the types of circuit breakers used and the installation environment.



# HALSPOT II LED

Luminaire for lighting industrial and sports halls, sports areas, stadiums, public spaces, monuments, building facades, advertising billboards, construction sites, parking places, etc.



## TECHNICAL DESCRIPTION

The body and flange of the luminaire are AlSi alloy castings with a powder coated finish. The optical cover is made of tempered glass. There is one cable gland (quick connector) on the back of the housing. An LED module is integrated inside the luminaire. The bracket allows the headlamp to be rotated to the desired position. The maximum cross-section of the connecting wires is 2,5 mm<sup>2</sup>. The luminaire is manufactured with a plastic gland as standard.

## INSTALLATION

On the ceiling, on a wall or on another solid substrate (structure) ensuring a firm connection.

## VERSIONS

The luminaires are equipped with self-resetting thermal fuse and surge protection up to 10kV

## DRIVER FUNCTIONS

e CLO, ITG, IVG+, NFC, ETM+NTC, inputDIM

## LIFETIME

100.000 hours, L90B10

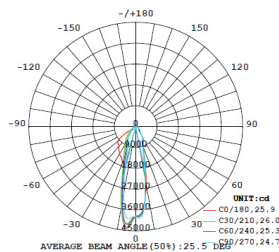
## CONTROL

DALI-2

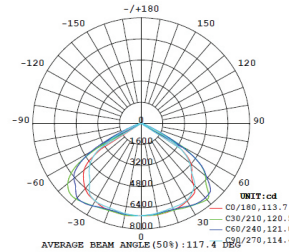
CE	LED	198 - 264V AC 176 - 280V DC
IP66	50 Hz 60 Hz	Ta -40°C ÷ +50°C - 793 04 01 -40°C ÷ +55°C - 793 04 02, 03
Carton (mm/pcs) 460 x 570 x 285 / 1		

Type	Power input [W] / Luminous flux [lm]	Luminous efficiency [lm/W]	Angle of beam [°]	Colour temperature [K]	CRI	Weight [kg]
793 04 01	250 / 32 849	131	120 / 60 / Asymmetric	4000, 5000, 5700, 6500	>80	14
793 04 02	200 / 26 913	135	120 / 60 / Asymmetric	4000, 5000, 5700, 6500	>80	14
793 04 03	150 / 21 136	139	120 / 60 / Asymmetric	4000, 5000, 5700, 6500	>80	14

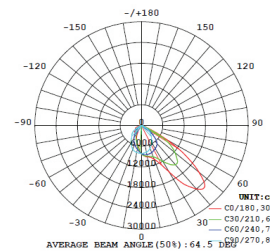
## LUMINOUS CURVES



Symmetrical - narrow



Symmetrical - wide



Asymmetric

## MAXIMUM CIRCUIT BREAKER LOAD AND NUMBER OF LUMINAIRES CONNECTED IN SERIES

Circuit breaker	C10	C13	C16	C20	B10	B13	B16	B20
Amount of luminaires max	2	3	4	5	1	2	3	3
Conductor cross-section	1,5	1,5	2,5	4	1,5	1,5	2,5	4

Starting current I <sub>max</sub>	time
65A	268us

\* Actual values may vary due to the types of circuit breakers used and the installation environment.

# TUNNEL LED



Luminaire for illuminating road tunnels, underpasses and industrial areas such as halls, warehouses, workshops and petrol stations with high concentrations of aggressive chemicals and dusts.

### TECHNICAL DESCRIPTION

The body and frame of the luminaire are made of chemically highly resistant, polished stainless steel sheet. Protective tempered glass with a thickness of 5 mm is glued into the frame. High dust-tightness and resistance to the ingress of unwanted moisture is ensured by the leak-proof connection between the frame and the body by means of a silicone seal in the body groove. The frame is firmly attached to the body by four stainless steel clips. Two clips ensure that the frame is loosely hinged under the body during installation. The reflector is made of chemically polished Al sheet. The luminaire is equipped with two plastic cable glands M25x1,5. The maximum cross-section of the connecting wires is 4 mm<sup>2</sup>. The luminaire is designed as a pass-through blind cable gland.

### INSTALLATION

On the ceiling, on a wall or on another solid substrate (structure) ensuring a firm connection.

### VERSIONS

The luminaires are equipped with a self-resetting thermal fuse and surge protection up to 10kV.

### DRIVER FUNCTIONS

e CLO, ITG, IVG+, NFC, ETM+NTC, inputDIM

### LIFETIME

120.000 hours, L90B10

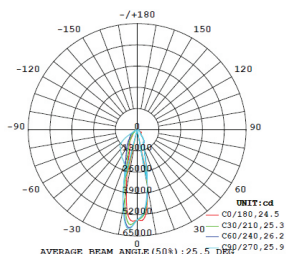
### CONTROL

DALI-2

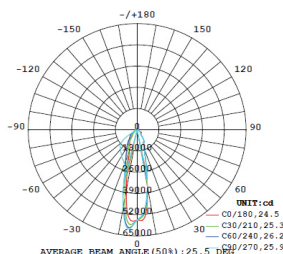
CE	⊕	LED	IP66
50 Hz	60 Hz	198 - 264V AC	176 - 280V DC
T <sub>a</sub>			
-40°C ÷ +50°C - 691 04 01, 02			
-40°C ÷ +55°C - 691 04 03, 691 04 04			

Type	Power input [W] / Luminous flux [lm]	Luminous efficiency [lm/W]	Angle of beam [°]	Colour temperature [K]	CRI	Weight [kg]
691 04 01	300 / 39 379	132	60 / 120 / Asymmetric	4000, 5000, 5700, 6500	>80	21
691 04 02	250 / 34 299	136	60 / 120 / Asymmetric	4000, 5000, 5700, 6500	>80	21
691 04 03	200 / 27 368	136	60 / 120 / Asymmetric	4000, 5000, 5700, 6500	>80	21
691 04 04	150 / 21 595	141	60 / 120 / Asymmetric	4000, 5000, 5700, 6500	>80	21

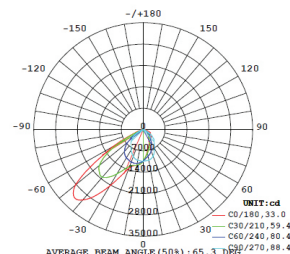
### LUMINOUS CURVES



Symmetrical - narrow



Symmetrical - wide



Asymmetric

### MAXIMUM CIRCUIT BREAKER LOAD AND NUMBER OF LUMINAIRES CONNECTED IN SERIES

Circuit breaker	C10	C13	C16	C20	B10	B13	B16	B20
Amount of luminaires max	4	5	7	9	3	4	5	7
Conductor cross-section	1,5	1,5	2,5	4	1,5	1,5	2,5	4

Starting current I <sub>max</sub>	time
80A	250us

\* Actual values may vary due to the types of circuit breakers used and the installation environment.

Light fitting for the illumination of heavy indoor and outdoor industrial spaces with a high level of mechanical stress.



### TECHNICAL DESCRIPTION

The body and flange of the light fitting are AlSi alloy castings finished with RAL 5012 powder paint. The optical cover is made of tempered glass. A steel suspension with eyes is fixed to the top part of the body. There are two cable outlets on the sides of the light fitting. The steel base plate with electrical equipment and reflector is built inside the light fitting. The light fitting is designed as a through light fitting, for two phase alternation (four-core cable). When the light fitting is used as a terminal light fitting, the free cable outlet is blinded with a plug. The max. cross-section of the connecting conductors is 4 mm<sup>2</sup>. The light fitting is produced with plastic cable gland as standard, metal gland is available on request.

### INSTALLATION

With steel suspensions with eyes  $\varnothing 16$  mm.

### VERSIONS

Standard light fittings are available with cable outlets M25x1,5, optionally with cable outlets M20x1,5

### DRIVER FUNCTIONS

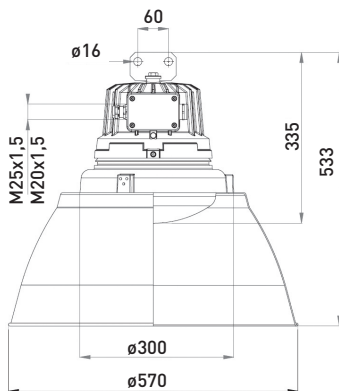
e CLO, ITG, IVG+, NFC, ETM+NTC, inputDIM

### LIFETIME

100.000 hours, L90B10

### CONTROL

DALI-2



CE	LED	IP66	ATEX 2014/34/EU
50 Hz 60 Hz	198 - 264V AC 176 - 280V DC	$T_a$ -40°C ÷ +50°C - 591 46 01 -40°C ÷ +55°C - 591 46 02 -40°C ÷ +60°C - 591 46 03	
Carton (mm/pcs) 350 x 350 x 340 / 1			

Type	Power input [W] / Luminous flux [lm]	Luminous efficiency [lm/W]	Angle of beam [°]	Colour temperature [K]	CRI	Weight [kg]
591 46 01 (K)	100 / 15025	150	120	4000, 5000, 5700, 6500	>80	15
591 46 02 (K)	75 / 11475	153	120	4000, 5000, 5700, 6500	>80	15
591 46 03 (K)	65 / 9750	150	120	4000, 5000, 5700, 6500	>80	14

\*By adding letter „K” behind type designation, light fittings will be provided with protective steel baskets (591 46 01K).

### MAXIMUM CIRCUIT BREAKER LOAD AND NUMBER OF LUMINAIRES CONNECTED IN SERIES (half load for types 591 46 01, 591 46 02)

Circuit breaker	C10	C13	C16	C20	B10	B13	B16	B20
Amount of luminaires max	10	13	17	22	6	8	10	13
Conductor cross-section	1,5	1,5	2,5	4	1,5	1,5	2,5	4

Starting current I <sub>max</sub>	time
41.6A	238us

\* Actual values may vary due to the types of circuit breakers used and the installation environment.

### TO ORDER



Shade  
254.5021/01



Protective basket  
2-99.6325



Holder for mounting  
on the ceiling  
4-99.7995



Holder for mounting  
on the wall  
338.2735



Key  
3-99.6159

# FARMER I LED

Light fitting for the illumination of indoor and outdoor industrial spaces.

### TECHNICAL DESCRIPTION

The body is made of steel sheet and finished with powder paint. The inorganic glass cover with seal and protective basket are fixed to the body with four metal caps. There is a LED module built inside the light fitting and it is comprised of a board fitted with LEDs and a power supply. According to the individual types, the light fitting includes: an ALSi terminal box, a steel pipe, or a galvanized steel sheet boom. The light fitting is made as a through light fitting and is provided with two cable outlets. The max. cross-section of the connecting conductors is 4 mm<sup>2</sup>. The light fitting is produced with plastic cable gland as standard, metal gland is available on request.

### INSTALLATION

On the ceiling, wall.

### VERSIONS

Optional version of light fittings with reinforced corrosion protection – version „pz”, version with a protective steel basket – version „K”, version with a protective polycarbonate basket and stainless-steel caps – version „p”. Light fittings are provided with a self-resetting thermal fuse and surge guard up to 3 kV.

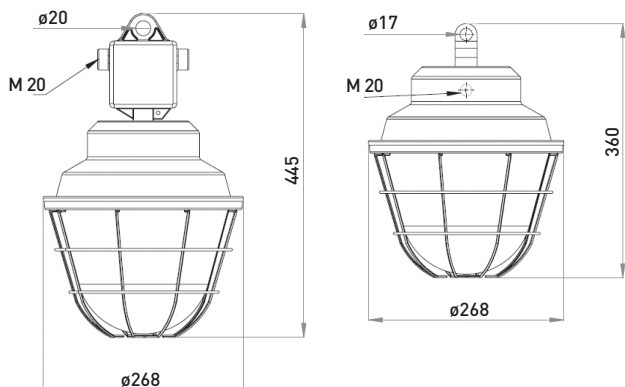
### LIFETIME

50.000 hours, L80B20



591 36 01K

591 36 02K



CE	⊕	IP54 of 591 36 01 IP66 of 591 36 02
LED	198 - 264V AC 176 - 276V DC	Ta -30°C ÷ +40°C
Carton (mm/pcs) 1000 x 280 x 280 / 1 650 x 280 x 280 / 2 650 x 320 x 280 / 2		

Type	Power input [W] / Luminous flux [lm]	Luminous efficiency [lm/W]	Angle of beam [°]	Colour temperature [K]	CRI	Part of light fitting	Weight [kg]
591 36 01 (K)	30 / 4300	144	120	4000, 5000, 5700, 6500	>80	Terminal box	4,8
591 36 02 (K)	30 / 4300	144	120	4000, 5000, 5700, 6500	>80	Holder	4,8

\*By adding the letter „K” after the type designation, the light fittings will be provided with protective baskets (591 36 01 K).

\*\*By adding the letter „p” after the type designation, the light fittings will be made with protective polycarbonate baskets and stainless-steel caps – for harsh conditions (591 36 01 p).

\*\*\*By adding the letters „pz” after the type designation, the light fittings will be made with reinforced corrosion protection – for extra harsh conditions (591 36 01 Kpz).

### MAXIMUM CIRCUIT BREAKER LOAD AND NUMBER OF LUMINAIRES CONNECTED IN SERIES

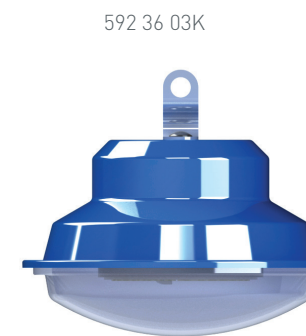
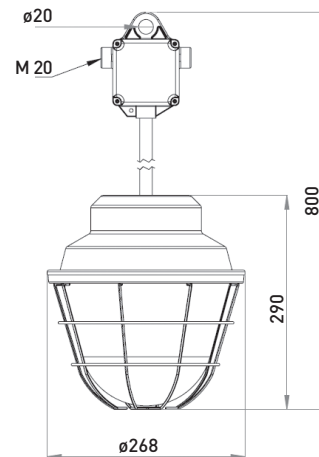
Circuit breaker	B16
Amount of luminaires max	50
Conductor cross-section	2,5

Starting current I <sub>max</sub>	time
5A	50us

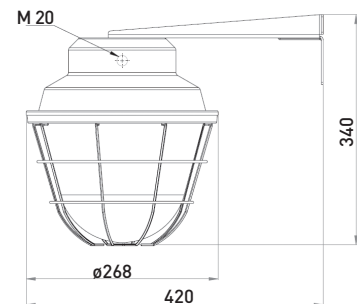
\* Actual values may vary due to the types of circuit breakers used and the installation environment.



593 36 04K



592 36 03K



## COMING SOON

Low glass for all versions of the FARMER luminaire.

CE		50 Hz 60 Hz	198 - 264V AC 176 - 276V DC
IP54 of 592 36 03 IP66 of 593 36 04		LED	Ta -30°C ÷ +40°C
Carton (mm/pcs)		1000 x 280 x 280 / 1 650 x 280 x 280 / 2 650 x 320 x 280 / 2	

Type	Power input [W] / Luminous flux [lm]	Luminous efficiency [lm/W]	Angle of beam [°]	Colour temperature [K]	CRI	Part of light fitting	Weight [kg]
592 36 03 (K)	30 / 4300	144	120	4000, 5000, 5700, 6500	>80	Pipe and terminal box	4,8
593 36 04 (K)	30 / 4300	144	120	4000, 5000, 5700, 6500	>80	Boom	4,8

\*By adding the letter „K” after the type designation, the light fittings will be provided with protective baskets (591 36 01 K).

\*\*By adding the letter „p” after the type designation, the light fittings will be made with protective polycarbonate baskets and stainless-steel caps – for harsh conditions (591 36 01 p).

\*\*\*By adding the letters „pz” after the type designation, the light fittings will be made with reinforced corrosion protection – for extra harsh conditions (591 36 01 Kpz).

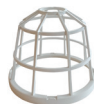
### TO ORDER



Glass cover  
232.5068/1



Protective steel  
basket  
1-99.6231



Protective basket  
polycarbonate 182.2540  
PMMA 182.5005



Stainless steel cap  
4-99.6180/01



Metal cap  
4-99.8470/01

# FARMER I LED PRO

Light fitting for the illumination of indoor and outdoor industrial spaces.

## TECHNICAL DESCRIPTION

The body is made of steel sheet and finished with powder paint. The inorganic glass cover with seal and protective basket are fixed to the body with four metal caps. There is a LED module built inside the light fitting and it is comprised of a board fitted with LEDs and a power supply. According to the individual types, the light fitting includes: an AISi terminal box, a steel pipe, or a galvanized steel sheet boom. The light fitting is made as a through light fitting and is provided with two cable outlets. The max. cross-section of the connecting conductors is 4 mm<sup>2</sup>. The light fitting is produced with plastic cable gland as standard, metal gland is available on request.

INSTALLATION On the ceiling, wall.

## VERSIONS

Optional version of light fittings with reinforced corrosion protection – version „pz“, version with a protective steel basket – version „K“, version with a protective polycarbonate basket and stainless-steel caps – version „p“. Light fittings are provided with a self-resetting thermal fuse and surge guard up to 10 kV.

## LIFETIME

100.000 hours, L90B10

## DRIVER FUNCTIONS

e CLO, ITG, IVG+, NFC, ETM+NTC, inputDIM

## CONTROL

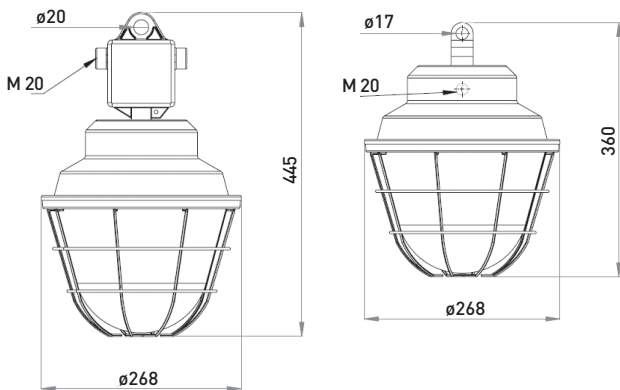
DALI-2



591 36 01K PRO  
591 37 01K PRO



591 36 02K PRO  
591 37 02K PRO



CE	LED	198 - 264V AC 176 - 276V DC	IP54 of 591 36 01 PRO IP66 of 591 36 02 PRO IP54 of 591 37 01 PRO IP66 of 591 37 02 PRO
Ta			
-40°C ÷ +50°C - 591 37 0x PRO			
-40°C ÷ +60°C - 591 36 0x PRO			
<b>Carton (mm/pcs)</b>		1000 x 280 x 280 / 1	
		650 x 280 x 280 / 2	
		650 x 320 x 280 / 2	

Type	Power input [W] / Luminous flux [lm]	Luminous efficiency [lm/W]	Angle of beam [°]	Colour temperature [K]	CRI	Part of light fitting	Weight [kg]
591 36 01 (K) PRO	30 / 4620	154	120	4000, 5000, 5700, 6500	>80	Terminal box	4,8
591 36 02 (K) PRO	30 / 4620	154	120	4000, 5000, 5700, 6500	>80	Holder	4,8
591 37 01 (K) PRO	45 / 6550	146	120	4000, 5000, 5700, 6500	>80	Terminal box	4,8
591 37 02 (K) PRO	45 / 6550	146	120	4000, 5000, 5700, 6500	>80	Holder	4,8

\* / \*\* / \*\*\*

### MAXIMUM CIRCUIT BREAKER LOAD AND NUMBER OF LUMINAIRES CONNECTED IN SERIES for 59x 36 0x PRO

Circuit breaker	C10	C13	C16	C20	B10	B13	B16	B20
Amount of luminaires max	20	26	33	43	12	16	20	26
Conductor cross-section	1,5	1,5	2,5	4	1,5	1,5	2,5	4

### MAXIMUM CIRCUIT BREAKER LOAD AND NUMBER OF LUMINAIRES CONNECTED IN SERIES for 59x 37 0x PRO

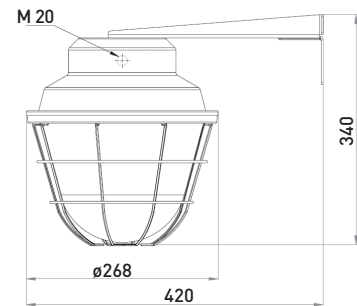
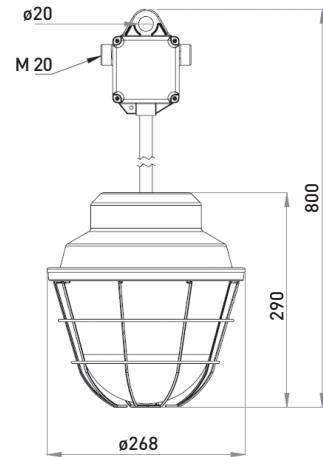
Circuit breaker	C10	C13	C16	C20	B10	B13	B16	B20
Amount of luminaires max	10	13	17	22	6	8	10	13
Conductor cross-section	1,5	1,5	2,5	4	1,5	1,5	2,5	4

Starting current Imax	time
24.88A	236us
41.6A	238us

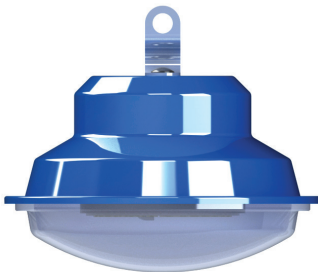
\* Actual values may vary due to the types of circuit breakers used and the installation environment.



593 36 04K PRO  
593 37 04K PRO



592 36 03K PRO  
592 37 03K PRO



### COMING SOON

Low glass for all versions of the FARMER luminaire.

CE	⏚	LED	198 - 264V AC 176 - 276V DC	IP54 of 592 36 03 PRO IP66 of 592 37 03 PRO
Ta			-40°C ÷ +50°C - 59x 37 0x PRO -40°C ÷ +60°C - 59x 36 0x PRO	IP54 of 593 36 04 PRO IP66 of 593 37 04 PRO
Carton (mm/pcs)			1000 x 280 x 280 / 1 650 x 280 x 280 / 2 650 x 320 x 280 / 2	

Type	Power input [W] / Luminous flux [lm]	Luminous efficiency [lm/W]	Angle of beam [°]	Colour temperature [K]	CRI	Part of light fitting	Weight [kg]
592 36 03 (K) PRO	30 / 4620	154	120	4000, 5000, 5700, 6500	>80	Pipe and terminal box	4,8
593 36 04 (K) PRO	30 / 4620	154	120	4000, 5000, 5700, 6500	>80	Boom	4,8
592 37 03 (K) PRO	45 / 6550	146	120	4000, 5000, 5700, 6500	>80	Pipe and terminal box	4,8
593 37 04 (K) PRO	45 / 6550	146	120	4000, 5000, 5700, 6500	>80	Boom	4,8

\*By adding the letter „K” after the type designation, the light fittings will be provided with protective baskets (591 36 01 K).

\*\*By adding the letter „p” after the type designation, the light fittings will be made with protective polycarbonate baskets and stainless-steel caps – for harsh conditions (591 36 01 p).

\*\*\*By adding the letters „pz” after the type designation, the light fittings will be made with reinforced corrosion protection – for extra harsh conditions (591 36 01 Kpz).

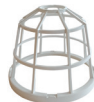
### TO ORDER



Glass cover  
232.5068/1



Protective steel basket  
1-99.6231



Protective basket polycarbonate 182.2540  
PMMA 182.5005



Stainless steel cap  
4-99.6180/01



Metal cap  
4-99.8470/01

# FARMER II LED

Light fitting for the illumination of indoor and outdoor industrial spaces.

### TECHNICAL DESCRIPTION

The body is made of steel sheet and finished with powder paint. The inorganic glass cover with seal and protective basket are fixed to the body with four metal caps. There is a LED module built inside the light fitting and it is comprised of a board fitted with LEDs and a power supply. According to the individual types, the light fitting includes: an AISi terminal box, a steel pipe, or a galvanized steel sheet boom. The light fitting is made as a through light fitting and is provided with two cable outlets. The max. cross-section of the connecting conductors is 4 mm<sup>2</sup>. The light fitting is produced with plastic cable gland as standard, metal gland is available on request.

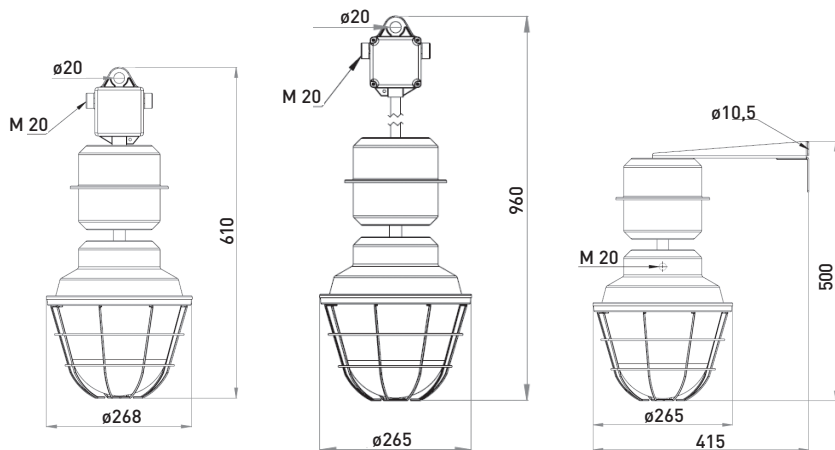
### INSTALLATION

On the ceiling, wall.

### VERSIONS

Optional version of light fittings with reinforced corrosion protection – version „pz“, version with a protective steel basket – version „K“, version with a protective polycarbonate basket and stainless-steel caps – version „p“. Light fittings are provided with a self-resetting thermal fuse and surge guard up to 3 kV.

LIFETIME: 50.000 hours, L80B20



CE		198 - 264V AC 176 - 276V DC
IP54		Ta -35°C ÷ +40°C
Carton (mm/pcs)		1000 x 280 x 280 / 2 650 x 280 x 280 / 1 590 x 490 x 260 / 2

Type	Part of light fitting	Power input [W] / Luminous flux [lm]	Luminous efficiency [lm/W]	Angle of beam [°]	Colour temperature [K]	CRI	Weight [kg]
591 37 01 (K)	Terminal box	45 / 6480	144	120	4000, 5000, 5700, 6500	>80	8
592 37 03 (K)	Pipe and terminal box						
593 37 04 (K)	Boom						

\*/\*\*/\*\*

### MAXIMUM CIRCUIT BREAKER LOAD AND NUMBER OF LUMINAIRES CONNECTED IN SERIES

Circuit breaker	B16
Amount of luminaires max	25
Conductor cross-section	2,5

Starting current I <sub>max</sub>	time
5A	50us

\* Actual values may vary due to the types of circuit breakers used and the installation environment.

### TO ORDER



Glass cover  
232.5068/1



Protective steel basket  
1-99.6231



Protective basket polycarbonate  
182.2540 PMMA 182.5005



Stainless steel cap  
4-99.6180/01



Metal cap  
4-99.8470/01



Blinding plug  
M20x1,5



# MULTIFREEZE LED

Light fitting for the illumination of indoor and outdoor industrial spaces.



## TECHNICAL DESCRIPTION

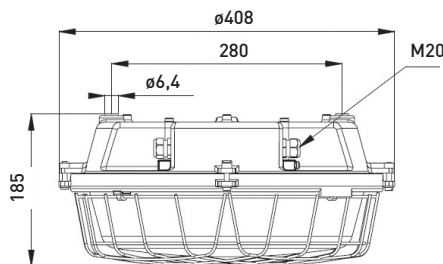
The light fitting body and flange are AlSi alloy castings finished with powder paint. There are two cable outlets M20 x 1,5 on the sides of the light fitting. There is a LED module built inside the light fitting and it is comprised of a board fitted with LEDs and a power supply. The light fitting is designed as a through light fitting. When the light fitting is used as a terminal light fitting, the free cable outlet is blinded with a plug. The light fitting is produced with plastic cable glands as a standard, metal cable glands are available on request.

## INSTALLATION

On the ceiling, wall or another solid substrate (structure) ensuring firm connection.

## VERSIONS

Light fittings are made in versions for permanent (M) and non-permanent (NM) emergency illumination, with autonomy of 1 hours.



CE	LED	220 - 240V AC 190 - 245V DC
IP66	EMERGENCY	230V 50Hz
		Ta -30°C ÷ +50°C
Carton (mm/pcs) 400 x 400 x 190 / 1		

Type	Power input LED [W] / Total power input [W]	Light source	Version	Autonomy [hr]	Weight [kg]
591 35 01 FEM	11 / 20	6 x LED	M / NM	1	8

## TO ORDER



Transparent glass cover  
31157



Protective basket  
1-99.8534/1



Cable gland plastic  
M20x1,5



Cable gland metal  
M20x1,5



Blinding plug  
M20x1,5

# PEGAS LED

Light fitting for the illumination of heavy indoor and outdoor industrial spaces with a high level of mechanical stress.



## TECHNICAL DESCRIPTION

The light fitting body and flange are AlSi alloy castings finished with powder paint. The optical cover is made of tempered glass. A steel suspension with an eye is fixed to the top part of the body. There are two cable outlets on the light fitting sides. There is a LED module built inside the light fitting and it is comprised of a board fitted with LEDs and a power supply. The light fitting is designed as a through light fitting, for three-phase connection (five-core cable). When the light fitting is used as a terminal light fitting, the free cable outlet is blinded with a plug. The max. cross-section of the connecting conductors is 4 mm<sup>2</sup>. The light fitting is produced with plastic cable gland as standard, metal gland is available on request.

## INSTALLATION

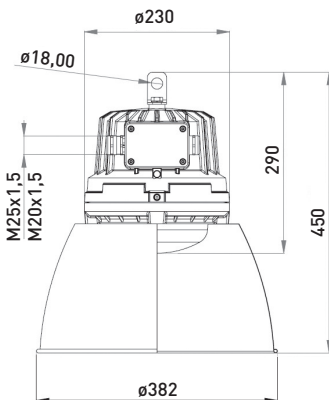
With a steel suspension with an eye  $\varnothing 18$  mm.

## VERSIONS

Light fittings are provided with a self-resetting thermal fuse and surge guard up to 3,75 kV. Standard light fittings are available with cable outlets M25x1.5, optionally with cable outlets M20x1.5

## LIFETIME

50.000 hours, L80B20



CE	⊕	LED	198 - 264V AC 176 - 280V DC
IP66	50 Hz 60 Hz	Ta -30°C ÷ +40°C	
Carton (mm/pcs) 300 x 250 x 270 / 1			

Type	Power input [W] / Luminous flux [lm]	Luminous efficiency [lm/W]	Angle of beam [°]	Colour temperature [K]	CRI	Weight [kg]
591 41 01 (K)	45 / 6000	133	120	4000, 5000, 5700, 6500	>80	10
591 41 02 (K)	30 / 3970	132	120	4000, 5000, 5700, 6500	>80	10

\*By adding letter „K“ behind type designation, light fittings will be provided with protective steel baskets (591 41 01K).

## MAXIMUM CIRCUIT BREAKER LOAD AND NUMBER OF LUMINAIRES CONNECTED IN SERIES

Circuit breaker	B16
Amount of luminaires max	25
Conductor cross-section	2,5

Starting current I <sub>max</sub>	time
5A	50us

\* Actual values may vary due to the types of circuit breakers used and the installation environment.

## TO ORDER



Shade  
254.5021/01



Holder for mounting  
on the ceiling  
4-99.7995



Key  
3-99.6158/1

# PEGAS LED PRO

Light fitting for the illumination of indoor and outdoor industrial spaces.



## TECHNICAL DESCRIPTION

The light fitting body and flange are AlSi alloy castings finished with powder paint. The optical cover is made of tempered glass. A steel suspension with an eye is fixed to the top part of the body. There are two cable outlets on the light fitting sides. There is a LED module built inside the light fitting and it is comprised of a board fitted with LEDs and a power supply. The light fitting is designed as a through light fitting, for threephase connection (five-core cable). When the light fitting is used as a terminal light fitting, the free cable outlet is blinded with a plug. The max. cross-section of the connecting conductors is 4 mm<sup>2</sup>. The light fitting is produced with plastic cable gland as standard, metal gland is available on request.

## INSTALLATION

With a steel suspension with an eye  $\varnothing 18$  mm.

## VERSIONS

Light fittings are provided with a self-resetting thermal fuse and surge guard up to 10 kV. Standard light fittings are available with cable outlets M25x1.5, optionally with cable outlets M20x1.5

## DRIVER FUNCTIONS

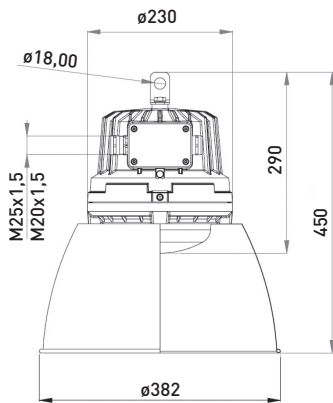
e CLO, ITG, IVG+, NFC, ETM+NTC, inputDIM

## LIFETIME

100.000 hours, L90B10

## CONTROL

DALI-2



CE	LED	198 - 264V AC 176 - 280V DC
IP66	50 Hz 60 Hz	Ta -40°C ÷ +50°C
Carton (mm/pcs) 300 x 250 x 270 / 1		

Type	Power input [W] / Luminous flux [lm]	Luminous efficiency [lm/W]	Angle of beam [°]	Colour temperature [K]	CRI	Weight [kg]
591 41 01 (K) PRO	50 / 7165	143	120	4000, 5000, 5700, 6500	>80	10
591 41 02 (K) PRO	30 / 4365	146	120	4000, 5000, 5700, 6500	>80	10

\*By adding letter „K” behind type designation, light fittings will be provided with protective steel baskets (591 41 01K PRO).

## MAXIMUM CIRCUIT BREAKER LOAD AND NUMBER OF LUMINAIRES CONNECTED IN SERIES

Circuit breaker	C10	C13	C16	C20	B10	B13	B16	B20
Amount of luminaires max	10	13	16	21	6	8	10	13
Conductor cross-section	1,5	1,5	2,5	4	1,5	1,5	2,5	4

Starting current I <sub>max</sub>	time
32A	355us

\* Actual values may vary due to the types of circuit breakers used and the installation environment.

## TO ORDER



Shade  
254.5021/01



Holder for mounting  
on the ceiling  
4-99.7995



Key  
3-99.6158/1

# JUNIOR LED

Light fitting for the illumination of heavy indoor and outdoor industrial spaces with a high level of mechanical stress.



## TECHNICAL DESCRIPTION

The light fitting body and flange are AlSi alloy castings finished with powder paint. The optical cover is made of tempered glass. There are two cable outlets on the light fitting sides. There is a LED module built inside the light fitting and it is comprised of a board fitted with LEDs and a power supply. The light fitting is designed as a through light fitting, for three-phase connection (five-core cable). When the light fitting is used as a terminal light fitting, the free cable outlet is blinded with a plug. The max. cross-section of the connecting conductors is 4 mm<sup>2</sup>. The light fitting is produced with plastic cable gland as standard, metal gland is available on request.

## INSTALLATION

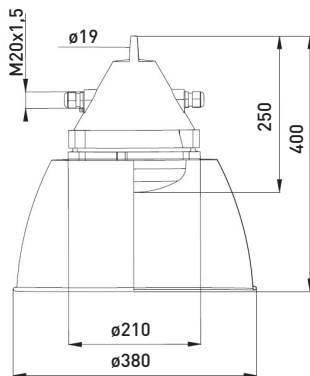
With a suspension eye  $\varnothing 20$  mm, ceiling holder 4-99.7995, flexible suspension 2-99.5550

## VERSIONS

Light fittings are provided with a self-resetting thermal fuse and surge guard up to 3kV.

## LIFETIME

50.000 hours, L80B20



CE	LED	198 - 264V AC 176 - 280V DC
IP66	50 Hz 60 Hz	Ta -30°C ÷ +40°C
Carton (mm/pcs) 240 x 240 x 260 / 1		

Type	Power input [W] / Luminous flux [lm]	Luminous efficiency [lm/W]	Angle of beam [°]	Colour temperature [K]	CRI	Weight [kg]
591 15 01 (K)	30 / 3880	129	120	4000, 5000, 5700, 6500	>80	6
591 15 02 (K)	20 / 2600	130	120	4000, 5000, 5700, 6500	>80	6

\*By adding letter „K” behind type designation, light fittings will be provided with protective steel baskets (591 15 01K).

## MAXIMUM CIRCUIT BREAKER LOAD AND NUMBER OF LUMINAIRES CONNECTED IN SERIES

Circuit breaker	B16	Starting current I <sub>max</sub>	time
Amount of luminaires max	50	5A	50us
Conductor cross-section	2,5		

\* Actual values may vary due to the types of circuit breakers used and the installation environment.

## TO ORDER



Shade  
254.5021/01



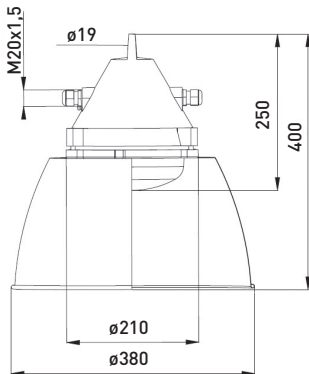
Holder ofr mounting  
on the ceiling  
4-99.7995



Flexible suspension  
2-99.5550

# JUNIOR LED PRO

Light fitting for the illumination of heavy indoor and outdoor industrial spaces with a high level of mechanical stress.



## TECHNICAL DESCRIPTION

The light fitting body and flange are AlSi alloy castings finished with powder paint. The optical cover is made of tempered glass. There are two cable outlets on the light fitting sides. There is a LED module built inside the light fitting and it is comprised of a board fitted with LEDs and a power supply. The light fitting is designed as a through light fitting, for three-phase connection (five-core cable). When the light fitting is used as a terminal light fitting, the free cable outlet is blinded with a plug. The max. cross-section of the connecting conductors is 4 mm<sup>2</sup>. The light fitting is produced with plastic cable gland as standard, metal gland is available on request.

## INSTALLATION

## VERSIONS

With a suspension eye  $\varnothing 20$  mm, ceiling holder 4-99.7995, flexible suspension 2-99.5550

## DRIVER FUNCTIONS

e CLO, ITG, IVG+, NFC, ETM+NTC, inputDIM

## LIFETIME

100.000 hours, L90B10

## CONTROL

DALI-2

CE	LED	198 – 264V AC 176-280V DC
IP66	50 Hz 60 Hz	Ta -40°C ÷ +50°C
Carton (mm/pcs) 240 x 240 x 260 / 1		

Type	Power input [W] / Luminous flux [lm]	Luminous efficiency [lm/W]	Angle of beam [°]	Colour temperature [K]	CRI	Weight [kg]
591 15 01 (K) PRO	35 / 4786	137	120	4000, 5000, 5700, 6500	>80	6
591 15 02 (K) PRO	25 / 3533	141	120	4000, 5000, 5700, 6500	>80	6
591 15 03 (K) PRO	15 / 2179	143	120	4000, 5000, 5700, 6500	>80	6

\*By adding letter „K” behind type designation, light fittings will be provided with protective steel baskets (591 15 01K).

## MAXIMUM CIRCUIT BREAKER LOAD AND NUMBER OF LUMINAIRES CONNECTED IN SERIES

Circuit breaker	C10	C13	C16	C20	B10	B13	B16	B20
Amount of luminaires max	20	26	33	43	12	16	20	26
Conductor cross-section	1,5	1,5	2,5	4	1,5	1,5	2,5	4

Starting current I <sub>max</sub>	time
24.88A	236us

\* Actual values may vary due to the types of circuit breakers used and the installation environment.

## TO ORDER



Shade  
254.5021/01



Holder ofr mounting  
on the ceiling  
4-99.7995



Flexible suspension  
2-99.5550

# TUB LED

Light fitting for the illumination of indoor and outdoor industrial spaces.



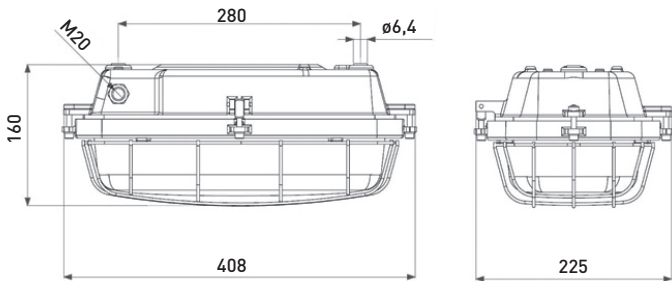
### TECHNICAL DESCRIPTION

The light fitting body and flange are AlSi alloy castings finished with powder paint. There are two cable outlets on the sides of the light fitting. There is a LED module built inside the light fitting and it is comprised of a board fitted with LEDs and a power supply. The light fitting is designed as a through light fitting. When the light fitting is used as a terminal light fitting, the free cable outlet is blinded with a plug. The max. cross-section of the connecting conductors is 2,5 mm<sup>2</sup>. The light fitting is produced with plastic cable glands as a standard, metal cable glands are available on request.

**INSTALLATION** On the ceiling, wall.

**VERSIONS** The light fittings are provided with a self-resetting thermal fuse and a surge guard up to 3kV. Light fittings, type 591 34 01EM, are made in versions for permanent (M) and non-permanent (NM) emergency illumination, with autonomy 3 hours. The luminaire 591 34 24 is powered by a 9-60V DC power supply.

**LIFETIME** 50.000 hours, L80B20



CE	LED	IP66	F	EMERGENCY
198 - 264V AC 176 - 276V DC 9-60V DC of 591 34 24 230V AC of „EM“			Ta -30°C ÷ +40°C +5°C ÷ +40°C „EM“ -25°C ÷ +45°C of 591 34 24	
Carton (mm/pcs) 415 x 235 x 210 / 1				

Type	Power input [W] / Luminous flux [lm]	Luminous efficiency [lm/W]	Angle of beam [°]	Colour temperature [K]	CRI	Weight [kg]
591 34 01	27 / 3426	126	120	4000, 5000, 5700, 6500	>80	6
591 34 02	19 / 2466	130	120	4000, 5000, 5700, 6500	>80	6
591 34 24	12 / 1446	120	120	4000, 5000, 5700, 6500	>80	6

Type	Power input [W] / Luminous flux [lm]	Light source	Version	Autonomy [h]	Weight [kg]
591 34 01 EM	10 / 300	3x LED	M/NM	3	4,9
591 34 02 EM	17 / 937	10x LED	M/NM	3	4,9

### MAXIMUM CIRCUIT BREAKER LOAD AND NUMBER OF LUMINAIRES CONNECTED IN SERIES

Circuit breaker	B16	Starting current I <sub>max</sub>	time
Amount of luminaires max	50		
Conductor cross-section	2,5	5A	50us

\* Actual values may vary due to the types of circuit breakers used and the installation environment.

### TO ORDER



Glass cover  
132.5069



Protective basket  
1-99.5992/1



Cable gland plastic  
M20x1,5



Cable gland metal  
M20x1,5



Blinding plug  
M20x1,5

# TUB LED PRO

Light fitting for the illumination of indoor and outdoor industrial spaces.



## TECHNICAL DESCRIPTION

The light fitting body and flange are AlSi alloy castings finished with powder paint. There are two cable outlets on the sides of the light fitting. There is a LED module built inside the light fitting and it is comprised of a board fitted with LEDs and a power supply. The light fitting is designed as a through light fitting. When the light fitting is used as a terminal light fitting, the free cable outlet is blinded with a plug. The max. cross-section of the connecting conductors is 2.5 mm<sup>2</sup>. The light fitting is produced with plastic cable glands as a standard, metal cable glands are available on request.

## INSTALLATION

On the ceiling, wall.

## VERSIONS

The light fittings are provided with a self-resetting thermal fuse and a surge guard up to 10kV.

## LIFETIME

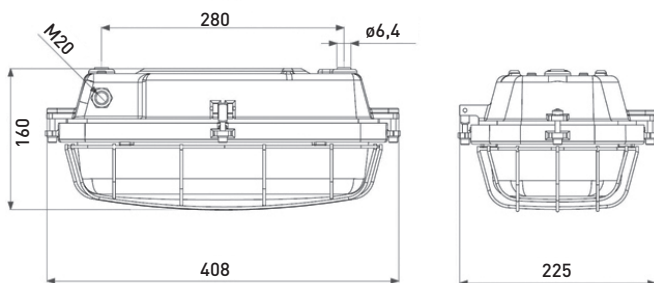
100.000 hours, L90B10

## DRIVER FUNCTIONS

e CLO, ITG, IVG+, NFC, ETM+NTC, inputDIM

## CONTROL

DALI-2



CE	LED	IP66	F
198 - 264V AC 176 - 276V DC		Ta -40°C ÷ + 50°C	
Carton (mm/pcs) 410 x 460 x 170 / 2			

Type	Power input [W] / Luminous flux [lm]	Luminous efficiency [lm/W]	Angle of beam [°]	Colour temperature [K]	CRI	Weight [kg]
591 34 01 PRO	30 / 4113	138	120	4000, 5000, 5700, 6500	>80	6
591 34 02 PRO	20 / 2921	144	120	4000, 5000, 5700, 6500	>80	6

## MAXIMUM CIRCUIT BREAKER LOAD AND NUMBER OF LUMINAIRES CONNECTED IN SERIES

Circuit breaker	C10	C13	C16	C20	B10	B13	B16	B20
Amount of luminaires max	20	26	33	43	12	16	20	26
Conductor cross-section	1,5	1,5	2,5	4	1,5	1,5	2,5	4

Starting current Imax	time
24.88A	236us

\* Actual values may vary due to the types of circuit breakers used and the installation environment.

## TO ORDER



Glass cover  
132.5069



Protective basket  
1-99.5992/1



Cable gland plastic  
M20x1,5



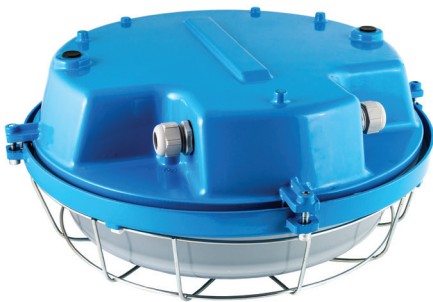
Cable gland metal  
M20x1,5



Blinding plug  
M20x1,5

# TURTLE LED

Light fitting for the illumination of indoor and outdoor industrial spaces.



## TECHNICAL DESCRIPTION

The light fitting body and flange are AlSi alloy castings finished with powder paint. There are two cable outlets on the sides of the light fitting. There is a LED module built inside the light fitting and it is comprised of a board fitted with LEDs and a power supply. The light fitting is designed as a through light fitting. When the light fitting is used as a terminal light fitting, the free cable outlet is blinded with a plug. The max. cross-section of the connecting conductors is 2,5 mm<sup>2</sup>. The light fitting is produced with plastic cable gland as standard, metal gland is available on request.

## INSTALLATION

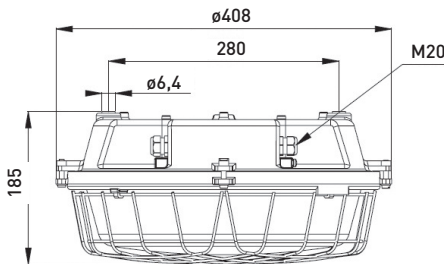
On the ceiling, wall or another solid substrate (structure) ensuring firm connection.

## VERSIONS

The light fittings are provided with a self-resetting thermal fuse and a surge guard up to 3kV.

## LIFETIME

50.000 hours, L80B20



CE	LED	198 - 264V AC 176 - 276V DC
IP66	F	Ta -30°C ÷ +40°C
Carton (mm/pcs) 400 x 400 x 190 / 1		

Type	Power input [W] / Luminous flux [lm]	Luminous efficiency [lm/W]	Angle of beam [°]	Colour temperature [K]	CRI	Weight [kg]
591 35 01	50 / 6473	130	120	4000, 5000, 5700, 6500	>80	8
591 35 02	30 / 4039	135	120	4000, 5000, 5700, 6500	>80	8
591 35 03	20 / 2709	135	120	4000, 5000, 5700, 6500	>80	8

## MAXIMUM CIRCUIT BREAKER LOAD AND NUMBER OF LUMINAIRES CONNECTED IN SERIES

Circuit breaker	C10	C13	C16	C20	B10	B13	B16	B20
Amount of luminaires max	20	26	33	43	12	16	20	26
Conductor cross-section	1,5	1,5	2,5	4	1,5	1,5	2,5	4

Starting current I <sub>max</sub>	time
24.88A	236us

\* Actual values may vary due to the types of circuit breakers used and the installation environment.

## TO ORDER



Transparent glass cover  
232.5070



Protective basket  
1-99.8534/1



Cable gland plastic  
M20x1,5



Cable gland metal  
M20x1,5

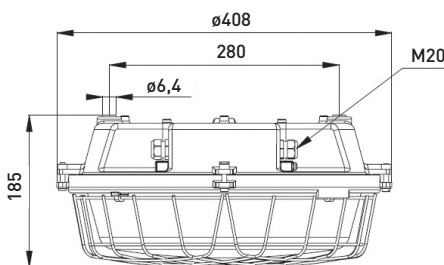


Blinding plug  
M20x1,5



# TURTLE LED PRO

Light fitting for the illumination of indoor and outdoor industrial spaces.



## TECHNICAL DESCRIPTION

The light fitting body and flange are AlSi alloy castings finished with powder paint. There are two cable outlets on the sides of the light fitting. There is a LED module built inside the light fitting and it is comprised of a board fitted with LEDs and a power supply. The light fitting is designed as a through light fitting. When the light fitting is used as a terminal light fitting, the free cable outlet is blinded with a plug. The max. cross-section of the connecting conductors is 2,5 mm<sup>2</sup>. The light fitting is produced with plastic cable gland as standard, metal gland is available on request.

## INSTALLATION

On the ceiling, wall or another solid substrate (structure) ensuring firm connection.

## VERSIONS

The light fittings are provided with a self-resetting thermal fuse and a surge guard up to 10 kV. The emergency version of the light fittings for permanent (M) and non-permanent (NM) emergency illumination with autonomy of 1 hour.

## DRIVER FUNCTIONS

eCLO, ITG, IVG+, Power-up fading

## LIFETIME

100.000 hours, L90B10

## CONTROL

DALI-2

Type	Power input [W] / Luminous flux [lm]	Version	Autonomy [h]	Weight [kg]
591 35 01 PRO EM	55 / 6473	M / NM	1	8
591 35 02 PRO EM	35 / 4039	M / NM	1	8
591 35 03 PRO EM	25 / 2709	M / NM	1	8

CE	LED	EMERGENCY	198 - 264V AC 176 - 280V DC
IP66	F	Ta	-40°C ÷ +50°C 591 35 01 PRO -40°C ÷ +55°C 591 35 02 PRO -40°C ÷ +60°C 591 35 03 PRO
Carton (mm/pcs) 400 x 400 x 190 / 1			

Type	Power input [W] / Luminous flux [lm]	Luminous efficiency [lm/W]	Angle of beam [°]	Colour temperature [K]	CRI	Weight [kg]
591 35 01 PRO	50 / 6980	140	120	4000, 5000, 5700, 6500	>80	8
591 35 02 PRO	30 / 4613	148	120	4000, 5000, 5700, 6500	>80	8
591 35 03 PRO	20 / 3020	146	120	4000, 5000, 5700, 6500	>80	8

## MAXIMUM CIRCUIT BREAKER LOAD AND NUMBER OF LUMINAIRES CONNECTED IN SERIES

Circuit breaker	C10	C13	C16	C20	B10	B13	B16	B20
Amount of luminaires max	10	13	16	21	6	8	10	13
Conductor cross-section	1,5	1,5	2,5	4	1,5	1,5	2,5	4

Starting current I <sub>max</sub>	time
32A	355us

\* Actual values may vary due to the types of circuit breakers used and the installation environment.

## TO ORDER



Transparent glass cover  
232.5070



Protective basket  
1-99.8534/1



Cable gland plastic  
M20x1,5



Cable gland metal  
M20x1,5



Blinding plug  
M20x1,5

**Light fitting for the illumination railroad tracks and railway areas.**



**TECHNICAL DESCRIPTION**

The body is made of aluminium alloy. There is electrical equipment and rope holder of the bottom of the touch clutch.

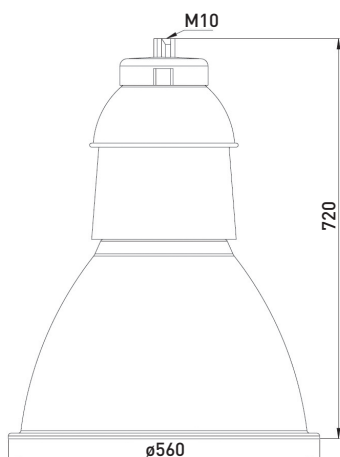
The body cover is made of steel sheet metal finished with powder paint. The reflector is made of aluminium sheet.

**INSTALLATION**

By suspension.

**LIFETIME**

50.000 hours



<b>Ta</b> -30°C ÷ + 50°C			
<b>Carton (mm/pcs) 570 x 570 x 800 / 1</b>			

Type	Power input [W] / Luminous flux [lm]	Luminous efficiency [lm/W]	Angle of beam [°]	Colour temperature [K]	CRI	Weight [kg]
449 06 04 LED/ES	100 / 13000	130	120	4500	>80	5,1
449 06 05 LED/ES	150 / 19500	130	120	4500	>80	8,2
449 06 06 LED/ES	200 / 26000	130	120	4500	>80	9,1

**TO ORDER**

The light fittings can be produced with a protective glass.

Luminaire for indoor, interior lighting.



**TECHNICAL DESCRIPTION** The body of the luminaire is made of steel extrusions coated with powder paint. The reflector is made of polished aluminium powder coated. The maximum cross-section of the connecting wires is 4 mm<sup>2</sup>.

**INSTALLATION** Using a hanging eye, by hanging.

**VERSIONS** The luminaires are produced in different colours (RAL palette) according to the customer's requirements. The luminaire can be equipped with a trim with protective tempered glass and sealing for IP54 protection.

**LIFETIME** 50.000 hours

CE	LED	IP54	230V 50 Hz
Ta -20°C ÷ + 50°C			
Carton (mm/pcs) 570 x 570 x 800 / 1			

Type	Power input [W] / Luminous flux [lm]	Luminous efficiency [lm/W]	Colour temperature [K]	CRI	Weight [kg]
392 17 01	200 / 26000	130	4500	>80	13
392 18 01	200 / 26000	130	4500	>80	12
392 17 02	150 / 19000	130	4500	>80	13
392 18 02	150 / 19000	130	4500	>80	12
392 17 03	100 / 13000	130	4500	>80	13
392 18 03	100 / 13000	130	4500	>80	12

## MAXIMUM CIRCUIT BREAKER LOAD AND NUMBER OF LUMINAIRES CONNECTED IN SERIES

### TYPE 392 17 01, 392 18 01

Circuit breaker	B16	C16
Amount of luminaires max	4	7
Conductor cross-section	2,5	2,5

Starting current I <sub>max</sub>	time
85A	600us

### TYPE 392 17 02, 392 18 02

Circuit breaker	B16	C16
Amount of luminaires max	4	7
Conductor cross-section	2,5	2,5

Starting current I <sub>max</sub>	time
65A	550us

### TYPE 392 17 03, 392 18 03

Circuit breaker	B16	C16
Amount of luminaires max	4	8
Conductor cross-section	2,5	2,5

Starting current I <sub>max</sub>	time
60A	550us

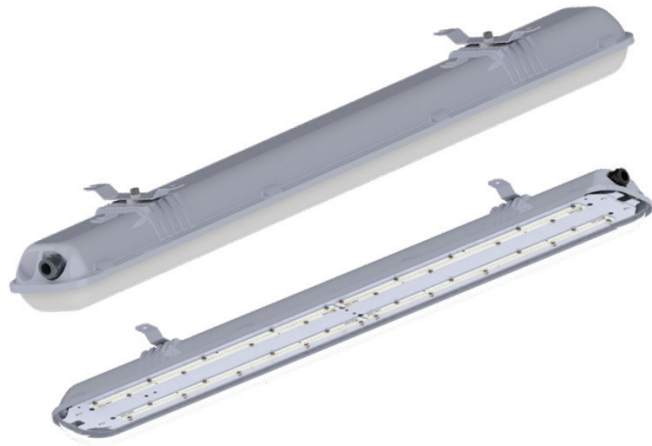
TO ORDER



Flange with glass and basket  
2-99.6107

# PRACHO PLA LED

Light fitting for the illumination of indoor and outdoor industrial spaces.



## TECHNICAL DESCRIPTION

The light fitting body is made of glass-fibre-reinforced polyester (GRP). The diffuser is supplied as standard in UV stabilised polycarbonate (PC). The caps are made of stainless steel. The mounting brackets are made of powder-coated sheet steel. The luminaire is equipped with a reflector made of sheet steel. The luminaire is manufactured as a 3-phase through luminaire. When the luminaire is used as an end luminaire, the free cable gland is blinded with an Ex-plug. The maximum cross-section of the connecting wires is 2,5 mm<sup>2</sup>.

## INSTALLATION

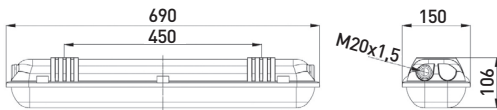
On ceiling or wall using two brackets.

## VERSIONS

Light fittings are supplied with M20x1.5 cable glands as standard. The luminaire can be manufactured with an emergency unit, designation 591 14 xx EM.

## LIFETIME

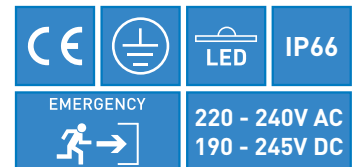
120.000 hours, L80B20



591 14 04, 591 14 05



591 14 01, 591 14 02, 591 14 03



Type	Power input [W]	Luminous flux [lm]	Luminous efficiency [lm/W]	Colour temperature [K]	CRI	Ambient temperature	Weight [kg]
591 14 01	70	10 554	152	4000, 5000, 5700, 6500	>80	-40°C ÷ +55°C	5,5
591 14 02	55	9 171	168	4000, 5000, 5700, 6500	>80	-40°C ÷ +55°C	5,5
591 14 03	40	6 692	167	4000, 5000, 5700, 6500	>80	-40°C ÷ +55°C	5,5
591 14 04	25	4 061	163	4000, 5000, 5700, 6500	>80	-40°C ÷ +60°C	3,5
591 14 05	15	2 482	167	4000, 5000, 5700, 6500	>80	-40°C ÷ +60°C	3,5

## PARAMETERS OF THE TYPE WITH EMERGENCY UNIT

Type	Power input [W]	Operating time [h]	Ambient temperature
591 14 01, 02, 03	4,5	3	+5°C ÷ +55°C
591 14 04, 05	4,5	3	+5°C ÷ +60°C

\*PM – by adding the letter „PM“ the luminaire will be equipped with a polymethylmethacrylate diffuser (e.g. 591 14 07 PM).

\*EM – by adding the letters „EM“ the light fitting will be equipped with an emergency unit with autonomy up to 3 hours (e.g. 591 14 05EM).



**MAXIMUM CIRCUIT BREAKER LOAD AND NUMBER OF LUMINAIRES CONNECTED IN SERIES OF TYPE 591 14 01, 591 14 02, 591 14 03**

Circuit breaker	C10	C13	C16	C20	B10	B13	B16	B20
Amount of luminaires max	33	41	53	66	20	25	32	40
Conductor cross-section	1,5	1,5	2,5	4	1,5	1,5	2,5	4

Starting current I <sub>max</sub>	time
5A	1,000us

**MAXIMUM CIRCUIT BREAKER LOAD AND NUMBER OF LUMINAIRES CONNECTED IN SERIES OF TYPE 591 14 04 A 591 14 05**

Circuit breaker	C10	C13	C16	C20	B10	B13	B16	B20
Amount of luminaires max	16	21	26	35	10	13	16	21
Conductor cross-section	1,5	1,5	2,5	2,5	1,5	1,5	2,5	2,5

Starting current I <sub>max</sub>	time
32A	240us

\* Actual values may vary due to the types of circuit breakers used and the installation environment.

**TO ORDER**



PC diffuser



Stainless steel cap  
30543



Blinding plug  
M20x1,5



Shade  
254.5021/01

PEGAS LED  
PEGAS LED PRO  
JUNIOR LED  
JUNIOR LED PRO



Shade  
154.5041/2

TAURUS LED



Glass cover  
232.5068/1

FARMER I LED  
FARMER I LED PRO  
FARMER II LED



Protective sand-blasted glass  
232.5070

TURTLE LED  
TURTLE LED PRO



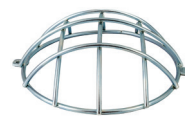
Protective glass clear  
31157

MULTIFREEZE LED



Protective sand-blasted glass  
132.2551

TUB LED  
TUB LED PRO



Protective basket  
2-99.6325

PEGAS LED  
PEGAS LED PRO



Protective basket  
1-99.8534/1

TURTLE LED  
TURTLE LED PRO  
MULTIFREEZE LED



Protective steel basket  
1-99.8535/1

TUB LED  
TUB LED PRO



Protective basket  
2-99.6325

TAURUS LED



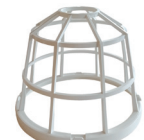
Protective steel basket  
1-99.6231

FARMER I LED  
FARMER I LED PRO  
FARMER II LED



Protective polycarbonate  
basket 182.2540

FARMER I LED  
FARMER I LED PRO  
FARMER II LED



PMMA protective basket  
182.5005

FARMER I LED  
FARMER I LED PRO  
FARMER II LED



PC diffuser  
PRACHO PLA LED



Stainless steel cap  
30543  
PRACHO PLA LED



Holder for mounting  
on the ceiling  
4-99.7995



Holder for mounting  
on the wall  
338.2735



Blinding plug  
M20x1,5 / M25x1,5



Stainless steel cap  
4-99.6180

FARMER I LED  
FARMER I LED PRO  
FARMER II LED



Metal cap  
4-99.8470  
FARMER I LED  
FARMER I LED PRO  
FARMER II LED



Flexible suspension  
2-99.5550



Cable gland plastic  
M25x1,5 / M20x1,5



Cable gland metal  
M25x1,5 / M20x1,5



# LUMINAIRES CONFIGURATOR

Applies to a group of luminaires **BILUX LED, TRILUX LED, TUB LED, TUB LED PRO, TURTLE LED, TURTLE LED PRO**

## 591 34 01PRO 1 - 1D 2 - 30 3 - 11 4 - M20 5 - 4K 6

### 1 Type

1
1D
2

30
40
50

10
11

M20
M25
P20
P25
Q20
Q25

4K
5K
5K7
6K
6K5

### 2 Driver

1 - TRIDONIC  
 1D - TRIDONIC with DALI II  
 2 - TCI

### 3 Wiring

30 - single 3-pole terminal → 

3	0
---	---

  
 40 - single 4-pole terminal → 

4	0
---	---

  
 50 - single 5-pole terminal → 

5	0
---	---

### 4 Cable inlets - quantity

1 - one cable inlet on the side of the housing → 

1	0
---	---

  
 11 - one cable inlet on both sides of the housing → 

1	1
---	---

 ←

### 5 Type of cable inlets

M20 - METAL, 6 mm - 13 mm  
 M25 - METAL, 9 mm - 17 mm  
 P20 - PLASTIC, 6 mm - 13 mm  
 P25 - PLASTIC, 9 mm - 17 mm  
 Q20 - PLASTIC 6 mm - 13 mm QUICK CONNECTOR - 3 POLE  
 Q25 - PLASTIC 9 mm - 17 mm QUICK CONNECTOR - 5 POLE

### 6 Colour temperature

4K - 4000 K  
 5K - 5000 K  
 5K7 - 5700 K  
 6K - 6000 K  
 6K5 - 6500 K



Applies to a group of luminaires **ORION LED, SIRIUS LED, ERIS LED, PEGAS LED, TAURUS LED -JUNIOR LED**

**591 44 01**<sub>1</sub> - **M**<sub>2</sub> - **1D**<sub>3</sub> - **30**<sub>4</sub> - **11**<sub>5</sub> - **M20**<sub>6</sub> - **4K**<sub>7</sub>

### 1 Type

0
M

1
1D
2

30
40
50

10
11

M20
M25
P20
P25
Q20
Q25

4K
5K
5K7
6K
6K5

### 2 Protective basket

0 - without basket  
M - metal basket

### 3 Driver

1 - TRIDONIC  
1D - TRIDONIC with DALI II  
2 - TCI

### 4 Wiring

30 - single 3-pole terminal → 

3	0
---	---

  
40 - single 4-pole terminal → 

4	0
---	---

  
50 - single 5-pole terminal → 

5	0
---	---

### 5 Cable inlets - quantity

1 - one cable inlet on the side of the housing → 

1	0
---	---

  
11 - one cable inlet on both sides of the housing → 

1	1
---	---

 ←

### 6 Type of cable inlets

M20 - METAL, 6 mm - 13 mm  
M25 - METAL, 9 mm - 17 mm  
P20 - PLASTIC, 6 mm - 13 mm  
P25 - PLASTIC, 9 mm - 17 mm  
Q20 - PLASTIC 6 mm - 13 mm QUICK CONNECTOR - 3 POLE  
Q25 - PLASTIC 9 mm - 17 mm QUICK CONNECTOR - 5 POLE

### 7 Colour temperature

4K - 4000 K  
5K - 5000 K  
5K7 - 5700 K  
6K - 6000 K  
6K5 - 6500 K

# LUMINAIRES CONFIGURATOR

Applies to a group of luminaires **FARMER I LED, FARMER I LED PRO, FARMER II LED, FARMER I LED PRO 50W**

## 591 36 01PRO 1 - 2 P - 1D 3 - 30 4 - 11 5 - M20 6 - 4K 7

### 1 Type

P
PC
M

1
1D
2

30
40
50

10
11

M20
M25
P20
P25
Q20
Q25

4K
5K
5K7
6K
6K5

### 2 Protective basket

P - plastic basket  
PC - polycarbonate basket  
M - metal basket

### 3 Driver

1 - TRIDONIC  
1D - TRIDONIC with DALI II  
2 - TCI

### 4 Wiring

30 - single 3-pole terminal → 

3	0
---	---

  
40 - single 4-pole terminal → 

4	0
---	---

  
50 - single 5-pole terminal → 

5	0
---	---

### 5 Cable inlets - quantity

1 - one cable inlet on the side of the housing → 

1	0
---	---

  
11 - one cable inlet on both sides of the housing → 

1	1
---	---

 ←

### 6 Type of cable inlets

M20 - METAL, 6 mm - 13 mm  
M25 - METAL, 9 mm - 17 mm  
P20 - PLASTIC, 6 mm - 13 mm  
P25 - PLASTIC, 9 mm - 17 mm  
Q20 - PLASTIC 6 mm - 13 mm QUICK CONNECTOR - 3 POLE  
Q25 - PLASTIC 9 mm - 17 mm QUICK CONNECTOR - 5 POLE

### 7 Colour temperature

4K - 4000 K  
5K - 5000 K  
5K7 - 5700 K  
6K - 6000 K  
6K5 - 6500 K

Applies to a group of luminaires **HALSPOT LED**

**793 04 01 -1D -30 -10 -M20 -4K -00**

### 1 Type

1  
1D  
2

### 2 Driver

1 - TRIDONIC  
1D - TRIDONIC with DALI II  
2 - TCI

30  
40  
50  
60  
70

10  
11

M20  
M25  
P20  
P25  
Q20  
Q25

4K  
5K  
5K7  
6K  
6K5

00  
01  
02  
03

### 3 Wiring

30 - single 3-pole terminal → 3 .  
40 - single 4-pole terminal → 4 .  
50 - single 5-pole terminal → 5 .  
60 - single 6-pole terminal → 6 .  
70 - single 7-pole terminal → 7 .

### 4 Cable inlets - quantity

10 - one cable inlet on the side of the housing → 1 0

### 5 Type of cable inlets

M20 - METAL, 6 mm - 13 mm, cable 0,5 m  
M25 - METAL, 9 mm - 17 mm, cable 0,5 m  
P20 - PLASTIC, 6 mm - 13 mm, cable 0,5 m  
P25 - PLASTIC, 9 mm - 17 mm, cable 0,5 m  
Q20 - PLASTIC 6 mm - 13 mm QUICK CONNECTOR- 3 POLE  
Q25 - PLASTIC 9 mm - 17 mm QUICK CONNECTOR -5 POLR

### 6 Colour temperature

4K - 4000 K  
5K - 5000 K  
5K7 - 5700 K  
6K - 6000 K  
6K5 - 6500 K

### 7 Optics

00 - WITHOUT OPTICS, 120 deg DIFFUSION CURVE  
01 - SYMMETRICAL NARROW 25 deg  
02 - SYMMETRICAL WIDE 120 deg  
03 - ASYMMETRICAL

# LUMINAIRES CONFIGURATOR

Applies to a group of luminaires **TUNNEL**

## 691 04 01 1 - 1D 2 - 30 3 - 11 4 - M20 5 - 4K 6 - 00 7

### 1 Type

1  
1D

### 2 Driver

1 - TRIDONIC  
1D - TRIDONIC with DALI II

30  
33  
40  
44  
50  
55  
60  
66  
70  
77

10  
20

M20  
M25  
P20  
P25  
Q20  
Q25

4K  
5K  
5K7  
6K  
6K5

00  
01  
02  
03

### 3 Wiring

30 - single 3-pole terminal	→	3 .	
33 - double 3-pole terminal	→	3 3	←
40 - single 4-pole terminal	→	4 .	
44 - double 4-pole terminal	→	4 4	←
50 - single 5-pole terminal	→	5 .	
55 - double 5-pole terminal	→	5 5	←
60 - single 6-pole terminal	→	6 .	
66 - double 6-pole terminal	→	6 6	←
70 - single 7-pole terminal	→	7 .	
77 - double 7-pole terminal	→	7 7	←

### 4 Cable inlets - quantity

1 - one cable inlet on the side of the housing	→	1 0
11 - one cable inlet on both sides of the housing	→	2 0

### 5 Type of cable inlets

M20 - METAL, 6 mm - 13 mm  
M25 - METAL, 9 mm - 17 mm  
P20 - PLASTIC, 6 mm - 13 mm  
P25 - PLASTIC, 9 mm - 17 mm  
Q20 - PLASTIC 6 mm - 13 mm QUICK CONNECTOR - 3 POLE  
Q25 - PLASTIC 9 mm - 17 mm QUICK CONNECTOR - 5 POLE

### 6 Colour temperature

4K - 4000 K  
5K - 5000 K  
5K7 - 5700 K  
6K - 6000 K  
6K5 - 6500 K

### 7 Optics

00 - WITHOUT OPTICS, 120 deg DIFFUSION CURVE  
01 - SYMMETRICAL NARROW 25 deg  
02 - SYMMETRICAL WIDE 120 deg  
03 - ASYMMETRICAL

Applies to a group of luminaires PRACHO LED, PRACHO PLA LED

# 591 14 01 1 -1D 2 -30 3 -11 4 -M20 5 -4K 6 -00 7

## 1 Type

1  
1D  
2

## 2 Driver

- 1 - TRIDONIC
- 1D - TRIDONIC with DALI II
- 2 - TCI

30  
33  
40  
44  
50  
55  
60  
66  
70  
77

10  
11

M20  
M25  
P20  
P25  
Q20  
Q25

4K  
5K  
5K7  
6K  
6K5

00  
01  
02  
03

## 3 Wiring

- 30 - single 3-pole terminal → 

3	.
---	---
- 33 - double 3-pole terminal → 

3	3
---	---

 ←
- 40 - single 4-pole terminal → 

4	.
---	---
- 44 - double 4-pole terminal → 

4	4
---	---

 ←
- 50 - single 5-pole terminal → 

5	.
---	---
- 55 - double 5-pole terminal → 

5	5
---	---

 ←
- 60 - single 6-pole terminal → 

6	.
---	---
- 66 - double 6-pole terminal → 

6	6
---	---

 ←
- 70 - single 7-pole terminal → 

7	.
---	---
- 77 - double 7-pole terminal → 

7	7
---	---

 ←

## 4 Cable inlets - quantity

- 10 - one cable inlet on the side of the housing → 

1	0
---	---
- 11 - one cable inlet on both sides of the housing → 

2	0
---	---
- 20 - two cable inlets on the side of the housing → 

2	1
---	---

 ←
- 21 - two cable inlets on the on one side of the housing and one on the another → 

2	1
---	---

 ←
- 22 - two cable inlets on both sides of the housing → 

2	2
---	---

 ←

## 5 Type of cable inlets

- M20 - METAL, 6 mm - 13 mm
- M25 - METAL, 9 mm - 17 mm
- P20 - PLASTIC, 6 mm - 13 mm
- P25 - PLASTIC, 9 mm - 17 mm
- Q20 - PLASTIC 6 mm - 13 mm QUICK CONNECTOR- 3 POLE
- Q25 - PLASTIC 9 mm - 17 mm QUICK CONNECTOR -5 POLE

## 6 Colour temperature

- 4K - 4000 K
- 5K - 5000 K
- 5K7 - 5700 K
- 6K - 6000 K
- 6K5 - 6500 K

## 7 Optics

- 00 - WITHOUT OPTICS, 120 deg DIFFUSION CURVE
- 01 - SYMMETRICAL NARROW 25 deg
- 02 - SYMMETRICAL WIDE 120 deg
- 03 - ASYMMETRICAL

# LUMINAIRES INDEX

Type	Model	Purpose of application	Page
392 17 01	MERIDIAN LED	Industrial luminaires	35
392 17 02	MERIDIAN LED	Industrial luminaires	35
392 17 03	MERIDIAN LED	Industrial luminaires	35
392 18 01	MERIDIAN LED	Industrial luminaires	35
392 18 02	MERIDIAN LED	Industrial luminaires	35
392 18 03	MERIDIAN LED	Industrial luminaires	35
449 06 04LED/ES	ŠAČHO LED	Industrial luminaires	34
449 06 05LED/ES	ŠAČHO LED	Industrial luminaires	34
449 06 06LED/ES	ŠAČHO LED	Industrial luminaires	34
591 14 01	PRACHO PLA LED	Industrial luminaires	36
591 14 02	PRACHO PLA LED	Industrial luminaires	36
591 14 03	PRACHO PLA LED	Industrial luminaires	36
591 14 04	PRACHO PLA LED	Industrial luminaires	36
591 14 05	PRACHO PLA LED	Industrial luminaires	36
591 15 01 (K)	JUNIOR LED	Industrial luminaires	28
591 15 01 (K) PRO	JUNIOR LED PRO	Industrial luminaires	29
591 15 01n	ERIS LED	Explosion-proof luminaires	8
591 15 02 (K)	JUNIOR LED	Industrial luminaires	28
591 15 02 (K) PRO	JUNIOR LED PRO	Industrial luminaires	29
591 15 02n	ERIS LED	Explosion-proof luminaires	8
591 15 03 (K) PRO	JUNIOR LED PRO	Industrial luminaires	29
591 15 03n	ERIS LED	Explosion-proof luminaires	8
591 32 01n	BILUX LED	Explosion-proof luminaires	9
591 32 01nEM	MULTISAFE LED	Explosion-proof luminaires	11
591 32 02n	BILUX LED	Explosion-proof luminaires	9
591 32 02nEM	MULTISAFE LED	Explosion-proof luminaires	11
591 33 01n	TRILUX LED	Explosion-proof luminaires	10
591 33 02n	TRILUX LED	Explosion-proof luminaires	10
591 33 03n	TRILUX LED	Explosion-proof luminaires	10
591 34 01	TUB LED	Industrial luminaires	30
591 34 01 PRO	TUB LED PRO	Industrial luminaires	31
591 34 01EM	TUB LED	Industrial luminaires	30
591 34 02	TUB LED	Industrial luminaires	30
591 34 02 PRO	TUB LED PRO	Industrial luminaires	31
591 34 02EM	TUB LED	Industrial luminaires	30
591 34 24	TUB LED	Industrial luminaires	30
591 35 01	TURTLE LED	Industrial luminaires	32
591 35 01 PRO	TURTLE LED PRO	Industrial luminaires	33
591 35 01 PRO EM	TURTLE LED PRO	Industrial luminaires	33
591 35 01FEM	MULTIFREEZE LED	Industrial luminaires	25
591 35 02	TURTLE LED	Industrial luminaires	32
591 35 02 PRO	TURTLE LED PRO	Industrial luminaires	33

Type	Model	Purpose of application	Page
591 35 02 PRO EM	TURTLE LED PRO	Industrial luminaires	33
591 35 03	TURTLE LED	Industrial luminaires	32
591 35 03 PRO	TURTLE LED PRO	Industrial luminaires	33
591 35 03 PRO EM	TURTLE LED PRO	Industrial luminaires	33
591 36 01 (K)	FARMER I LED	Industrial luminaires	20
591 36 01 (K) PRO	FARMER I LED PRO	Industrial luminaires	22
591 36 02 (K)	FARMER I LED	Industrial luminaires	20
591 36 02 (K) PRO	FARMER I LED PRO	Industrial luminaires	22
591 37 01 (K)	FARMER II LED	Industrial luminaires	24
591 37 01 (K) PRO	FARMER I LED PRO	Industrial luminaires	22
591 37 02 (K) PRO	FARMER I LED PRO	Industrial luminaires	22
591 39 04 (K)	ORION LED	Explosion-proof luminaires	6
591 39 05 (K)	ORION LED	Explosion-proof luminaires	6
591 41 01 (K)	PEGAS LED	Industrial luminaires	26
591 41 01 (K) PRO	PEGAS LED PRO	Industrial luminaires	27
591 41 02 (K)	PEGAS LED	Industrial luminaires	26
591 41 02 (K) PRO	PEGAS LED PRO	Industrial luminaires	27
591 44 01 (K)	SIRIUS LED	Explosion-proof luminaires	7
591 44 02 (K)	SIRIUS LED	Explosion-proof luminaires	7
591 44 03 (K)	SIRIUS LED	Explosion-proof luminaires	7
591 46 01 (K)	TAURUS LED	Industrial luminaires	19
591 46 02 (K)	TAURUS LED	Industrial luminaires	19
591 46 03 (K)	TAURUS LED	Industrial luminaires	19
592 36 03 (K)	FARMER I LED	Industrial luminaires	21
592 36 03 (K) PRO	FARMER I LED PRO	Industrial luminaires	23
592 37 03 (K)	FARMER II LED	Industrial luminaires	24
592 37 03 (K) PRO	FARMER I LED PRO	Industrial luminaires	23
593 36 04 (K)	FARMER I LED	Industrial luminaires	21
593 36 04 (K) PRO	FARMER I LED PRO	Industrial luminaires	23
593 37 04 (K)	FARMER II LED	Industrial luminaires	24
593 37 04 (K) PRO	FARMER I LED PRO	Industrial luminaires	23
691 04 01	TUNNEL LED	Industrial luminaires	18
691 04 02	TUNNEL LED	Industrial luminaires	18
691 04 03	TUNNEL LED	Industrial luminaires	18
691 04 04	TUNNEL LED	Industrial luminaires	18
793 01 01	HALSPOT I LED	Industrial luminaires	16
793 01 02	HALSPOT I LED	Industrial luminaires	16
793 01 03	HALSPOT I LED	Industrial luminaires	16
793 04 01	HALSPOT II LED	Industrial luminaires	17
793 04 02	HALSPOT II LED	Industrial luminaires	17
793 04 03	HALSPOT II LED	Industrial luminaires	17



[WWW.ELEKTROSVIT.CZ](http://WWW.ELEKTROSVIT.CZ)

