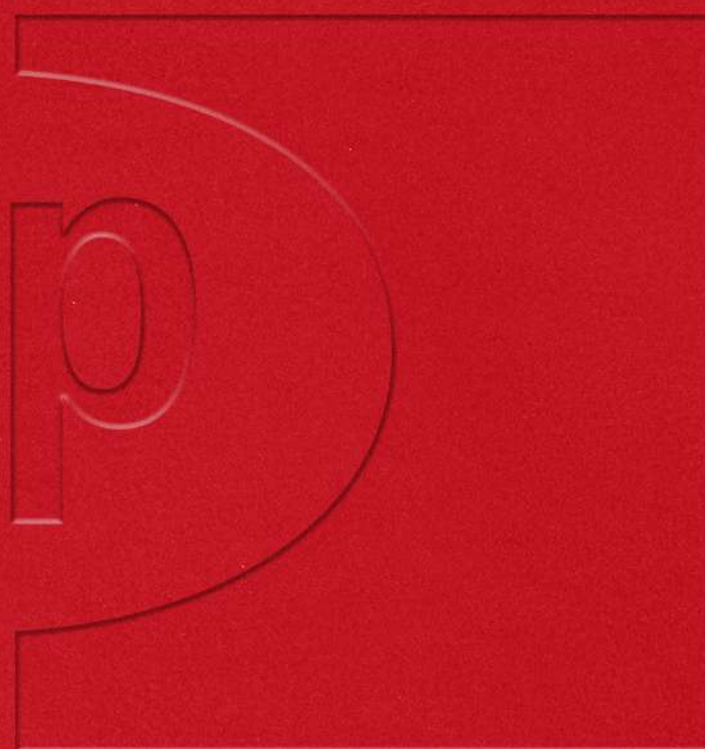


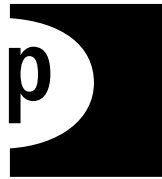
Catálogo general ————— 2023



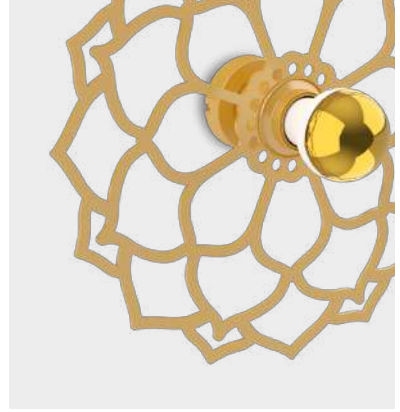
**Pujol** iluminación



Catálogo general ————— 2023



**Pujol** iluminación



# Empresa Company

---

**From the beginning, quality and service have been the company's main weapons**

**Pujol iluminación** es una empresa que cuenta con más de 40 años de experiencia en la fabricación de luminarias de diseño contemporáneo. Fundada en 1978, ha conseguido ser uno de los fabricantes de referencia en el sector de la iluminación decorativa gracias al diseño y la calidad de sus productos, así como por la excelente relación con sus clientes y su clara vocación internacional.

**Pujol iluminación** is a company with more than 40 years experience in the manufacture of contemporary design lighting fittings.

It was set up in 1978 and has become one of the leading manufacturers in the lighting sector because of the design and quality of its products, excellent relationship with its customers and clear international vocation.

**Pujol iluminación** compte plus de quarante ans d'expérience en tant que fabricant d'éclairage décoratif.

Fondée en 1978, notre société est aujourd'hui reconnue par l'ensemble de la profession comme une référence en termes de qualité, service et vocation internationale.

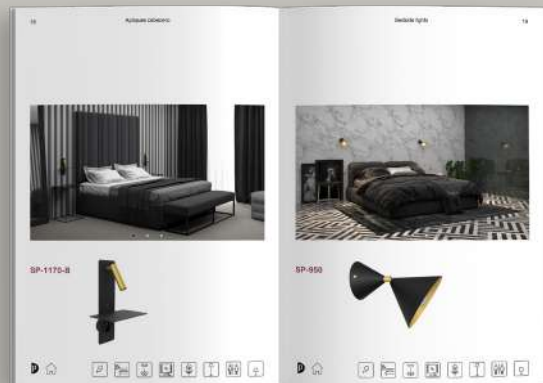
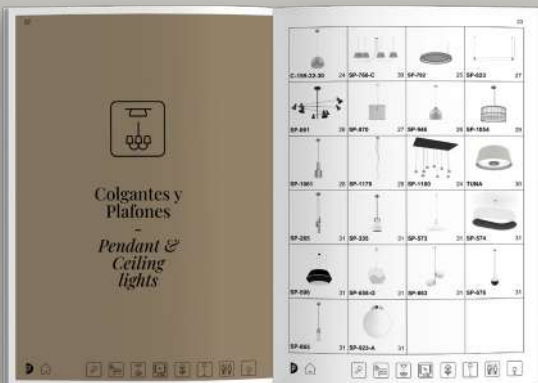
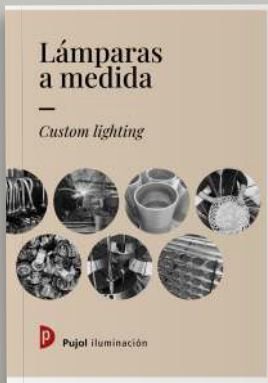
**Pujol Iluminación** ist ein Unternehmen die über 40 Jahren Erfahrung in der Herstellung von modernen Design Leuchten verfügt.

Gegründet im 1978, die Firma hat es geschafft, einer der besten Herstellern im Bereich der qualitätsbezeichneten Lichtgestaltung zu sein.

Pujol Iluminacion zeichnet sich aus durch ihre langgestaltene vertrauensvolle Kundenbeziehung weltweit.



[www.pujoliluminacion.com/lamparas-a-medida](http://www.pujoliluminacion.com/lamparas-a-medida)  
[www.pujoliluminacion.com/en/custom-lighting/](http://www.pujoliluminacion.com/en/custom-lighting/)  
[www.pujoliluminacion.com/fr/luminaire-sur-mesure/](http://www.pujoliluminacion.com/fr/luminaire-sur-mesure/)  
[www.pujoliluminacion.com/de/sonderleuchten/](http://www.pujoliluminacion.com/de/sonderleuchten/)



# Lámparas a medida

## Custom lighting

---

La customización es un deseo cada vez más presente para los consumidores que quieren tener un modelo único.

Para satisfacer esta demanda, Pujol Iluminación cuenta con un amplio parque de máquinas de vanguardia que le permite diseñar colecciones exclusivas con una fuerte personalidad artesanal, tanto para series grandes como pequeñas.

The wish for a custom-made product is increasingly present among the consumers who want to have exclusive goods.

In order to satisfy this request, Pujol Iluminacion reckon on a wide range of machinery, with the latest technology, that allow to design exclusive collections, with a component of craft industry, no matter if small or large quantities.

La customisation est une envie de plus en plus présente pour les consommateurs désireux de posséder un modèle unique.

Pour répondre à cette demande, Pujol dispose localement de l'ensemble des corps de métiers, aussi bien pour la fabrication d'un nouveau modèle qu'une adaptation de sa propre gamme aux besoins de sa clientèle.

Zunehmend wird die Produktpassung als präsender Wunsch für die Verbraucher, die exklusiven Produkte erfordern.

Um dieser Nachfrage entgegenzukommen, ist Pujol Iluminacion mit der modersten Maschinerie ausgestattet, die die Produktion von kleinen bzw. grossen exklusiven Kollektionen von handwerklichem Charakter erlauben.



© erictherouville



# Proyectos Projects

---

Nuestra vocación es la iluminación. Las luminarias son un elemento esencial para resaltar el entorno y a las que, desafortunadamente, a menudo se les resta importancia.

Gracias a una larga trayectoria en el sector del Contract, así como a nuestro departamento de productos especiales y a medida, podemos ayudarle a diseñar la iluminación ideal para su proyecto de decoración, ya sea para un hotel, un bar o un restaurante.

Our vocation is lighting. Luminaires are an essential element to highlight the environment but, unfortunately, they are often underestimated.

Thanks to a long experience in the Contract sector, as well as to our custom and special products department, we can help you design the ideal lighting for your decorating project, be it for a hotel, a bar or a restaurant.

Notre vocation est la lumière. Un élément essentiel aidant à mettre en valeur tout ce qui l'entoure et malheureusement souvent négligé.

Notre longue tradition dans le secteur contract ainsi que notre département de produit sur mesure nous permet de vous aider à concevoir l'éclairage idéal pour votre projet de décoration, tel qu'hôtel, bar ou restaurant.

Beleuchtung ist unsere Berufung. Die Leuchten - leider oft unterschätzt - sind ein wesentliches Element zur Hervorhebung der Umgebung.

Dank einer langen Erfahrung im Contract-Bereich sowie durch unsere Ab-teilung für Sonderprojekte und massgeschneiderte Produkte sind wir bereit, die ideale Beleuchtung für Ihr Dekorationsprojekt zu entwerfen, sei es für ein Hotel, eine Bar oder ein Restaurant.

# Hotel Kozmo

Budapest, Hungría



Fotografías © erictherouville

## Only YOU hotel Atocha

Madrid, España



## Hotel Au Charme Rabelaisien

Amboise, Francia



## Hotel Portobay Liberdade

Lisboa, Portugal



## Le Damantin Hôtel & Spa

Paris, Francia



### Radisson Blu Hotel Lietuva

Vilnius, Lituania



### Radisson Blu Hotel olümpia

Tallinn, Estonia



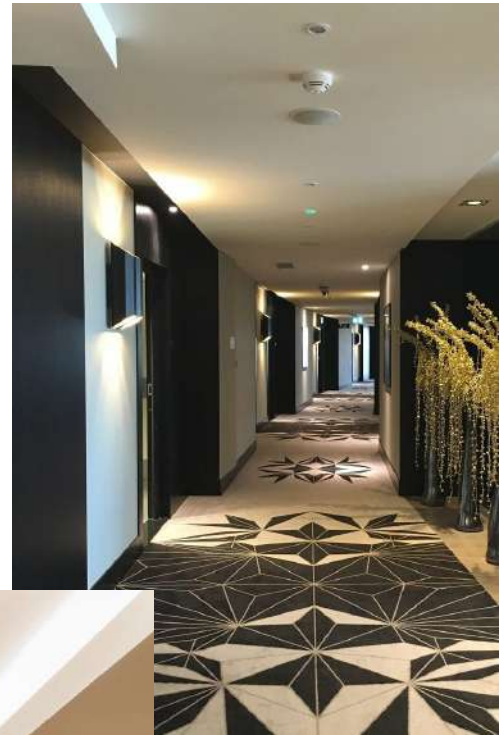
### 'Superministry' office building

Tallin, Estonia



# Hotel Hilton Tallinn

Tallin, Estonia



# Índice

Apliques  
Wall lamps  
Appliques  
Wandlampen



**Acústic** **NEW**  
28



**Ado**  
162



**Americana**  
216



**Apolo**  
128



**Arcos**  
140



**Balance** **NEW**  
70



**Basic**  
194



**Bric**  
188



**Brindis**  
164



**Cub**  
64



**Del**  
202



**Duo** **NEW**  
54



**Eve**  
178



**Icono**  
78



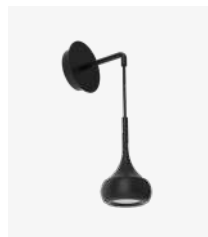
**Iris**  
126



**Key**  
90



**Lula**  
192



**Mini Maxi** **NEW**  
98



**Natural** **NEW**  
38



**Nenufar** **NEW**  
58



**Opal**  
150



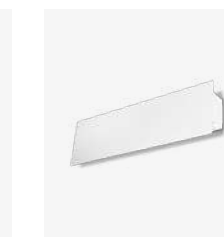
**Plasma**  
166



**Prim**  
122



**Signe**  
82



**Suau**  
72



**Sutil** **NEW**  
74



**Tomas**  
92



**Tub**  
210



**Zig** **NEW**  
18

Iluminacuadros  
Picture lamps  
Éclairage tableau  
Bilderleuchten



**Agora**  
160



**Apiques de cuadro**  
220



**Thin**  
158

Colgantes  
Hanging lamps  
Suspensions  
Pendelleuchten



**Acústic** **NEW**  
28



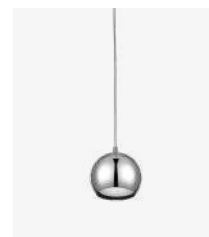
**Apolo**  
128



**Aura**  
170



**Boina**  
86



**Bola**  
168



**Brindis**  
164



**Cil**  
190



**Mini**  
106



**Mini Maxi** **NEW**  
98



**Natural** **NEW**  
38



**Prim**  
122



**Sphere** **NEW**  
48



**Tomas**  
92



**Zen** **NEW**  
112

Plafones  
Ceiling lamps  
Plafonniers  
Deckenleuchten



**Acústic** **NEW**  
28



**Apolo**  
128



**Arcos**  
140



**Cub**  
64



**Cuina**  
186



**Esferic**  
184



**Mini plafon**  
182



**Natural** **NEW**  
38



**Plafó**  
180

Sobremesas  
Table lamps  
Lampes de tables  
Tischleuchten



**Bateria**  
60



**Boina** **NEW**  
86



**Circular**  
62



**Cub**  
64



**Del**  
202



**Eve**  
178



**Mini Maxi** **NEW**  
98



**Natural** **NEW**  
38





**Noa** **NEW**  
56



**Sphere** **NEW**  
48



**Sunset**  
84



**Tomas**  
92



**Tub**  
210



**Zig** **NEW**  
18

Exterior  
Outdoor  
Extérieur  
Außenambiente



**Apolo IP65**  
138

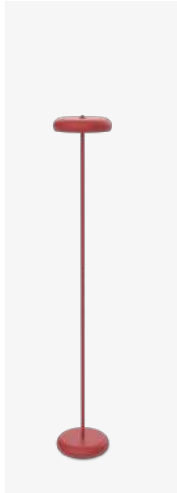


**Masai**  
172

Pies de salón  
 Floor lamps  
 Lampadaires  
 sur pied  
 Deckenfluter



**Americana**  
216



**Boina** **NEW**  
86



**Cosmos**  
200



**Del**  
202



**Giravolt**  
176



**Gregal**  
198



**Lux**  
156



**Masai**  
172



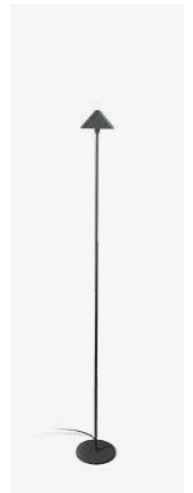
**Mini Maxi** **NEW**  
98



**Pie**  
214



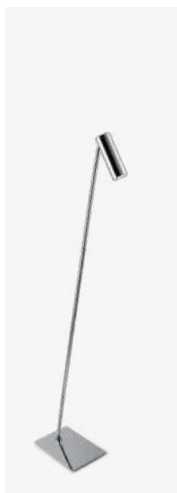
**Sphere** **NEW**  
48



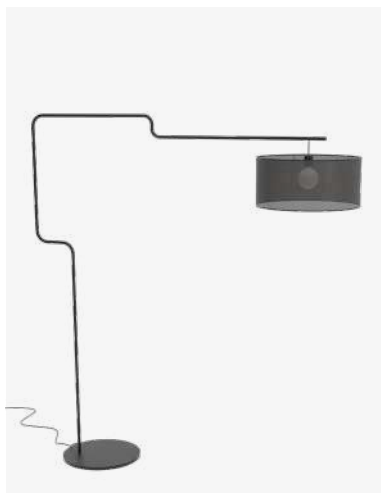
**Tomas**  
92



**Trio**  
154



**Tub**  
210



**Zig** **NEW**  
18

# Índice colecciones

|     |                           |     |                    |
|-----|---------------------------|-----|--------------------|
| 28  | <b>Acústic</b>            | 78  | <b>Icono</b>       |
| 162 | <b>Ado</b>                | 126 | <b>Iris</b>        |
| 160 | <b>Agora</b>              | 90  | <b>Key</b>         |
| 216 | <b>Americana</b>          | 192 | <b>Lula</b>        |
| 220 | <b>Apliques de cuadro</b> | 156 | <b>Lux</b>         |
| 128 | <b>Apolo</b>              | 172 | <b>Masai</b>       |
| 136 | <b>Apolo emergency</b>    | 106 | <b>Mini</b>        |
| 138 | <b>Apolo IP65</b>         | 98  | <b>Mini Maxi</b>   |
| 140 | <b>Arcos</b>              | 182 | <b>Mini Plafon</b> |
| 170 | <b>Aura</b>               | 38  | <b>Natural</b>     |
| 70  | <b>Balance</b>            | 58  | <b>Nenufar</b>     |
| 194 | <b>Basic</b>              | 56  | <b>Noa</b>         |
| 60  | <b>Bateria</b>            | 150 | <b>Opal</b>        |
| 86  | <b>Boina</b>              | 214 | <b>Pie</b>         |
| 168 | <b>Bola</b>               | 180 | <b>Plafo</b>       |
| 188 | <b>Bric</b>               | 166 | <b>Plasma</b>      |
| 164 | <b>Brindis</b>            | 122 | <b>Prim</b>        |
| 190 | <b>Cil</b>                | 82  | <b>Signe</b>       |
| 62  | <b>Circular</b>           | 48  | <b>Sphere</b>      |
| 200 | <b>Cosmos</b>             | 72  | <b>Suau</b>        |
| 64  | <b>Cub</b>                | 84  | <b>Sunset</b>      |
| 186 | <b>Cuina</b>              | 74  | <b>Sutil</b>       |
| 202 | <b>Del</b>                | 158 | <b>Thin</b>        |
| 54  | <b>Duo</b>                | 92  | <b>Tomas</b>       |
| 184 | <b>Esferic</b>            | 154 | <b>Trio</b>        |
| 178 | <b>Eve</b>                | 210 | <b>Tub</b>         |
| 176 | <b>Giravolt</b>           | 112 | <b>Zen</b>         |
| 198 | <b>Gregal</b>             | 18  | <b>Zig</b>         |

# Zig

Nacho Timón

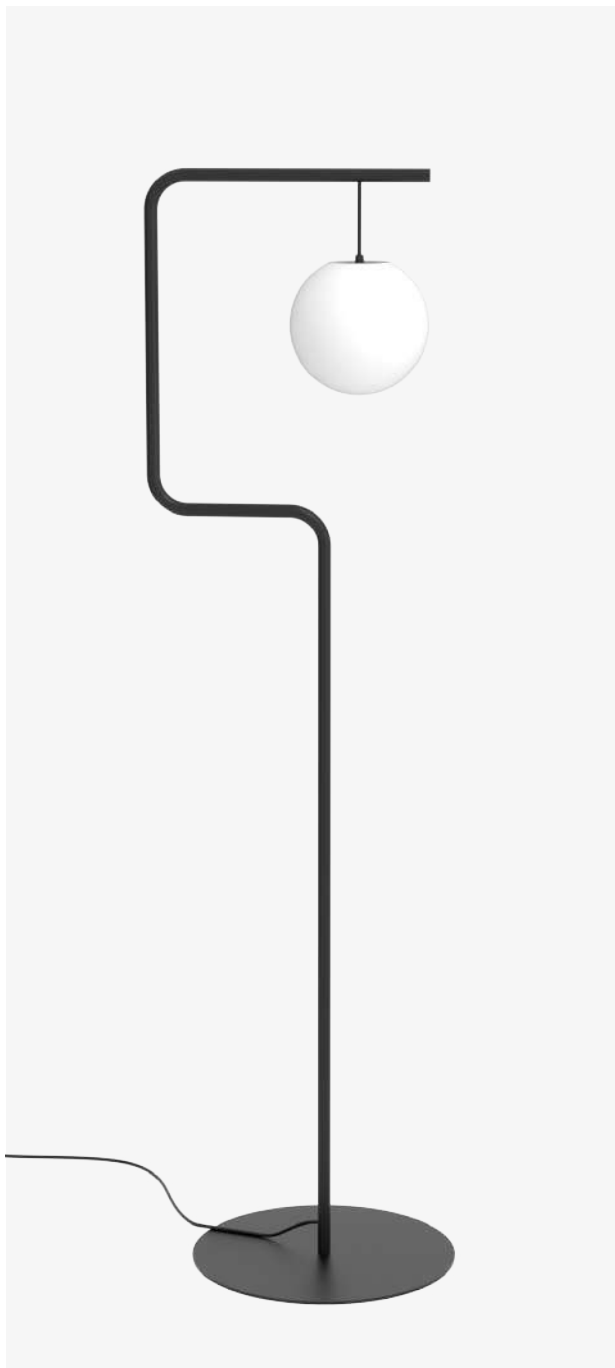
NEW



N



P-218/T



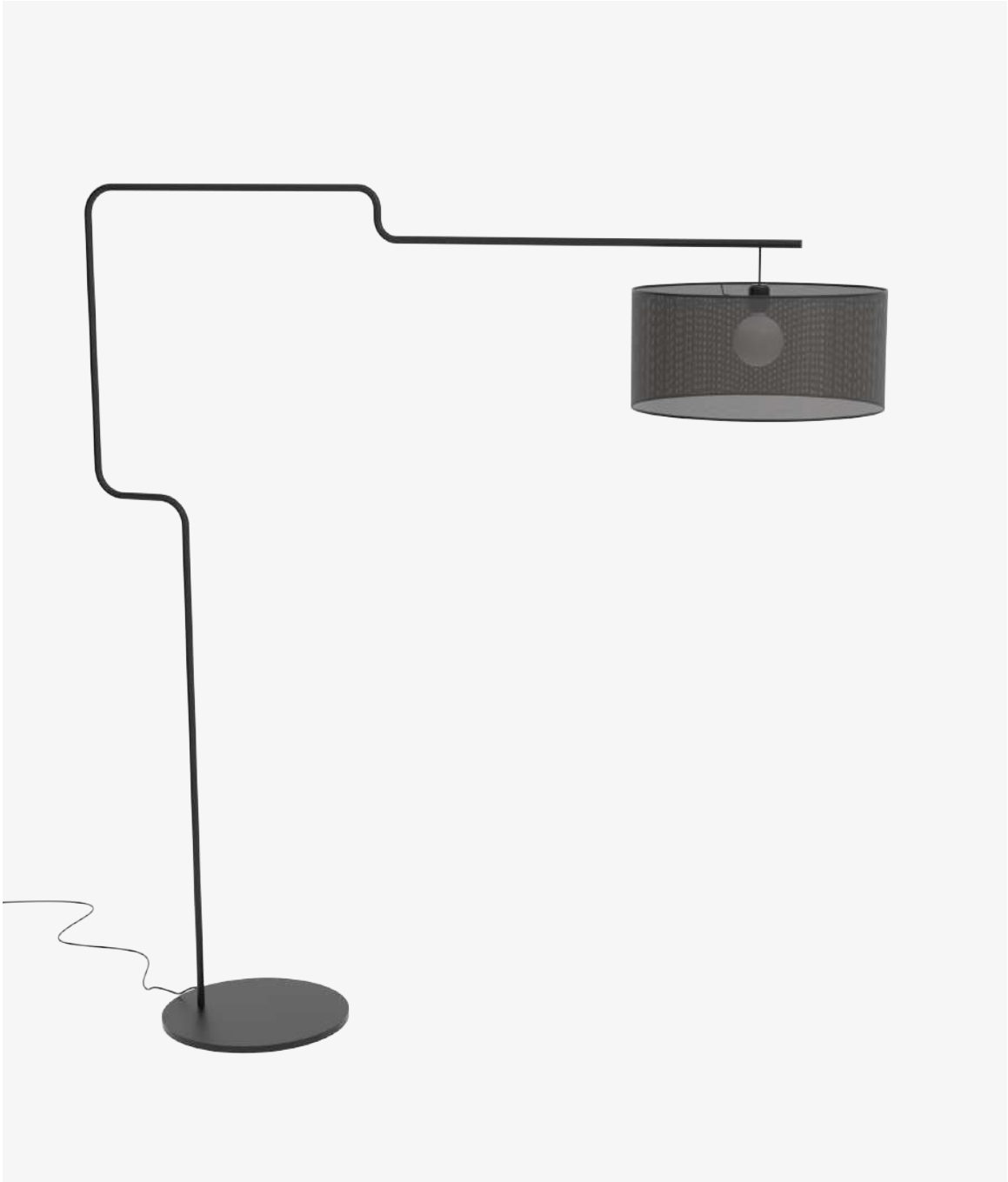
P-218/C



P-219/T



P-219/T



P-220/T

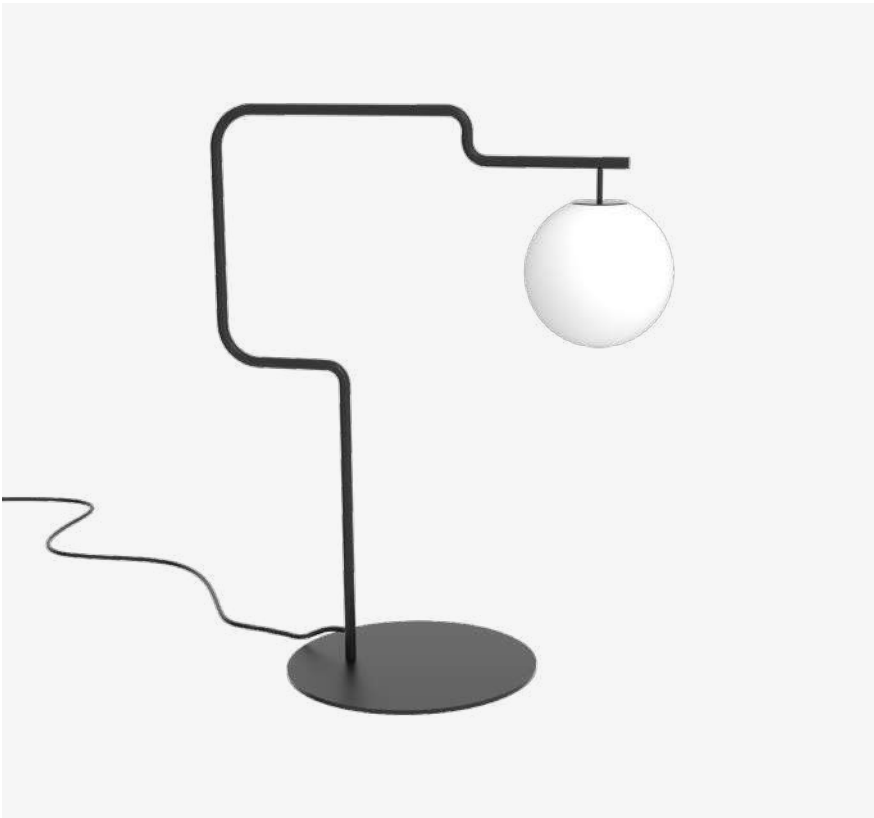
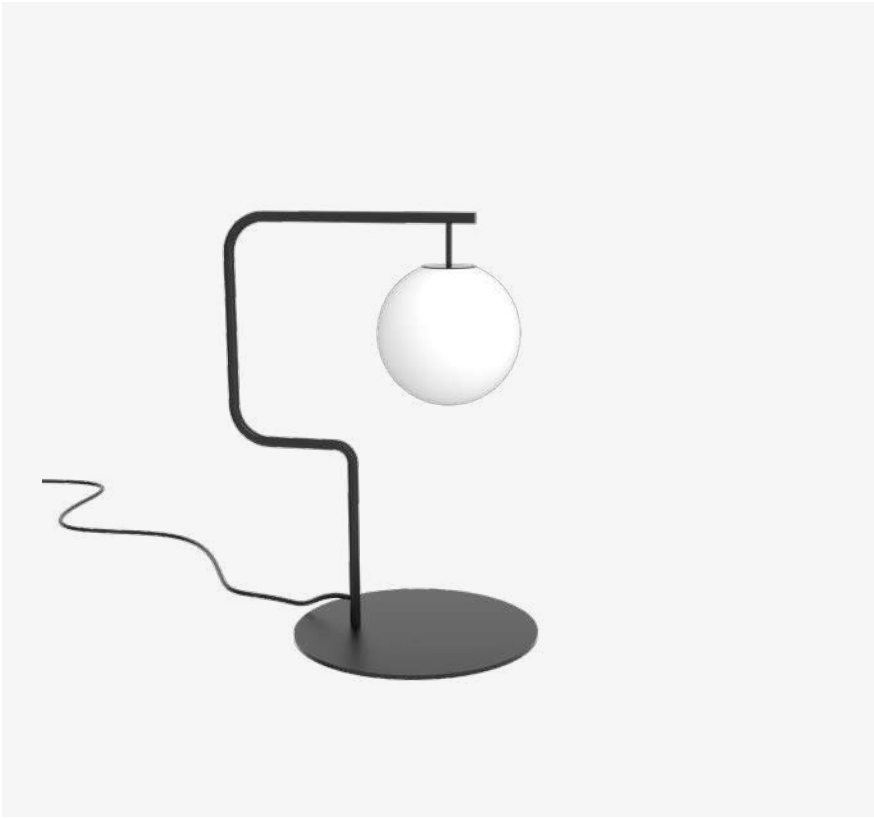
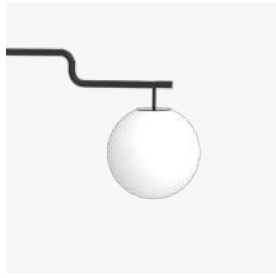




P-220/C



PS-223/T



PS-222/C

PS-223/C



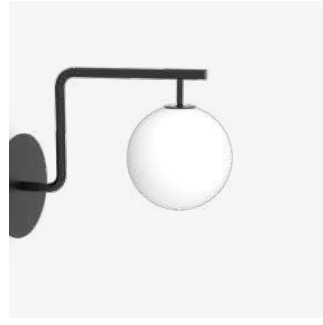
A-224/T  
PS-221/T



A-224/T



PS-221/T



Acabados/ Finishes

Pantallas/ Shades

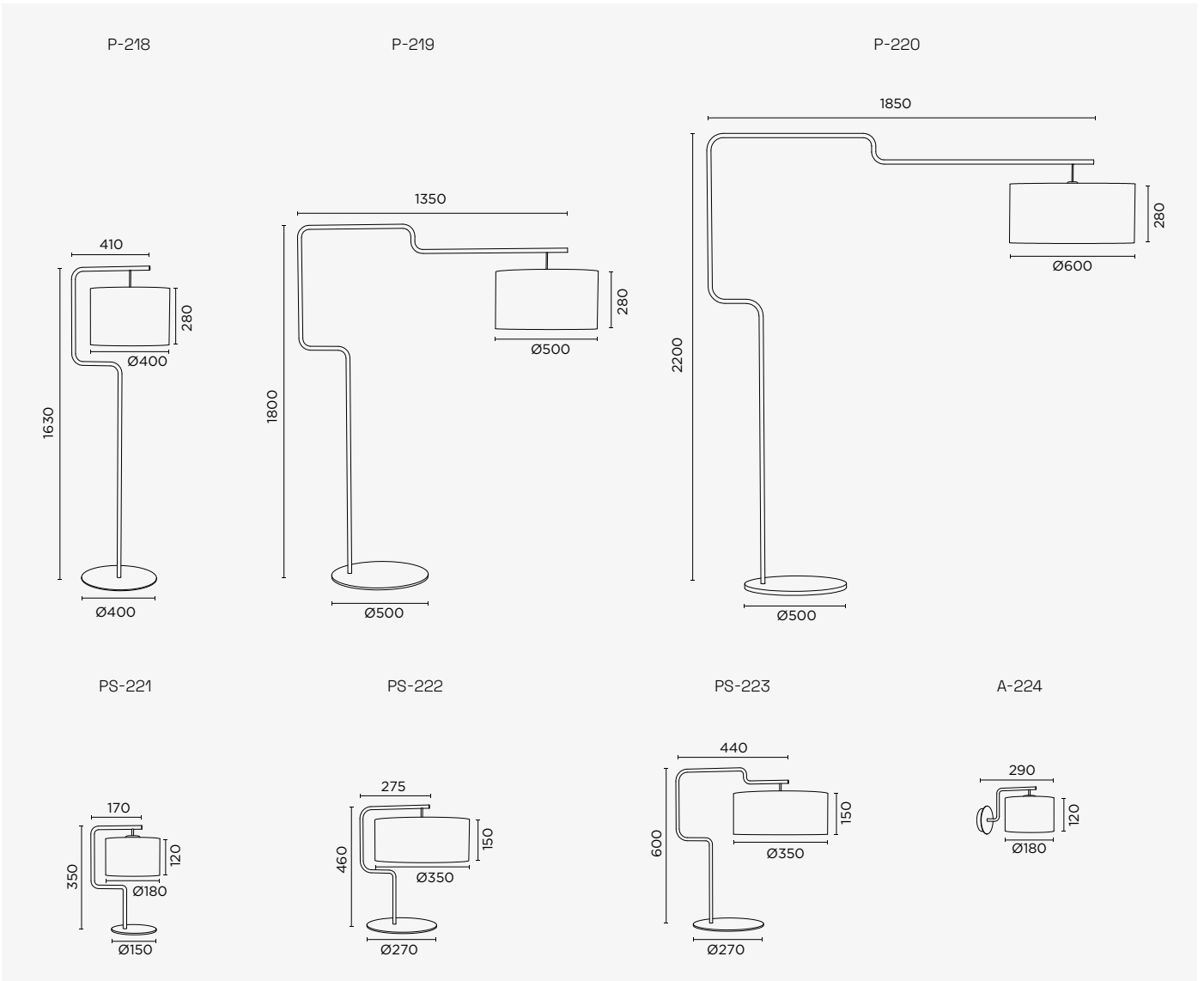
IP20

N

N GLA

| Ref.    | E-27 LED | ⊕ | Pantalla | Bola |
|---------|----------|---|----------|------|
| P-218/T | E-27 LED | ⊕ | Ø400     |      |
| P-218/C | E-27 LED | ⊕ |          | Ø250 |
| P-219/T | E-27 LED | ⊕ | Ø500     |      |
| P-219/C | E-27 LED | ⊕ |          | Ø300 |
| P-220/T | E-27 LED | ⊕ | Ø600     |      |
| P-220/C | E-27 LED | ⊕ |          | Ø300 |

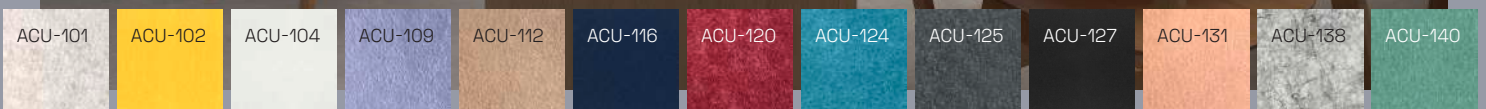
| Ref.     | E-27 LED | ⊕ | Pantalla | Bola |
|----------|----------|---|----------|------|
| PS-221/T | E-27 LED | ⊕ | Ø180     |      |
| PS-221/C | E-27 LED | ⊕ |          | Ø150 |
| PS-222/T | E-27 LED | ⊕ | Ø350     |      |
| PS-222/C | E-27 LED | ⊕ |          | Ø180 |
| PS-223/T | E-27 LED | ⊕ | Ø350     |      |
| PS-223/C | E-27 LED | ⊕ |          | Ø180 |
| A-224/T  | E-27 LED | ⊕ | Ø180     |      |
| A-224/C  | E-27 LED | ⊕ |          | Ø150 |



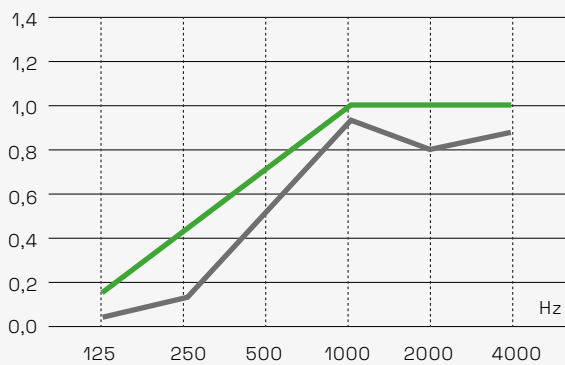
# Acústic **NEW**



Equipo Pujol



DATOS ACÚSTICOS  
ACOUSTIC DATA



AISLAMIENTO ACÚSTICO  
SOUND INSULATION



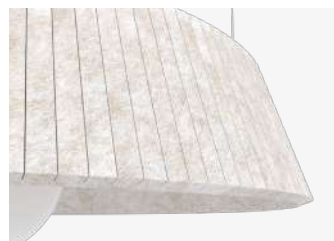
Grosor placas: Polietileno 9mm  
Coeficiente de Absorción: 0,77

Panel thickness: polyethylene 9mm  
Sound absorption coefficient: 0,77



Resistencia al fuego: B. S2. d0 (Cumple CTE DB-SL)  
Apto para locales de pública concurrencia

Fire resistant: B,S2. d0 CTE DB-SL  
Suitable for public premises



C-232/60

C-232/90



C-233/60

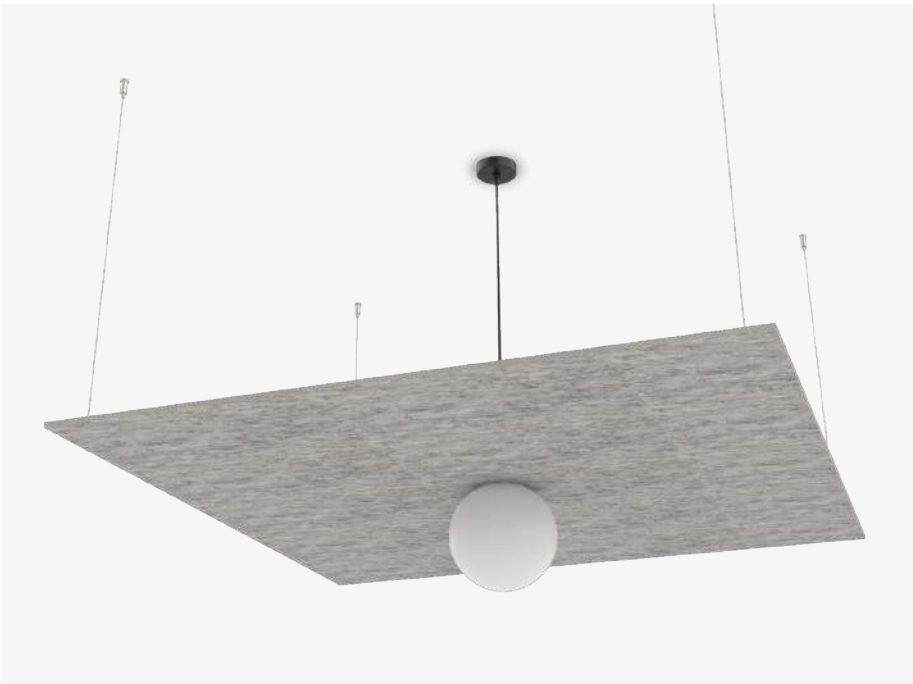
C-233/120

C-233/80





C-233/60 + C-233/80 + C-233/120



C-234/60

C-234/80

C-234/120



C-233/60 + C-233/80 + C-233/120



PL-235/60 + PL-235/80 + PL-235/120

PL-235/60



PL-235/80



PL-235/120





PL-236/60

PL-236/120

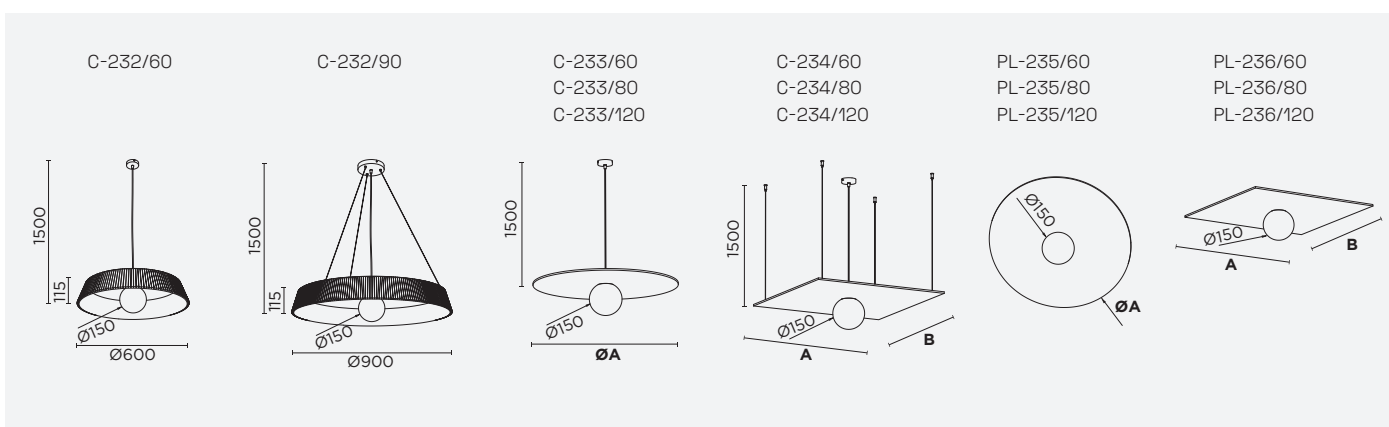
PL-236/80

⊕ ⊖ IP20 RF85°

ACU-101
  ACU-102
  ACU-104
  ACU-109
  ACU-112
  ACU-116
  ACU-120
   
 ACU-124
  ACU-125
  ACU-127
  ACU-131
  ACU-138
  ACU-140

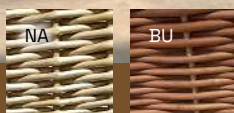
| Ref.      |          | ⊕ ⊖ | A     | B    |
|-----------|----------|-----|-------|------|
| C-232/60  | E-27 LED | ⊕ ⊖ |       |      |
| C-232/90  | E-27 LED | ⊕ ⊖ |       |      |
| C-233/60  | E-27 LED | ⊕ ⊖ | Ø600  |      |
| C-233/80  | E-27 LED | ⊕ ⊖ | Ø800  |      |
| C-233/120 | E-27 LED | ⊕ ⊖ | Ø1200 |      |
| C-234/60  | E-27 LED | ⊕ ⊖ | 600   | 600  |
| C-234/80  | E-27 LED | ⊕ ⊖ | 800   | 800  |
| C-234/120 | E-27 LED | ⊕ ⊖ | 1200  | 1200 |

| Ref.       |          | ⊕ ⊖ | A     | B    |
|------------|----------|-----|-------|------|
| PL-235/60  | E-27 LED | ⊕ ⊖ | Ø600  |      |
| PL-235/80  | E-27 LED | ⊕ ⊖ | Ø800  |      |
| PL-235/120 | E-27 LED | ⊕ ⊖ | Ø1200 |      |
| PL-236/60  | E-27 LED | ⊕ ⊖ | 600   | 600  |
| PL-236/80  | E-27 LED | ⊕ ⊖ | 800   | 800  |
| PL-236/120 | E-27 LED | ⊕ ⊖ | 1200  | 1200 |



# Natural NEW

Equipo Pujol

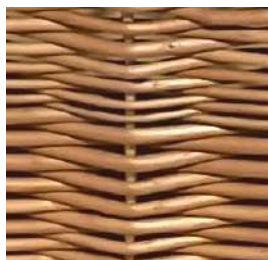




NA



BU

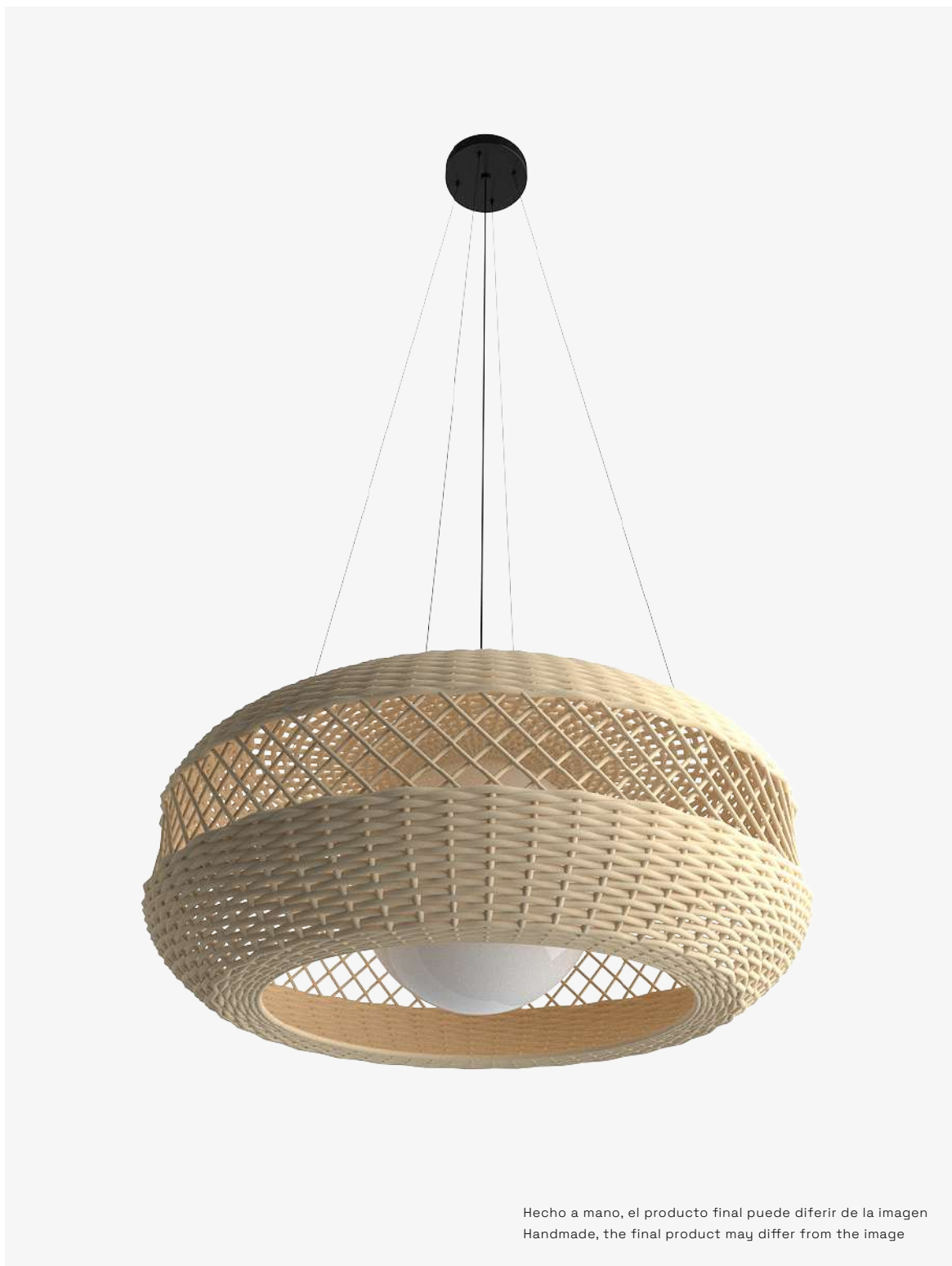


Hecho a mano, el producto final puede diferir de la imagen  
Handmade, the final product may differ from the image

MIC-01-160



MIC-01-80



Hecho a mano, el producto final puede diferir de la imagen  
Handmade, the final product may differ from the image





Hecho a mano, el producto final puede diferir de la imagen  
Handmade, the final product may differ from the image

MIC-02-20

MIC-02-30

MIC-02-50



Hecho a mano, el producto final puede diferir de la imagen  
Handmade, the final product may differ from the image

MIS-02-30



MIA-03-50





MIA-03-35 + MIA-03-25



NA



BU

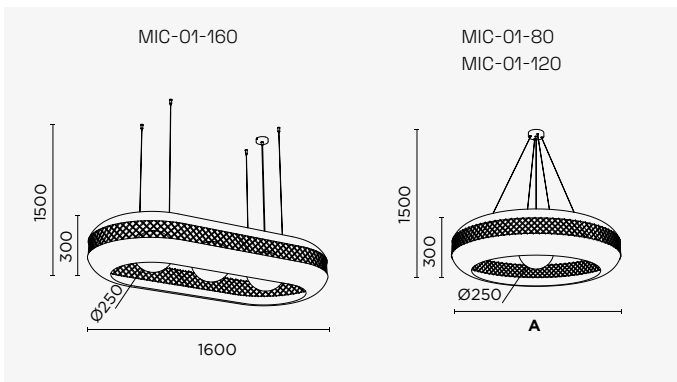
MIA-03-35

Hecho a mano, el producto final puede diferir de la imagen  
Handmade, the final product may differ from the image

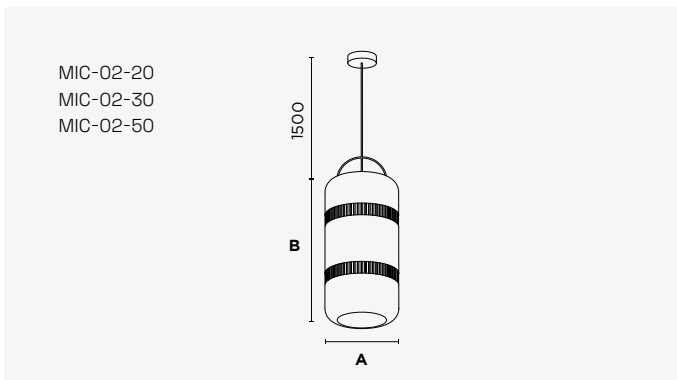


IP20

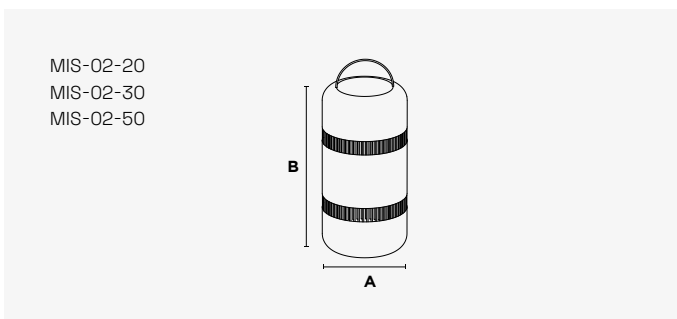
NA BU



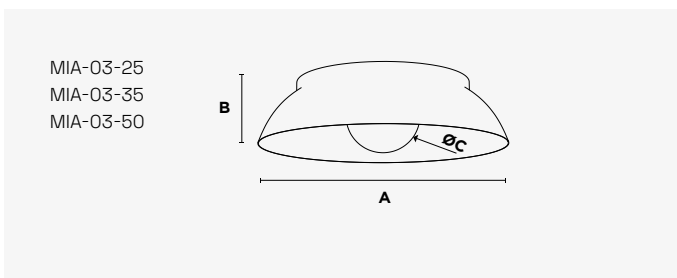
| Ref.       |          |   | A    |
|------------|----------|---|------|
| MIC-01-160 | E-27 LED | ⊕ |      |
| MIC-01-80  | E-27 LED | ⊕ | Ø80  |
| MIC-01-120 | E-27 LED | ⊕ | Ø120 |



| Ref.      |          |   | A    | B    |
|-----------|----------|---|------|------|
| MIC-02-20 | E-27 LED | ⊕ | Ø200 | 300  |
| MIC-02-30 | E-27 LED | ⊕ | Ø300 | 600  |
| MIC-02-50 | E-27 LED | ⊕ | Ø500 | 1000 |



| Ref.      |          |   | A    | B    |
|-----------|----------|---|------|------|
| MIS-02-20 | E-27 LED | ⊞ | Ø200 | 300  |
| MIS-02-30 | E-27 LED | ⊞ | Ø300 | 600  |
| MIS-02-50 | E-27 LED | ⊕ | Ø500 | 1000 |



| Ref.      |          |   | A    | B   | C    |
|-----------|----------|---|------|-----|------|
| MIA-03-25 | G9 LED   | ⊕ | Ø250 | 120 | Ø100 |
| MIA-03-35 | E-27 LED | ⊕ | Ø350 | 130 | Ø150 |
| MIA-03-50 | E-27 LED | ⊕ | Ø500 | 140 | Ø150 |

# Sphere NEW

Hugo Tejada



N

PO



C-242  
2 posiciones

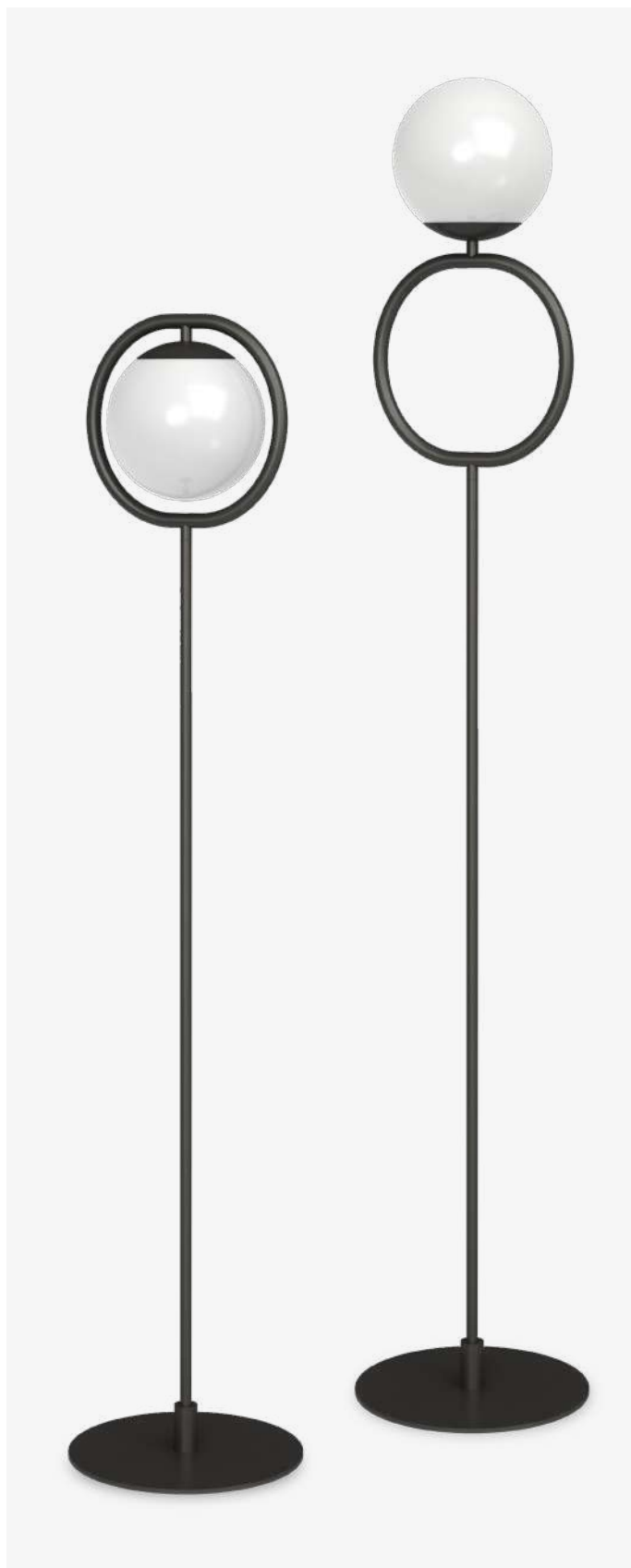




PS-244+ P-243



PS-244



P-243

Sphere



C-242 + A-241



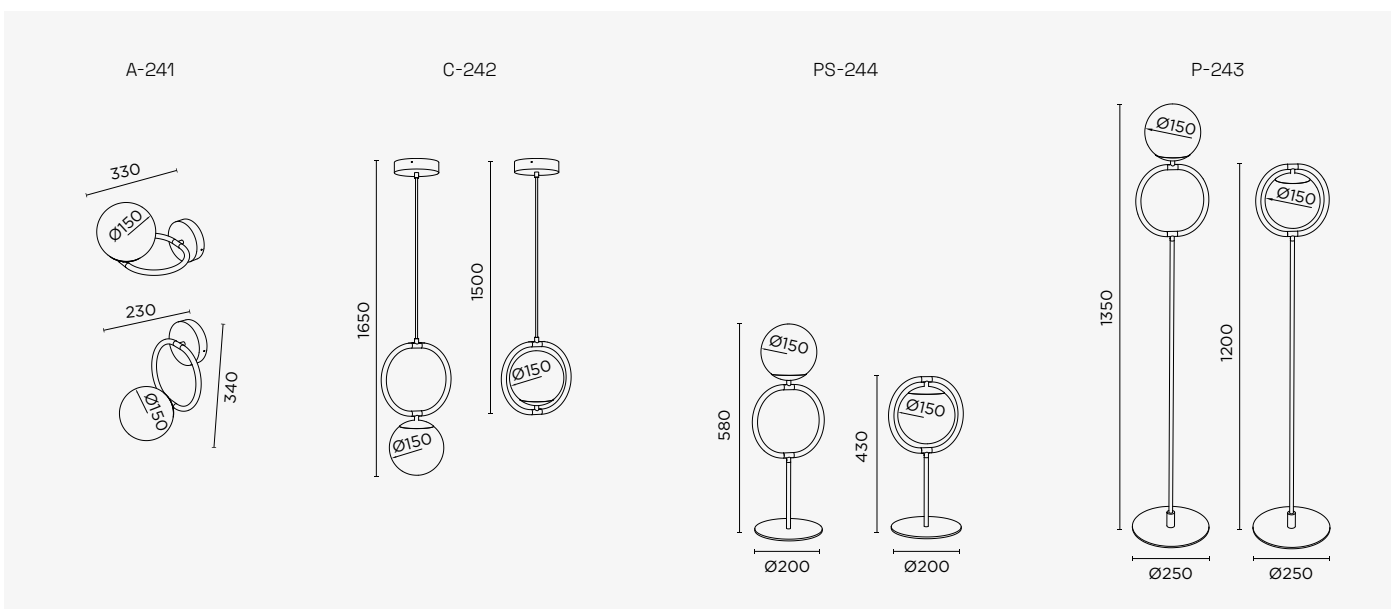
A-241

▽ IP20 RF850°

■ N ■ PO

| Ref.  |          |   |
|-------|----------|---|
| A-241 | E-27 LED | ⊕ |
| C-242 | E-27 LED | ⊕ |

| Ref.   |          |   |
|--------|----------|---|
| PS-244 | E-27 LED | ⊞ |
| P-243  | E-27 LED | ⊕ |



# Duo

NEW

Equipo Pujol





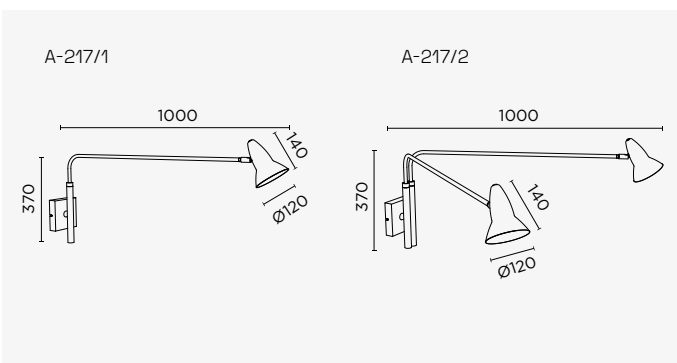


A-217/1

A-217/2

⊕ ⊖ IP20 RF850°

□ B ■ N



Ref.

|         |            |  |
|---------|------------|--|
| A-217/1 | E-14 LED   |  |
| A-217/2 | 2xE-14 LED |  |

# Noa

NEW

Equipo Pujol





PS-207/170



PS-207/260

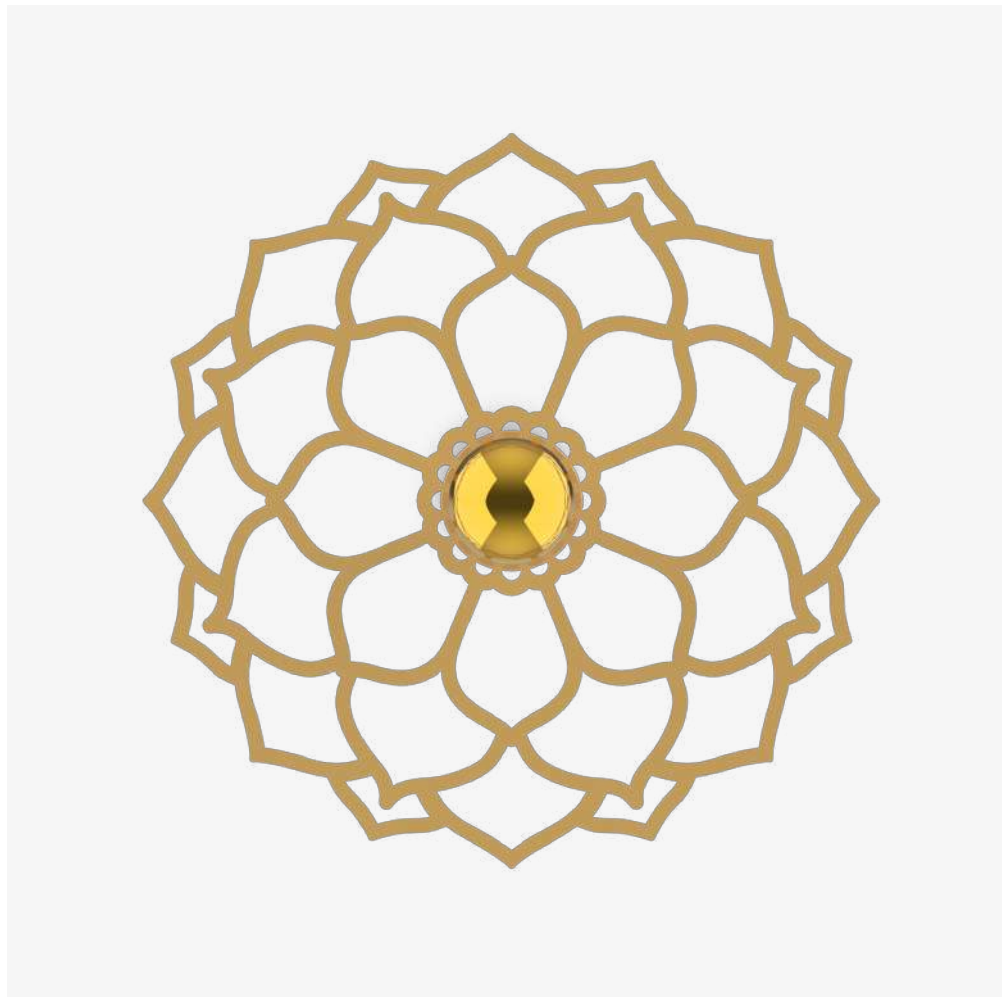
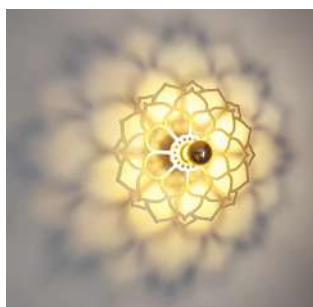
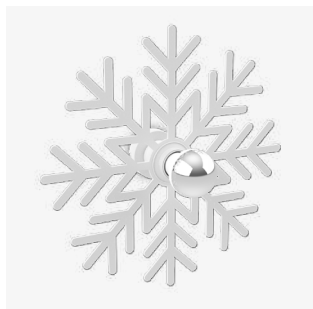
IP20 RF850°

# Nenufar

NEW

Equipo Pujol

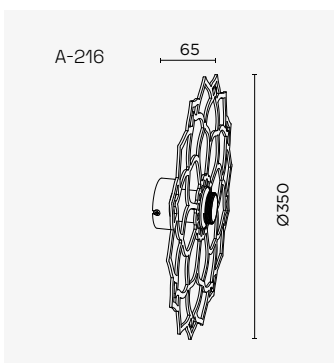




A-216

⊕ ⊖ IP20 RF850°

PO



Ref.

A-216 E-27 LED

# Bateria

Equipo Pujol



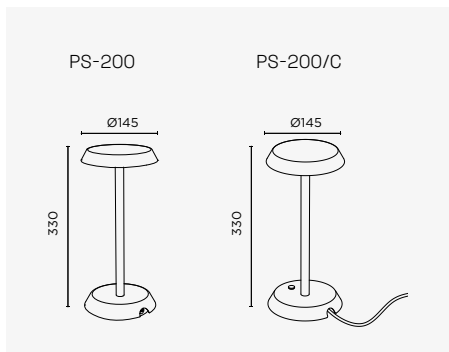


TOUCH DIMMER

PS-200

IP20 TOUCH DIMMER

B  N



| Ref.     |     | W | Lumens | Kelvin |            |
|----------|-----|---|--------|--------|------------|
| PS-200   | LED | 3 | 360    | 3000   | Battery 7h |
| PS-200/C | LED | 7 | 1000   | 3000   |            |

# Circular

Aggo Estudi





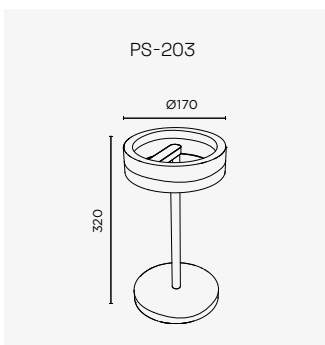



PS-203



 IP20 RF850°  DIMMABLE

B  N

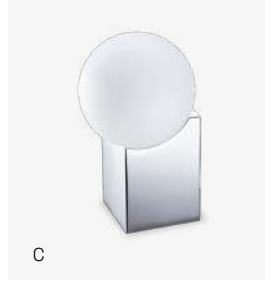
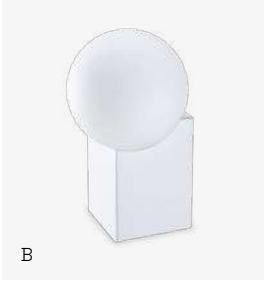


| Ref.   |     | W  | Lumens | Kelvin |  |
|--------|-----|----|--------|--------|--|
| PS-203 | LED | 13 | 1250   | 3000   |  DIMMABLE |

# Cub

Aggo Estudio











PL-177/160

PS-175-100

A-176



PL-177/100



A-176

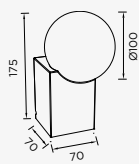
⊕ ⊖ IP20

□ B ■ N ▒ C ■ NM ■ COS

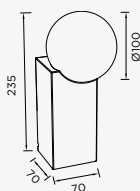
| Ref.       |        |
|------------|--------|
| PS-175/100 | G9 LED |
| PS-175/160 | G9 LED |
| A-176      | G9 LED |

| Ref.       |        |
|------------|--------|
| PL-177/100 | G9 LED |
| PL-177/160 | G9 LED |

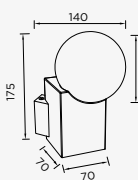
PS-175/100



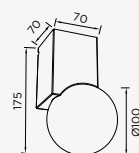
PS-175/160



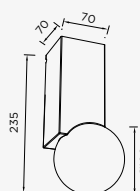
A-176



PL-177/100



PL-177/160



# Balance **NEW**

Equipo Pujol





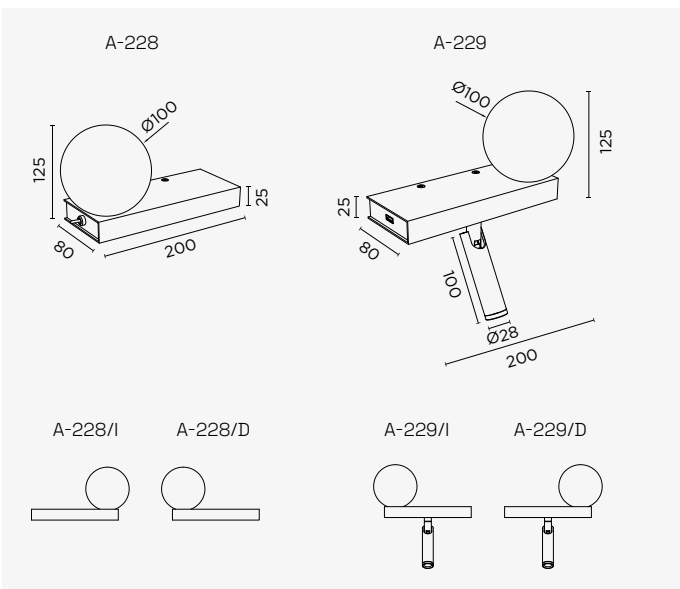


A-228/D

A-229/D

⊕ ⊖ IP20 RF850° USB

□ B ■ N



| Ref.  | W               | Kelvin    |                           |     |
|-------|-----------------|-----------|---------------------------|-----|
| A-228 | G9 LED          | 3000      | 1 x $\odot$ N- $\odot$ FF | USB |
| A-229 | G9 LED<br>+ LED | 3<br>3000 | 2 x $\odot$ N- $\odot$ FF | USB |

# Suau

Equipo Pujol



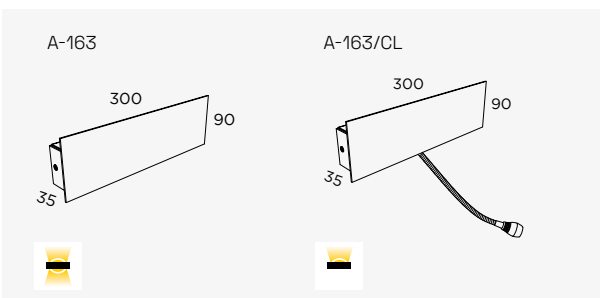


A-163

A-163/CL

⊕ ⊖ IP20 RF850°

■ C ■ NM □ B



| Ref.     |     | W  | Lumens | Kelvin   |
|----------|-----|----|--------|----------|
| A-163    | LED | 16 | 2650   | 3000     |
| A-163/CL | LED | 8  | 1325   | 3000     |
|          |     | 3  | 195    | 3000 30° |

# Sutil **NEW**

Nacho Timón



B

N





A-225/15 + A-225/30

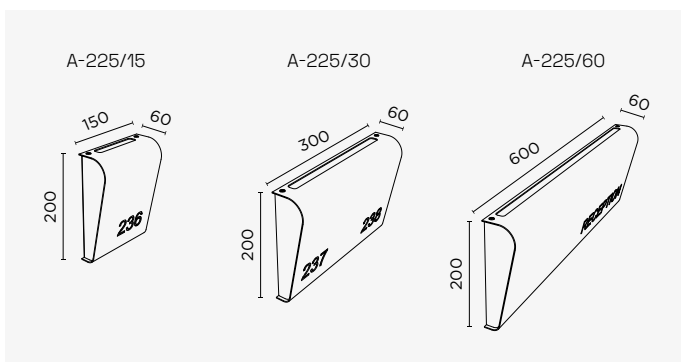


A-225/15

A-225/30

⊕ ⊖ IP20 RF850°

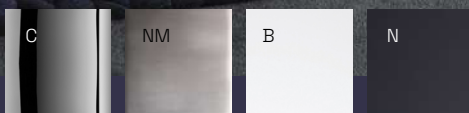
□ B ■ N



| Ref.     |     | W  | Lumens | Kelvin |
|----------|-----|----|--------|--------|
| A-225/15 | LED | 3  | 200    | 3000   |
| A-225/30 | LED | 7  | 500    | 3000   |
| A-225/60 | LED | 10 | 1100   | 3000   |

# Icono

Equipo Pujol





A-205/1



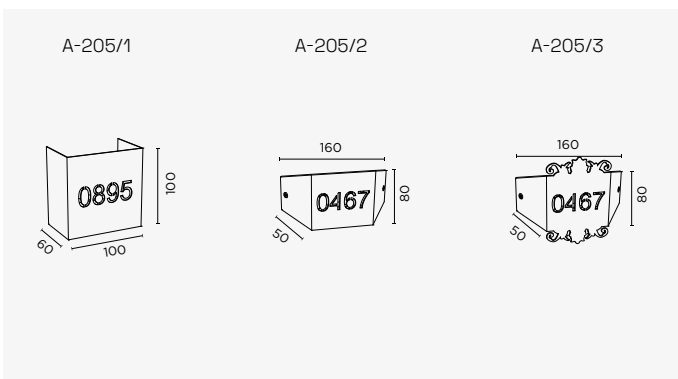
A-205/2



A-205/3

⊕ ⊖ IP20 RF850°

□ B ■ N ▨ C ■ NM



| Ref.    |     | W | Lumens | Kelvin |
|---------|-----|---|--------|--------|
| A-205/1 | LED | 8 | 640    | 3000   |
| A-205/2 | LED | 8 | 640    | 3000   |
| A-205/3 | LED | 8 | 640    | 3000   |



A-205/1



# Signe

Equipo Pujol





A-920/ESP



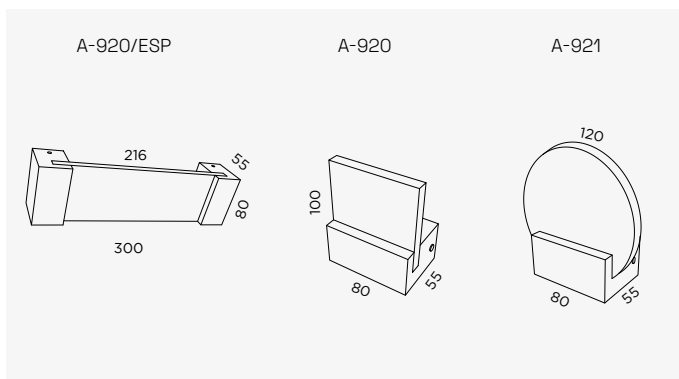
A-920



A-921

⊕ ⊖ IP20 RF850°

AL

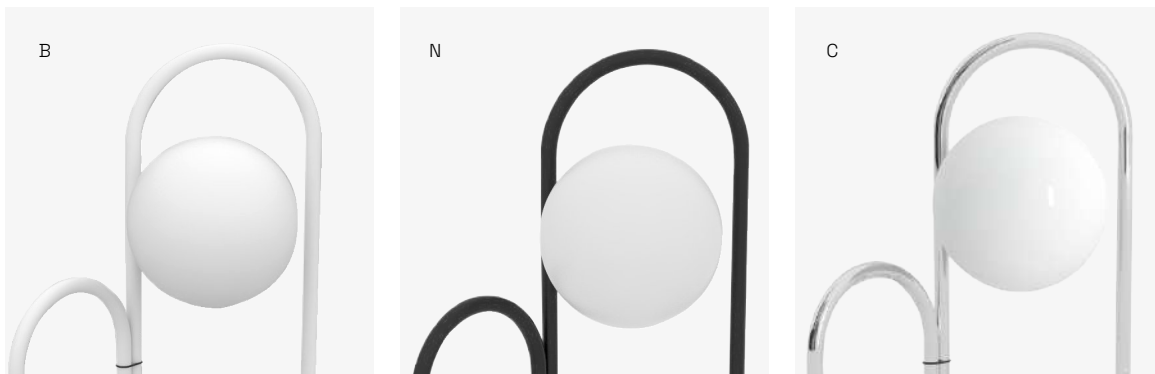


| Ref.      |     | W |
|-----------|-----|---|
| A-920/ESP | LED | 1 |
| A-920     | LED | 1 |
| A-921     | LED | 1 |

# Sunset

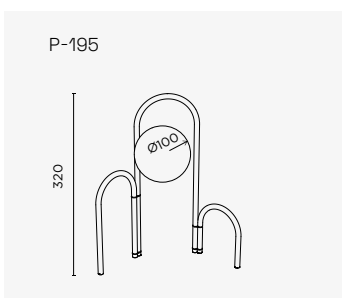
Nacho Timón





□ ▽ IP20 RF850°

□ B ■ N ▒ C

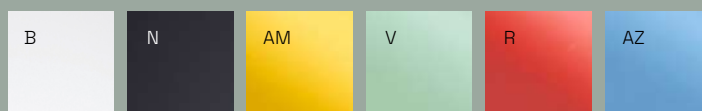


Ref.

PS-195 G9 LED recommended

# Boina

Nacho Timón



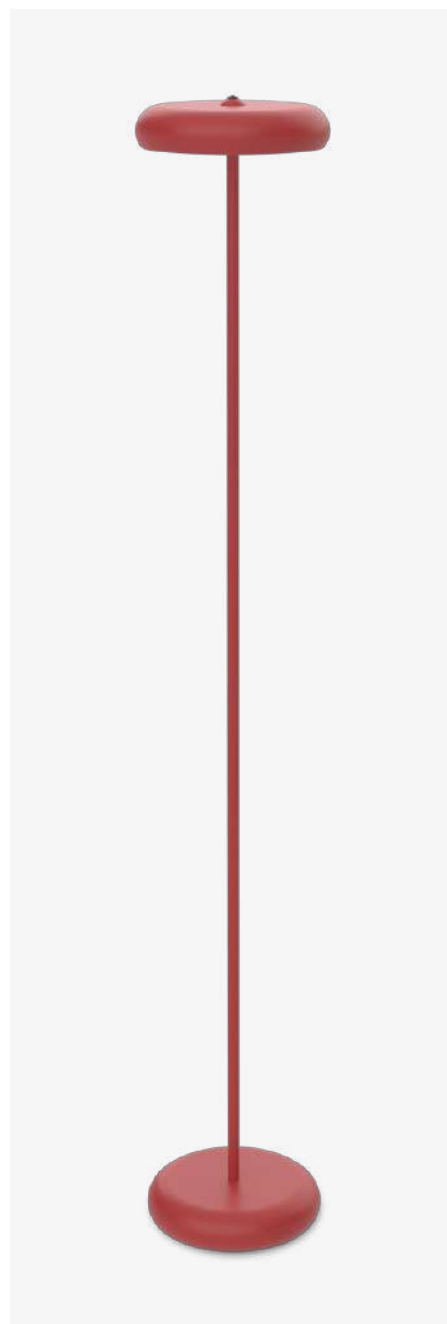






PS-231

P-230

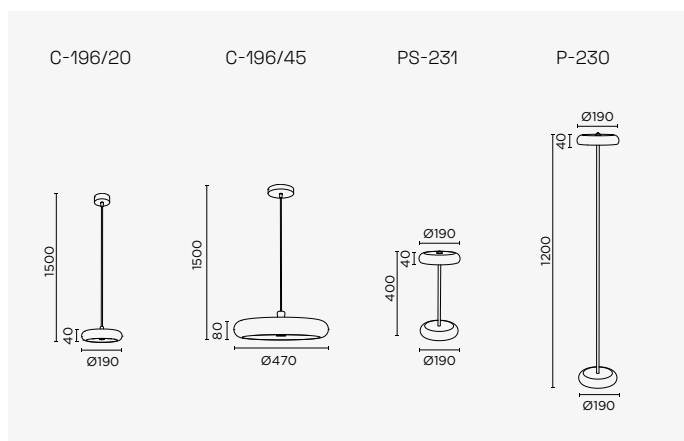


PS-231 **NEW**

P-230 **NEW**

IP20 **DIMMABLE**

B 
  N 
  AM 
  AZ 
  V 
  R



| Ref.     |                | W  | Lumens | Kelvin |                 |   |
|----------|----------------|----|--------|--------|-----------------|---|
| C-196/20 | LED            | 7  | 1050   | 3000   | <b>DIMMABLE</b> | ⊕ |
| C-196/45 | LED            | 19 | 3350   | 3000   | <b>DIMMABLE</b> | ⊕ |
| PS-231   | <b>NEW</b> LED | 7  | 1050   | 3000   | <b>DIMMABLE</b> | ⊞ |
| P-230    | <b>NEW</b> LED | 7  | 1050   | 3000   | <b>DIMMABLE</b> | ⊕ |

# Key

Hugo Tejada



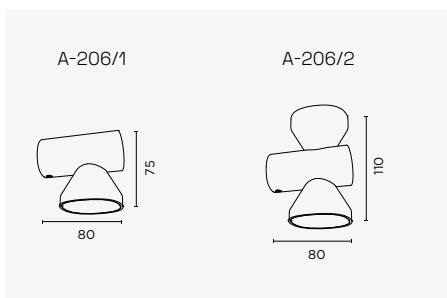


A-206/1

A-206/2

⊕ ⊖ IP20 RF850°

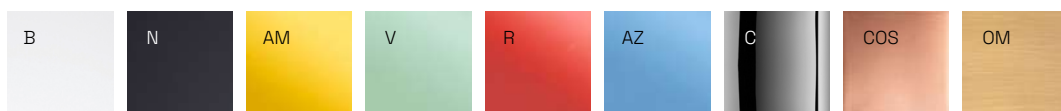
□ B ■ N ■ AM ■ AZ ■ V ■ R ■ C ■ COS ■ OM



| Ref.    |     | W  | Lumens | Kelvin |
|---------|-----|----|--------|--------|
| A-206/1 | LED | 8  | 640    | 3000   |
| A-206/2 | LED | 16 | 1280   | 3000   |

# Tomas

Hugo Tejada





P-186

C-182

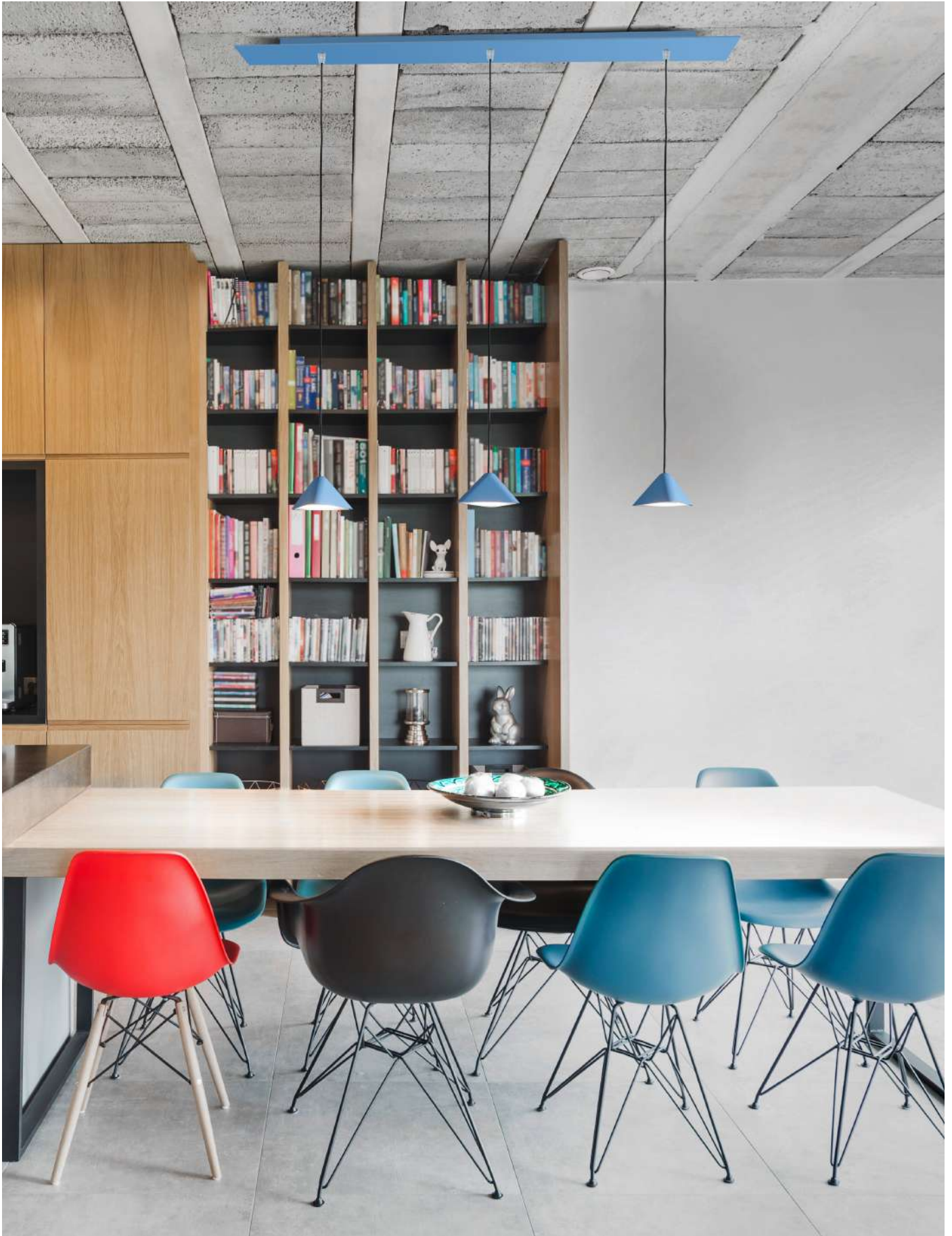
A-181

PS-184







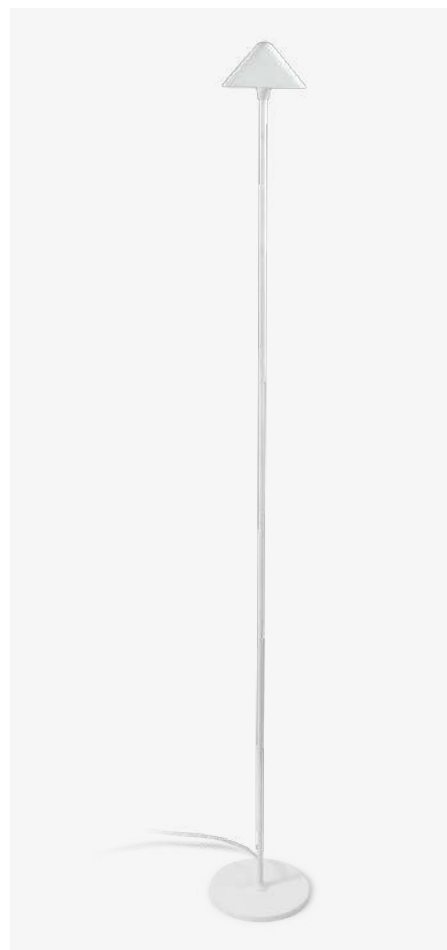




ACCESORIO/  
ACCESSORY



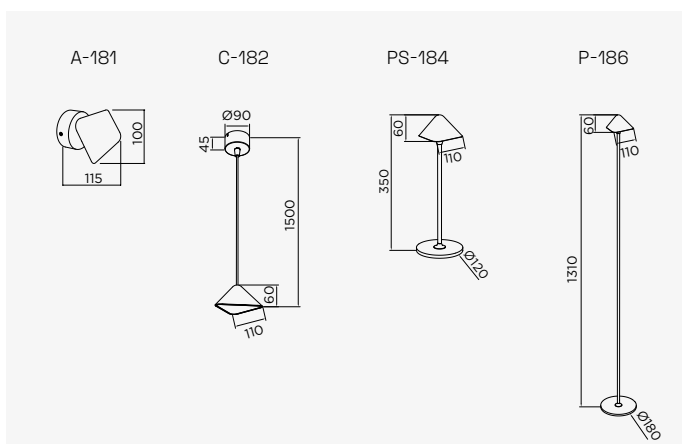
C-182



P-186

IP20 RF850°

B 
  N 
  AM 
  AZ 
  V 
  R 
  C 
  COS 
  OM



| Ref.          |     | W | Lumens | Kelvin |  |  |
|---------------|-----|---|--------|--------|--|--|
| <b>A-181</b>  | LED | 8 | 960    | 3000   |  |  |
| <b>C-182</b>  | LED | 8 | 960    | 3000   |  |  |
| <b>PS-184</b> | LED | 8 | 960    | 3000   |  |  |
| <b>P-186</b>  | LED | 8 | 960    | 3000   |  |  |

# Mini Maxi NEW

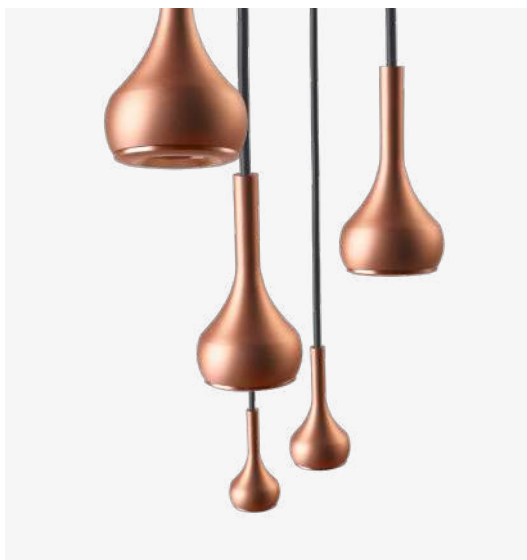
Nacho Timón







C-210



C-210

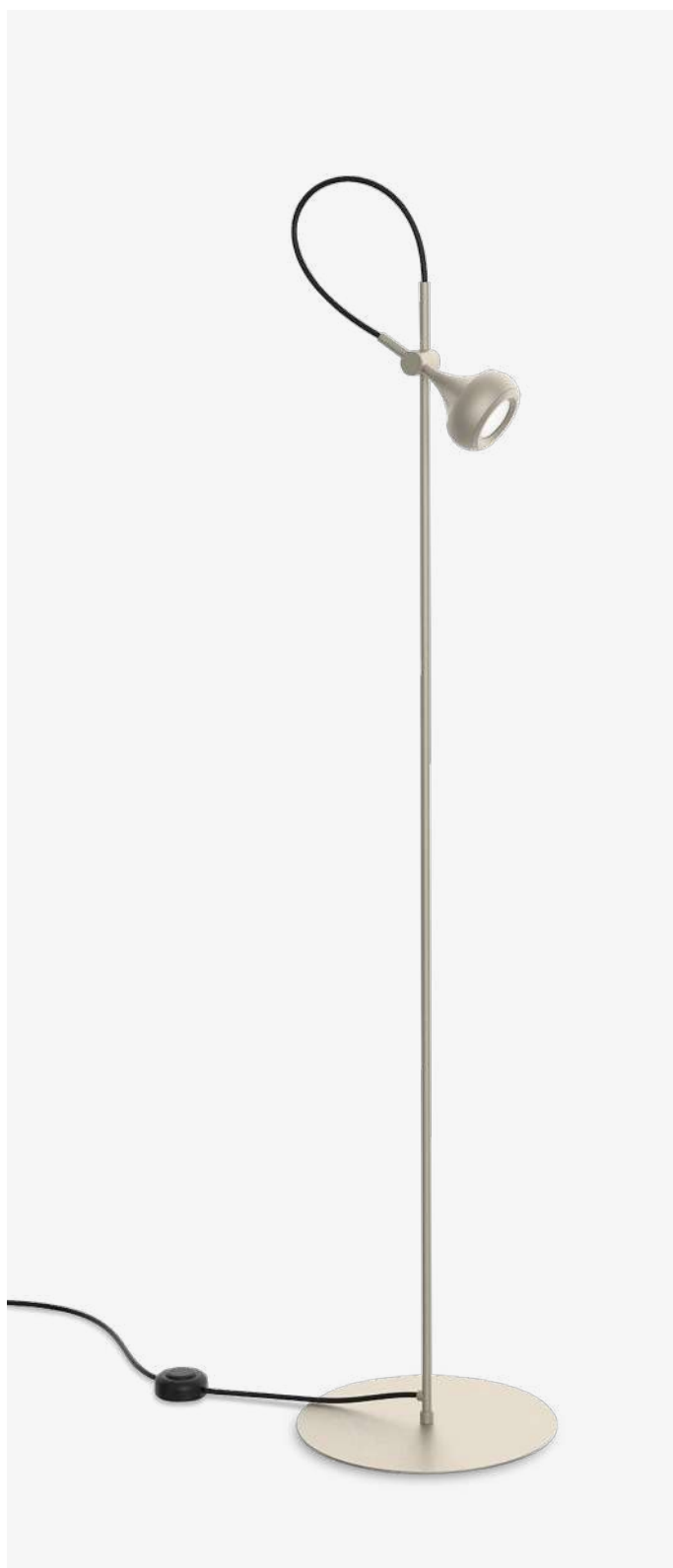


C-211



P-215





PS-213

P-215



A-208



A-208



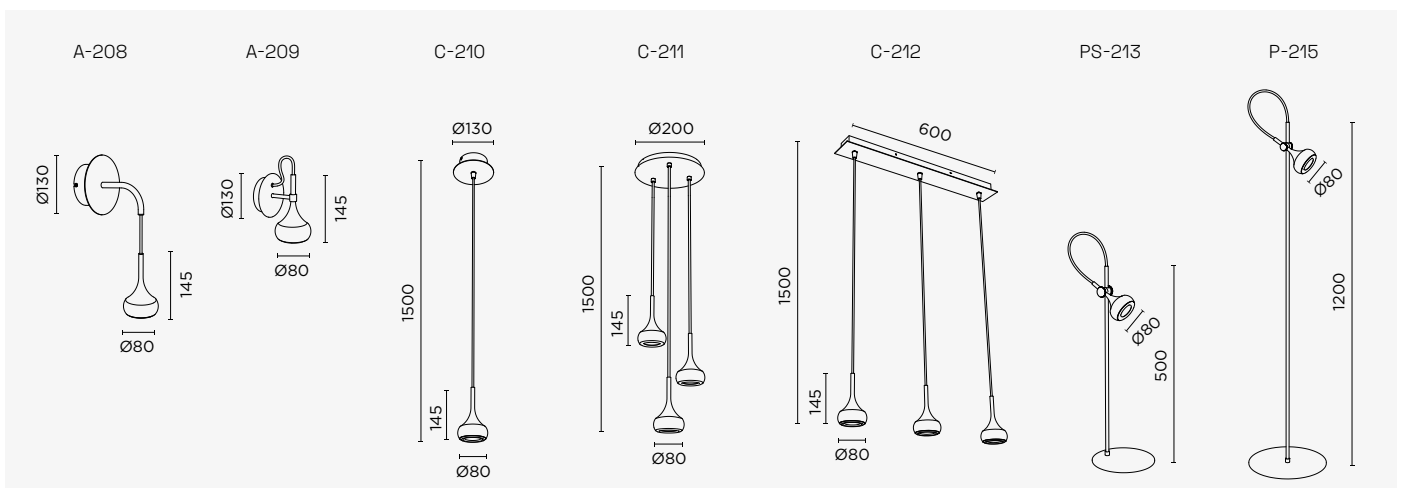
A-209

IP20 RF850°

□ B ■ N ▣ C ■ NM ■ COS

| Ref.  | W       | Lumens | Kelvin |          |   |
|-------|---------|--------|--------|----------|---|
| A-208 | LED 8   | 960    | 3000   | DIMMABLE | ⊕ |
| A-209 | LED 8   | 960    | 3000   | DIMMABLE | ⊕ |
| C-210 | LED 8   | 960    | 3000   | DIMMABLE | ⊕ |
| C-211 | LED 3x8 | 3x960  | 3000   | DIMMABLE | ⊕ |
| C-212 | LED 3x8 | 3x960  | 3000   | DIMMABLE | ⊕ |

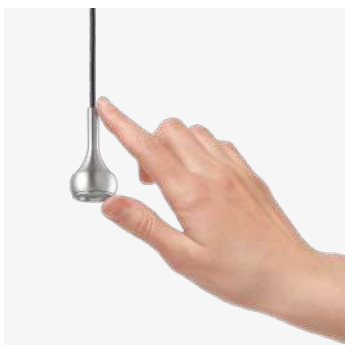
| Ref.   | W     | Lumens | Kelvin |   |
|--------|-------|--------|--------|---|
| PS-213 | LED 8 | 960    | 3000   | □ |
| P-215  | LED 8 | 960    | 3000   | ⊕ |



# Mini

Nacho Timón







C-197/14





C-198/13





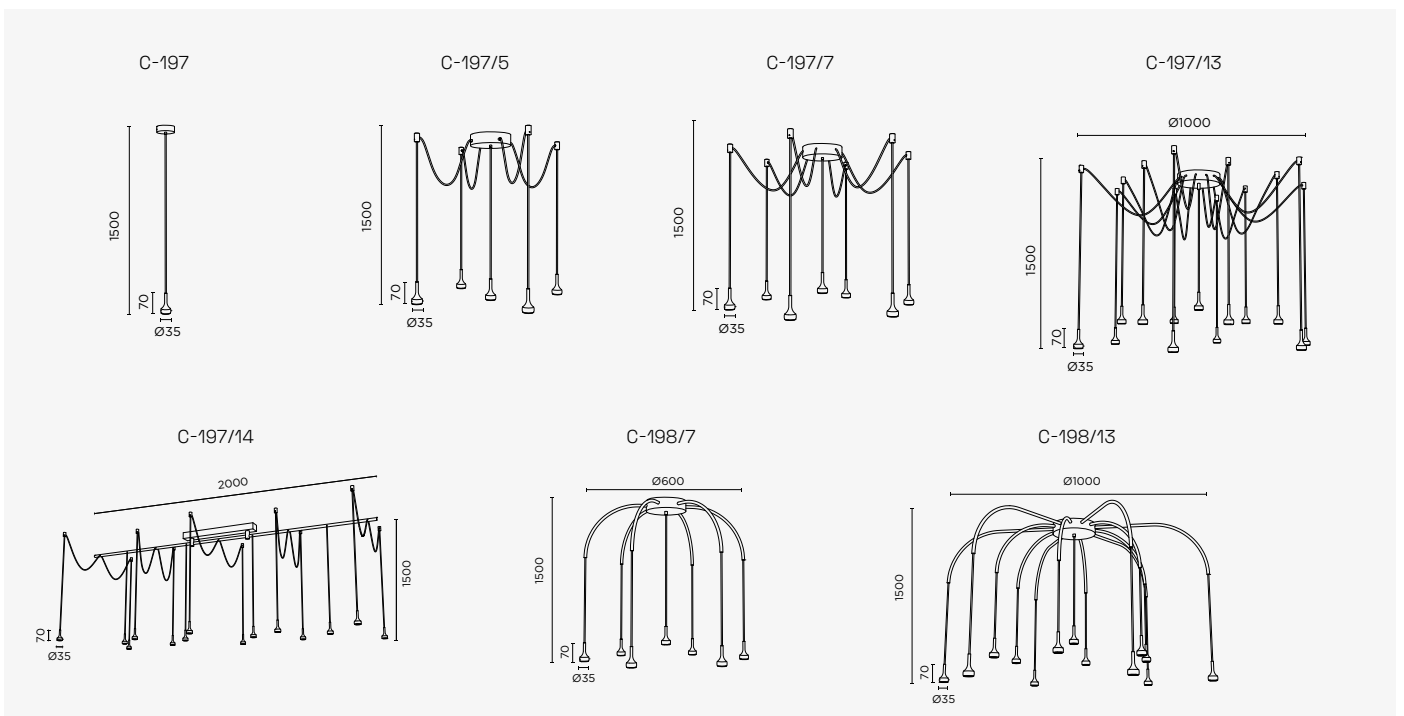
C-198/7

⊕ ⊖ IP20 RF850°

□ B ■ N ▒ C ■ NM ■ COS

| Ref.     |     | W  | Lumens | Kelvin |
|----------|-----|----|--------|--------|
| C-197    | LED | 3  | 195    | 3000   |
| C-197/5  | LED | 15 | 975    | 3000   |
| C-197/7  | LED | 21 | 1365   | 3000   |
| C-197/13 | LED | 39 | 2535   | 3000   |
| C-197/14 | LED | 42 | 2730   | 3000   |

| Ref.     |     | W  | Lumens | Kelvin |
|----------|-----|----|--------|--------|
| C-198/7  | LED | 21 | 1365   | 3000   |
| C-198/13 | LED | 39 | 2535   | 3000   |



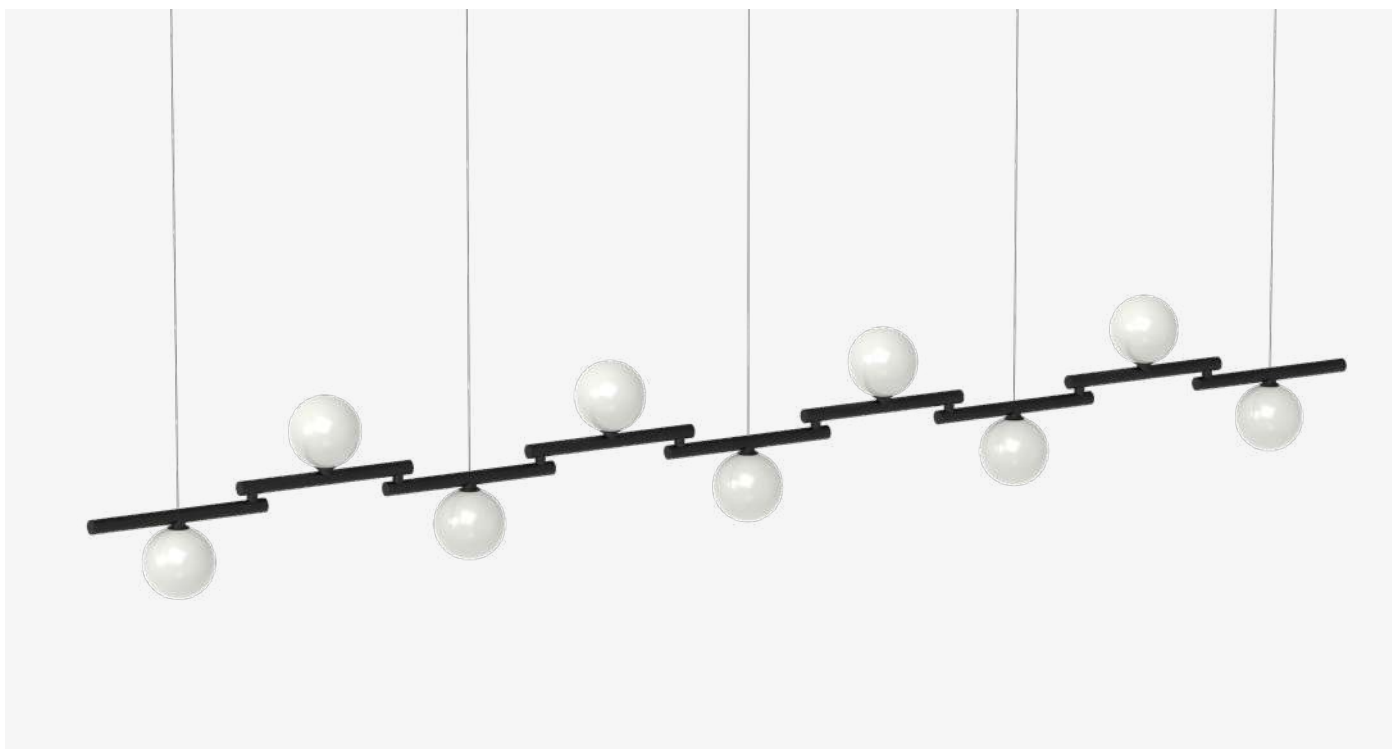
# Zen **NEW**

Hugo Tejada



N

PO

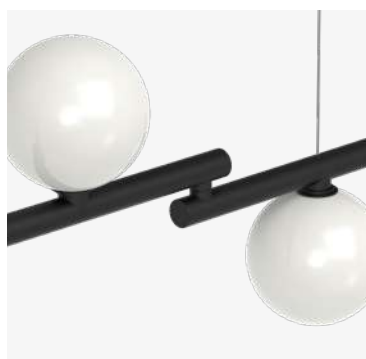
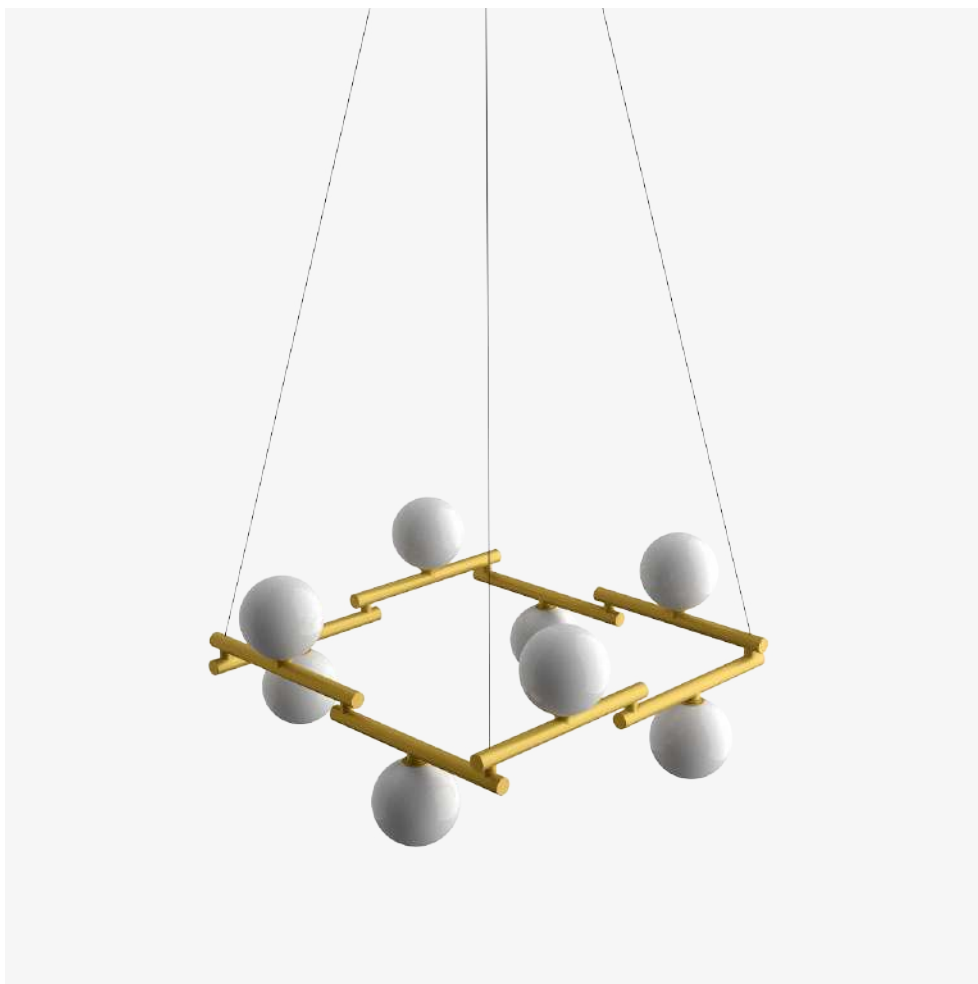


C-237/5

C-237/9



C-239/10

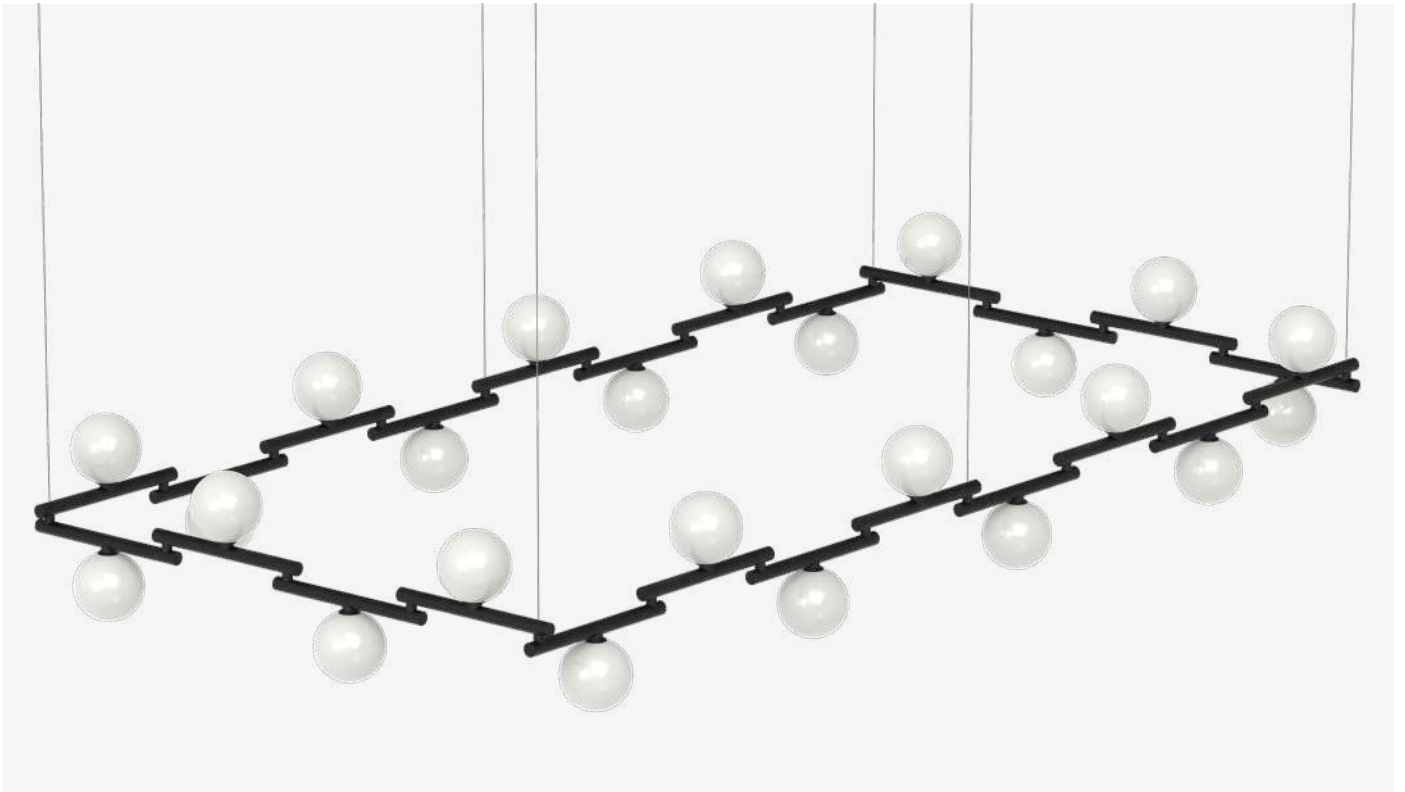


C-238/8

C-238/12



C-239/24



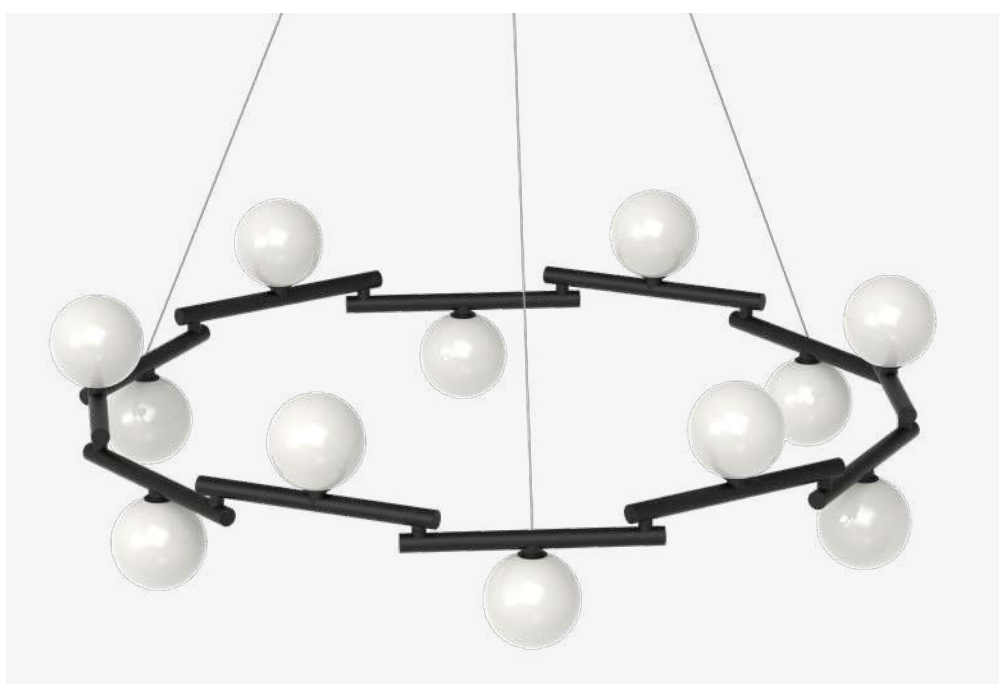
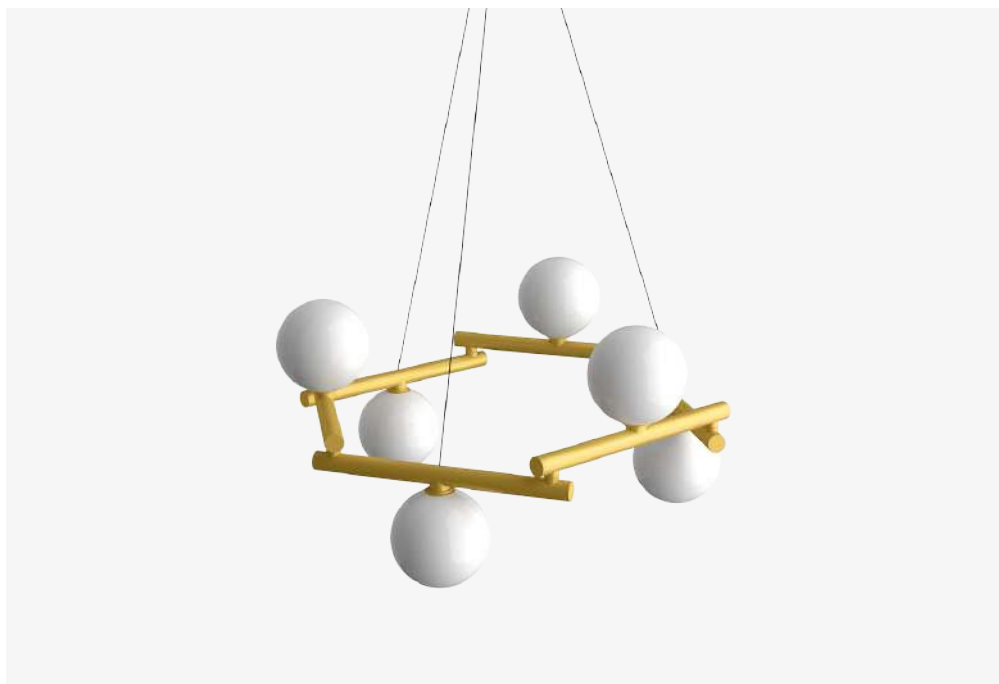
C-239/10

C-239/24



C-240/8





C-240/6

C-240/8

C-240/10



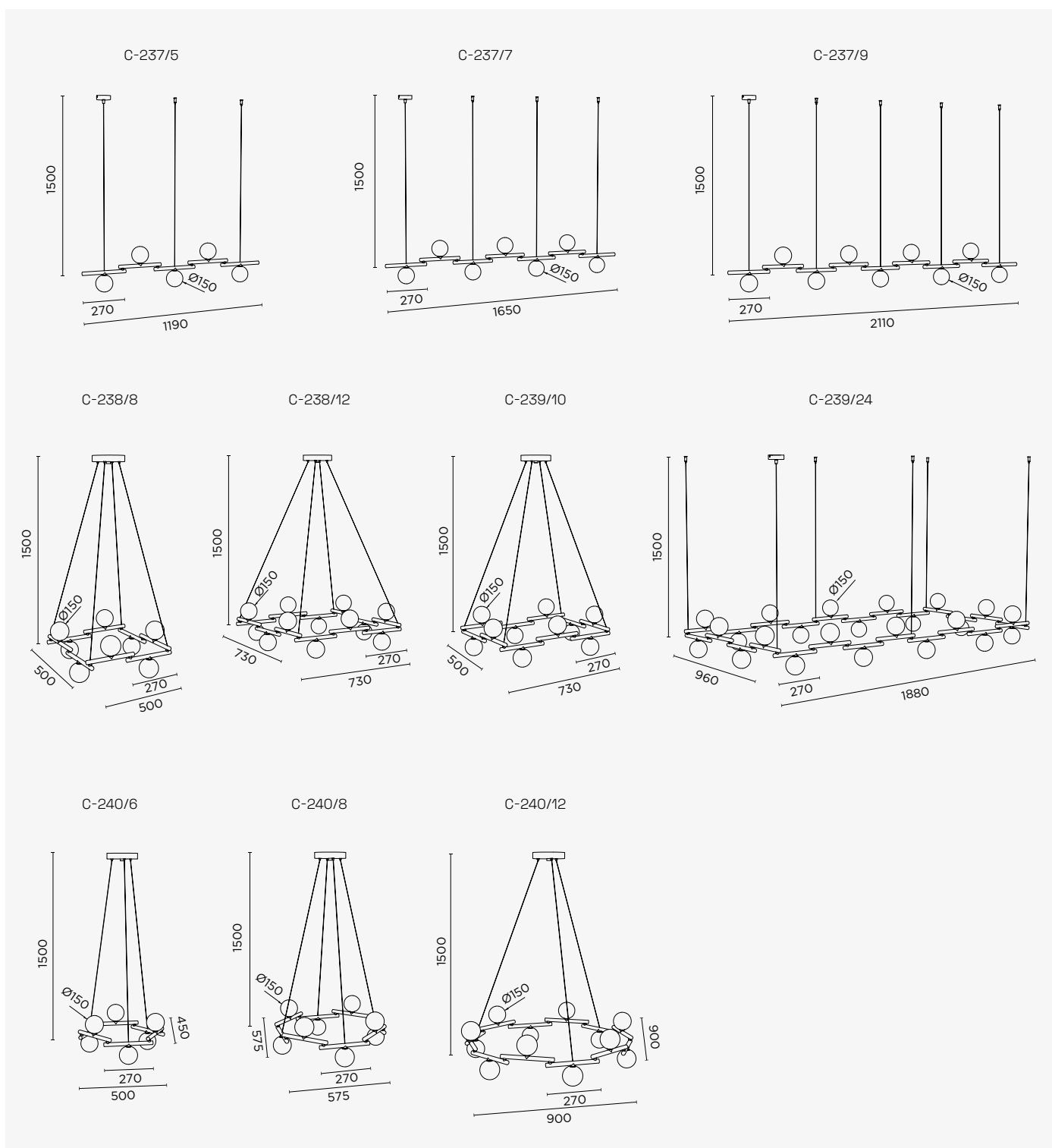
C-240/6 +  
C-240/12

⊕ ⊖ IP20 RF850°

■ N ■ PO

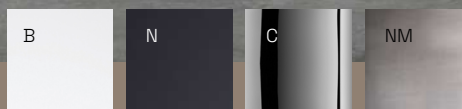
| Ref.     |             |
|----------|-------------|
| C-237/5  | 5xE-27 LED  |
| C-237/7  | 7xE-27 LED  |
| C-237/9  | 9xE-27 LED  |
| C-238/8  | 8xE-27 LED  |
| C-238/12 | 12xE-27 LED |

| Ref.     |             |
|----------|-------------|
| C-239/10 | 10xE-27 LED |
| C-239/24 | 24xE-27 LED |
| C-240/6  | 6xE-27 LED  |
| C-240/8  | 8xE-27 LED  |
| C-240/12 | 12xE-27 LED |



# Prim

Equipo Pujol





A-155/120

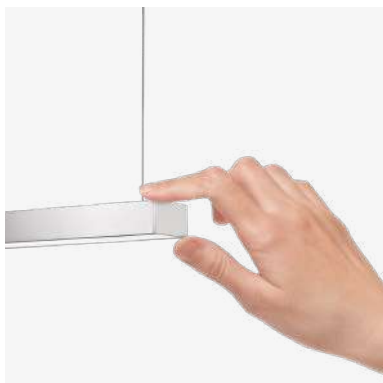
A-155/90

A-155/30

Prim



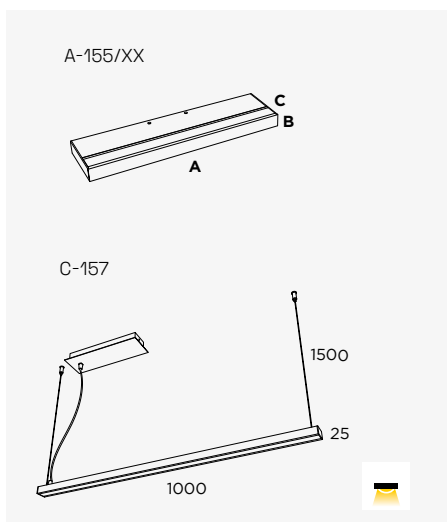
C-157



C-157

⊕ ⊖ IP20

□ B ■ N ▨ C ■ NM



| Ref.      |     | W  | Lumens | Kelvin | A    | B  | C   |
|-----------|-----|----|--------|--------|------|----|-----|
| A-155/30  | LED | 16 | 2650   | 3000   | 300  | 25 | 100 |
| A-155/60  | LED | 32 | 5300   | 3000   | 600  | 25 | 100 |
| A-155/90  | LED | 47 | 7950   | 3000   | 900  | 25 | 100 |
| A-155/120 | LED | 62 | 10600  | 3000   | 1200 | 25 | 100 |
| C-157     | LED | 23 | 4000   | 3000   |      |    |     |

# Iris

Equipo Pujol





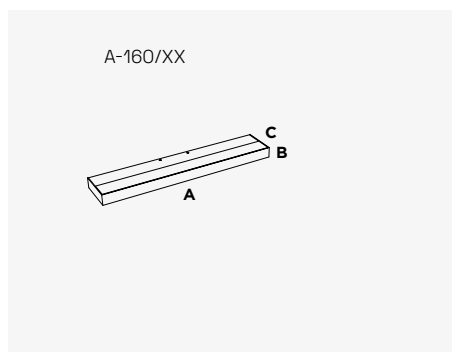


A-160/60

A-160/30

⊕ ⊖ IP20 RF850°

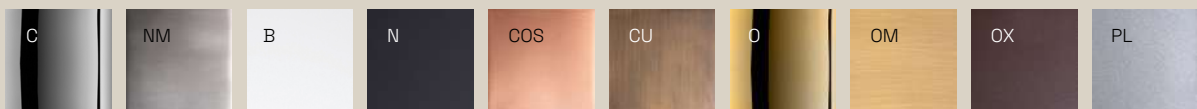
□ B ■ N ▒ C ■ NM



| Ref.      |     | W  | Lumens | Kelvin |          | A    | B  | C   |
|-----------|-----|----|--------|--------|----------|------|----|-----|
| A-160/30  | LED | 16 | 2650   | 3000   | DIMMABLE | 300  | 36 | 100 |
| A-160/60  | LED | 32 | 5300   | 3000   | DIMMABLE | 600  | 36 | 100 |
| A-160/90  | LED | 47 | 7950   | 3000   | DIMMABLE | 900  | 36 | 100 |
| A-160/120 | LED | 62 | 10600  | 3000   | DIMMABLE | 1200 | 36 | 100 |

# Apolo

Equipo Pujol

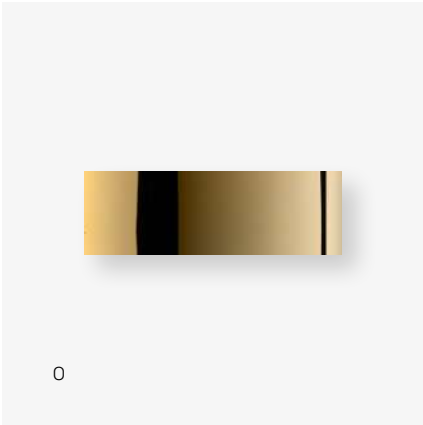
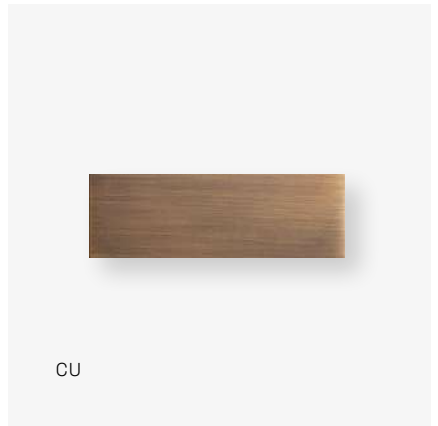
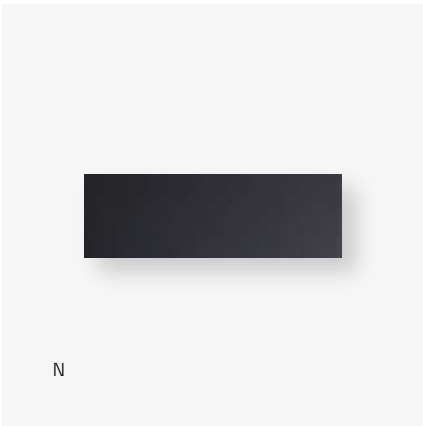
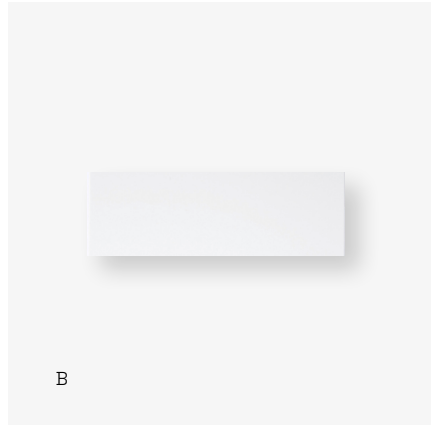
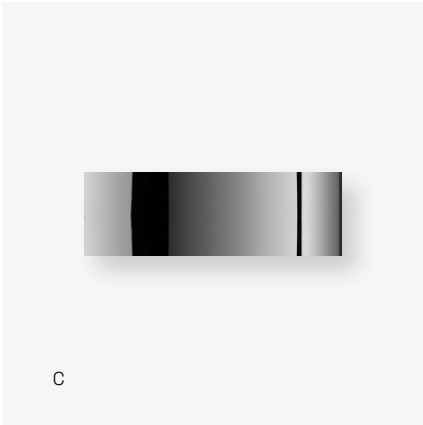




A-812/90

A-812/120

A-811/150







A-811/40



PL-881/35 LED

PL-881/20 LED



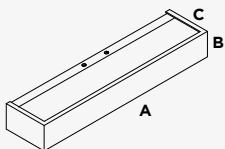
PL-881/50 LED



C-824/120 LED



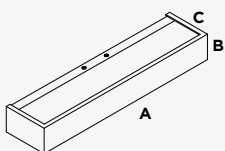
A-812 / XX



| Ref.      |     | W  | Lumens | Kelvin |          | A    | B  | C   |
|-----------|-----|----|--------|--------|----------|------|----|-----|
| A-812     | LED | 8  | 1300   | 3000   | DIMMABLE | 100  | 50 | 100 |
| A-812/15  | LED | 16 | 2650   | 3000   | DIMMABLE | 150  | 50 | 100 |
| A-812/30  | LED | 16 | 2650   | 3000   | DIMMABLE | 300  | 50 | 100 |
| A-812/60  | LED | 32 | 5300   | 3000   | DIMMABLE | 600  | 50 | 100 |
| A-812/90  | LED | 47 | 7950   | 3000   | DIMMABLE | 900  | 50 | 100 |
| A-812/120 | LED | 62 | 10600  | 3000   | DIMMABLE | 1200 | 50 | 100 |
| A-812/150 | LED | 78 | 13250  | 3000   | DIMMABLE | 1500 | 50 | 100 |

Cromo sólo venta USA / ESP / POR  
 Chrome only for USA / ESP / POR

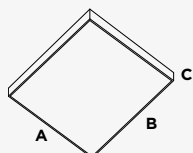
A-811 / XX



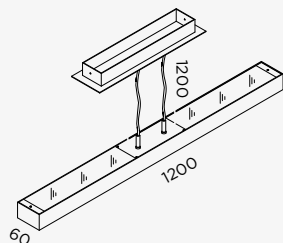
| Ref.          |                 | W  | Lumens | Kelvin | IP   | A    | B  | C   |
|---------------|-----------------|----|--------|--------|------|------|----|-----|
| A-811         | G9 LED          |    |        |        | IP44 | 100  | 50 | 100 |
| A-811/15      | R7s LED 118mm   |    |        |        | IP44 | 150  | 50 | 100 |
| A-811/15 LED  | LED             | 12 | 860    | 3000   | IP20 | 150  | 50 | 100 |
| A-811/25      | R7s LED 118mm   |    |        |        | IP44 | 250  | 50 | 100 |
| A-811/25 LED  | LED             | 12 | 860    | 3000   | IP20 | 250  | 50 | 100 |
| A-811/40      | 2xR7s LED 118mm |    |        |        | IP44 | 400  | 50 | 100 |
| A-811/40 LED  | LED             | 19 | 1400   | 3000   | IP20 | 400  | 50 | 100 |
| A-811/60      | 3xR7s LED 118mm |    |        |        | IP44 | 600  | 50 | 100 |
| A-811/60 LED  | LED             | 19 | 1400   | 3000   | IP20 | 600  | 50 | 100 |
| A-811/80      | 2xT5            | 24 |        |        | IP20 | 800  | 50 | 100 |
| A-811/80 LED  | LED             | 29 | 2100   | 3000   | IP20 | 800  | 50 | 100 |
| A-811/80/HL   | 4xR7s LED 118mm |    |        |        | IP44 | 800  | 50 | 100 |
| A-811/120     | 1xT5            | 54 |        |        | IP20 | 1200 | 50 | 100 |
| A-811/120 LED | LED             | 44 | 3300   | 3000   | IP20 | 1200 | 50 | 100 |
| A-811/120/HL  | 5xR7s LED 118mm |    |        |        | IP44 | 1200 | 50 | 100 |
| A-811/150     | 1xT5            | 80 |        |        | IP20 | 1500 | 50 | 100 |
| A-811/150 LED | LED             | 56 | 4200   | 3000   | IP20 | 1500 | 50 | 100 |
| A-811/150/HL  | 6xR7s LED 118mm |    |        |        | IP44 | 1500 | 50 | 100 |

Cromo sólo venta USA / ESP / POR  
 Chrome only for USA / ESP / POR

PL-881 / XX



C-824 / 120 LED



| Ref.          |     | W  | Lumens | Kelvin |  | A   | B   | C  |
|---------------|-----|----|--------|--------|--|-----|-----|----|
| PL-881/20 LED | LED | 17 | 2220   | 3000   |  | 200 | 200 | 70 |
| PL-881/35 LED | LED | 20 | 3200   | 3000   |  | 350 | 350 | 70 |
| PL-881/50 LED | LED | 34 | 4600   | 3000   |  | 500 | 500 | 70 |
| C-824/120 LED | LED | 40 | 3300   | 3000   |  |     |     |    |

# Apolo emergency

emergency 1H / 20%



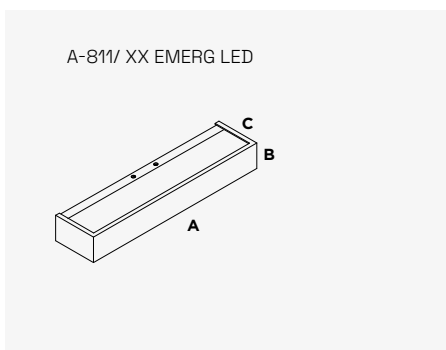
A-811/40 EMERG LED



A-811/25 EMERG LED

⊕ ⊖ IP20 RF850°

■ C ■ NM □ B ■ PL



| Ref.               |     | W  | Lumens | Kelvin | A   | B  | C   |
|--------------------|-----|----|--------|--------|-----|----|-----|
| A-811/25 EMERG LED | LED | 16 | 2750   | 3000   | 250 | 50 | 140 |
| A-811/40 EMERG LED | LED | 18 | 2900   | 3000   | 400 | 50 | 120 |
| A-811/60 EMERG LED | LED | 32 | 5300   | 3000   | 600 | 50 | 100 |

# Apolo IP65





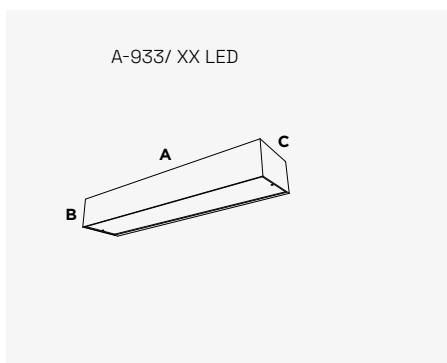
A-933/25 LED



A-933/40 LED

⊕ ⊖ IP65 RF850°

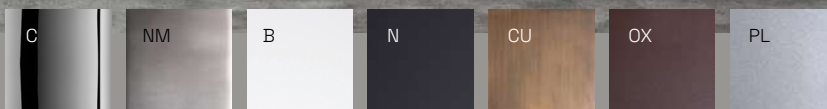
□ B ■ N ▒ PL



| Ref.         |     | W  | Lumens | Kelvin | A   | B  | C   |
|--------------|-----|----|--------|--------|-----|----|-----|
| A-933/25 LED | LED | 16 | 2500   | 3000   | 250 | 60 | 100 |
| A-933/40 LED | LED | 16 | 2700   | 3000   | 400 | 60 | 100 |

# Arcos

Equipo Pujol





A-914/30



A-914/15





A-914/90

A-914/60

A-914/30





A-911/120



A-911/80



A-913/60 LED



A-913/90 LED



PL-912-40 LED

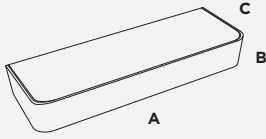


PL-912/60 LED

IP20 RF850° DIMMABLE

C NM B N CU OX PL

A-914 / XX

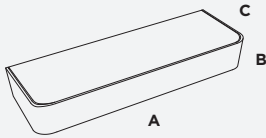


| Ref.      |     | W  | Lumens | Kelvin |          | A    | B  | C   |
|-----------|-----|----|--------|--------|----------|------|----|-----|
| A-914/15  | LED | 16 | 2650   | 3000   | DIMMABLE | 150  | 45 | 100 |
| A-914/30  | LED | 16 | 2650   | 3000   | DIMMABLE | 300  | 45 | 100 |
| A-914/60  | LED | 32 | 5300   | 3000   | DIMMABLE | 600  | 45 | 100 |
| A-914/90  | LED | 47 | 7950   | 3000   | DIMMABLE | 900  | 45 | 100 |
| A-914/120 | LED | 62 | 10600  | 3000   | DIMMABLE | 1200 | 45 | 100 |
| A-914/150 | LED | 78 | 13250  | 3000   | DIMMABLE | 1500 | 45 | 100 |

IP20 RF850°

C NM B

A-911 / XX

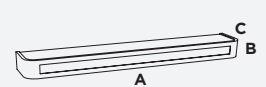


| Ref.          |                 | W       | Lumens | Kelvin |  | A    | B  | C   |
|---------------|-----------------|---------|--------|--------|--|------|----|-----|
| A-911/15      | 1xR7s LED 118mm |         |        |        |  | 150  | 45 | 100 |
| A-911/15 LED  | LED             | 12      | 860    | 3000   |  | 150  | 45 | 100 |
| A-911/25      | 1xR7s LED 118mm |         |        |        |  | 250  | 45 | 100 |
| A-911/25 LED  | LED             | 12      | 860    | 3000   |  | 250  | 45 | 100 |
| A-911/40      | 2xR7s LED 118mm |         |        |        |  | 400  | 45 | 100 |
| A-911/40 LED  | LED             | 19      | 1400   | 3000   |  | 400  | 45 | 100 |
| A-911/60      | 3xR7s LED 118mm |         |        |        |  | 600  | 45 | 100 |
| A-911/60 LED  | LED             | 19      | 1400   | 3000   |  | 600  | 45 | 100 |
| A-911/80      | 2xT5            | 24 max. |        |        |  | 800  | 45 | 100 |
| A-911/80 LED  | LED             | 29      | 2150   | 3000   |  | 800  | 45 | 100 |
| A-911/120     | 1xT5            | 54 max. |        |        |  | 1200 | 45 | 100 |
| A-911/120 LED | LED             | 44      | 3300   | 3000   |  | 1200 | 45 | 100 |
| A-911/150     | 1xT5            | 80 max. |        |        |  | 1500 | 45 | 100 |
| A-911/150 LED | LED             | 56      | 4150   | 3000   |  | 1500 | 45 | 100 |

IP20 RF850°

C NM B

A-913 / XX

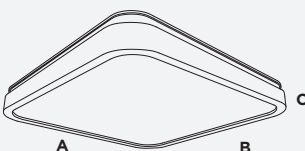


| Ref.          |      | W  | Lumens | Kelvin |  | A    | B  | C   |
|---------------|------|----|--------|--------|--|------|----|-----|
| A-913/60      | 1xT5 | 24 |        |        |  | 600  | 45 | 100 |
| A-913/60 LED  | LED  | 16 | 2650   | 3000   |  | 600  | 45 | 100 |
| A-913/90      | 1xT5 | 39 |        |        |  | 900  | 45 | 100 |
| A-913/90 LED  | LED  | 23 | 4000   | 3000   |  | 900  | 45 | 100 |
| A-913/120     | 1xT5 | 54 |        |        |  | 1200 | 45 | 100 |
| A-913/120 LED | LED  | 31 | 5300   | 3000   |  | 1200 | 45 | 100 |
| A-913/150     | 1xT5 | 80 |        |        |  | 1500 | 45 | 100 |
| A-913/150 LED | LED  | 39 | 6650   | 3000   |  | 1500 | 45 | 100 |

IP20 RF850°

C NM

PL-912 - XX



| Ref.          |     | W  | Lumens | Kelvin |  | A   | B   | C  |
|---------------|-----|----|--------|--------|--|-----|-----|----|
| PL-912-20 LED | LED | 17 | 2220   | 3000   |  | 200 | 200 | 70 |
| PL-912-40 LED | LED | 23 | 3300   | 3000   |  | 400 | 400 | 70 |
| PL-912-60 LED | LED | 35 | 4600   | 3000   |  | 600 | 600 | 70 |

# Opal

Hugo Tejada







A-869/15

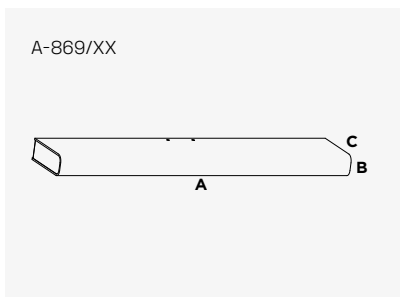
A-869/60

A-869/120



⊕ ⊖ IP20 RF850° DIMMABLE

■ C ■ NM



| Ref.      |     | W  | Lumens | Kelvin |          | A    | B  | C   |
|-----------|-----|----|--------|--------|----------|------|----|-----|
| A-869/15  | LED | 8  | 1280   | 3000   | DIMMABLE | 150  | 45 | 110 |
| A-869/40  | LED | 8  | 1250   | 3000   | DIMMABLE | 400  | 45 | 110 |
| A-869/60  | LED | 16 | 2650   | 3000   | DIMMABLE | 600  | 45 | 110 |
| A-869/90  | LED | 23 | 4000   | 3000   | DIMMABLE | 900  | 45 | 110 |
| A-869/120 | LED | 32 | 5300   | 3000   | DIMMABLE | 1200 | 45 | 110 |

Cromo sólo venta USA / ESP / POR  
 Chrome only for USA / ESP / POR



A-869/90



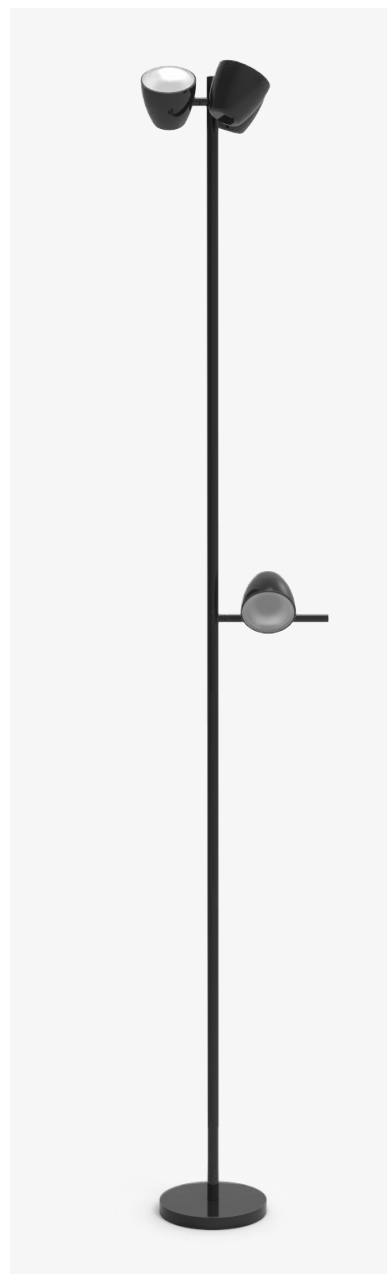
# Trio

Aggo Estudi





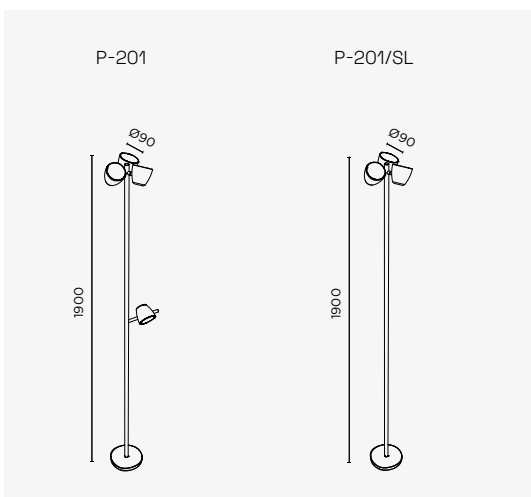
P-201/SL



P-201

⊕ ⊖ IP20 DIMMABLE

□ B ■ N ▒ C



| Ref.     |     | W     | Lumens     | Kelvin |                    |
|----------|-----|-------|------------|--------|--------------------|
| P-201    | LED | 3 x 8 | 970 (2900) | 3000   | DIMMABLE<br>ON-OFF |
|          |     | 8     | 970        | 3000   |                    |
| P-201/SL | LED | 3 x 8 | 970 (2900) | 3000   | DIMMABLE           |

# Lux

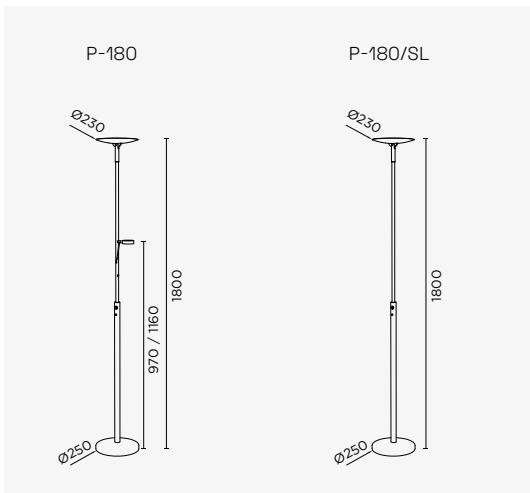
Equipo Pujol





⊕ ⊖ IP20 DIMMABLE

□ B ■ N ▨ C ■ NM □ PL ■ OX



| Ref.     |     | W  | Lumens | Kelvin |          |
|----------|-----|----|--------|--------|----------|
| P-180    | LED | 39 | 4000   | 3000   | DIMMABLE |
|          |     | 6  | 900    | 3000   | ON-OFF   |
| P-180/SL | LED | 39 | 4000   | 3000   | DIMMABLE |

# Thin

Equipo Pujol



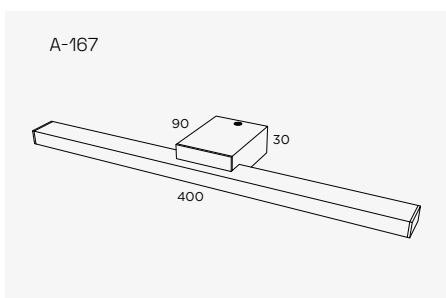




A-167

⊕ ⊖ IP20

■ C ■ NM □ B



| Ref.  |     | W | Lumens | Kelvin |
|-------|-----|---|--------|--------|
| A-167 | LED | 7 | 500    | 3000   |

# Agora

P.Legna

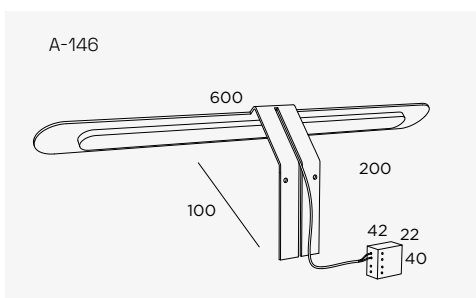




A-146

□ ▽ IP20 RF850°

■ C ■ NM



| Ref.  |     | W | Lumens | Kelvin |
|-------|-----|---|--------|--------|
| A-146 | LED | 8 | 580    | 3000   |

# Ado

Equipo Pujol



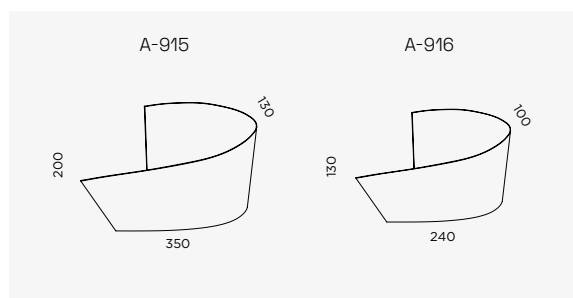


A-915

A-916

⊕ ⊖ IP20 RF850°

■ C ■ NM



| Ref.     |            | W        |
|----------|------------|----------|
| A-915    | 1xR7s 78mm | 120 max. |
| A-915/PL | 1xE-27 LED |          |
| A-916    | 1xG9       | 48 max.  |
| A-916/PL | 1xE-14 LED |          |

# Brindis

P. Legna



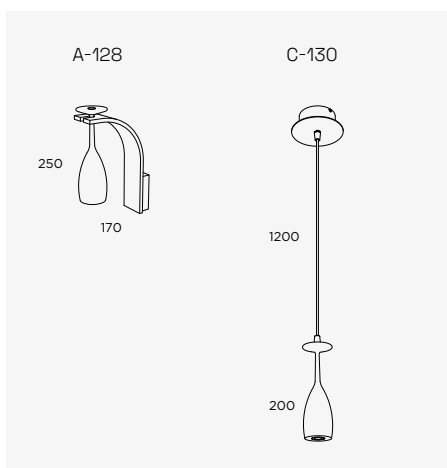


A-128

C-130

⊕ ⊖ IP20 RF850°

■ C ■ NM



| Ref.  |     | W | Lumens | Kelvin |
|-------|-----|---|--------|--------|
| A-128 | LED | 6 | 900    | 3000   |
| C-130 | LED | 6 | 900    | 3000   |

# Plasma

Equipo Pujol



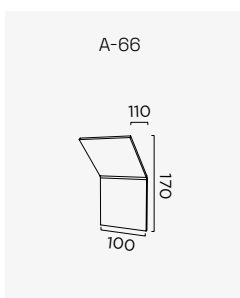




A-66

⊕ ⊖ IP20 RF850°

■ C ■ NM □ B



| Ref. | W   | Lumens | Kelvin |      |
|------|-----|--------|--------|------|
| A-66 | LED | 5      | 750    | 3000 |

# Bola

Equipo Pujol



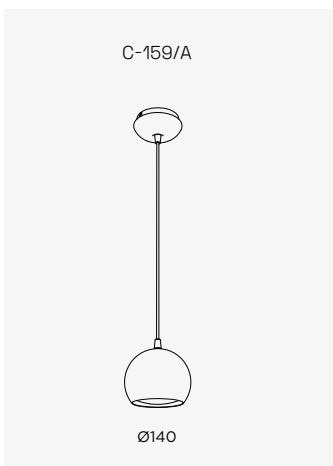



C-159/A



 IP20 RF850°  DIMMABLE

 C
  NM
  B
  COS



| Ref.    |     | W | Lumens | Kelvin |  |
|---------|-----|---|--------|--------|--|
| C-159/A | LED | 7 | 970    | 3000   |  DIMMABLE |

# Aura

Equipo Pujol





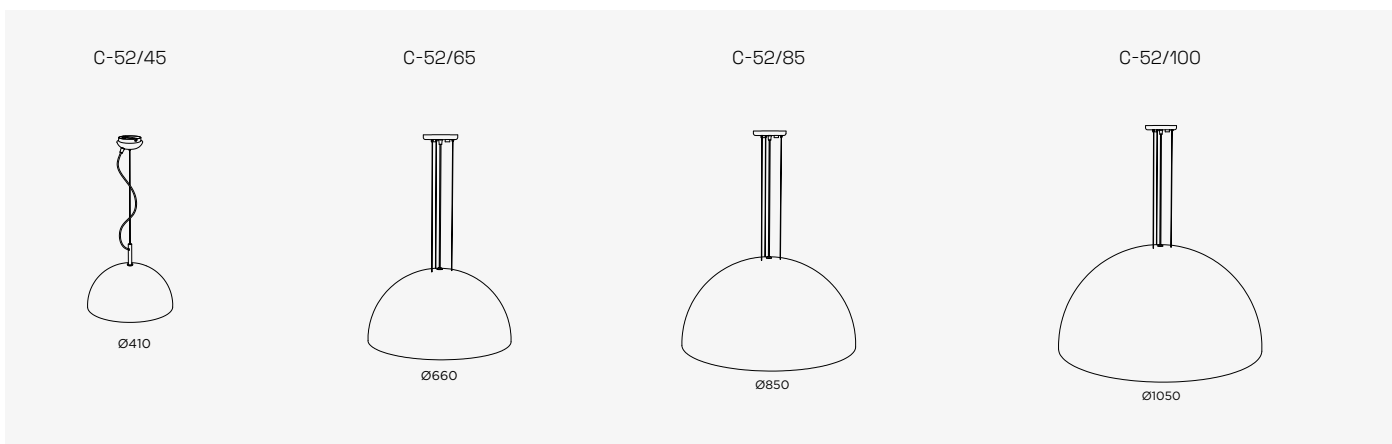
C-52/45

⊕ ⊖ IP20 RF850°

■ N

| Ref.    |            |
|---------|------------|
| C-52/45 | 1xE-27 LED |
| C-52/65 | 1xE-27 LED |

| Ref.     |            |
|----------|------------|
| C-52/85  | 1xE-27 LED |
| C-52/100 | 1xE-27 LED |



# Masai

Hector Alonso



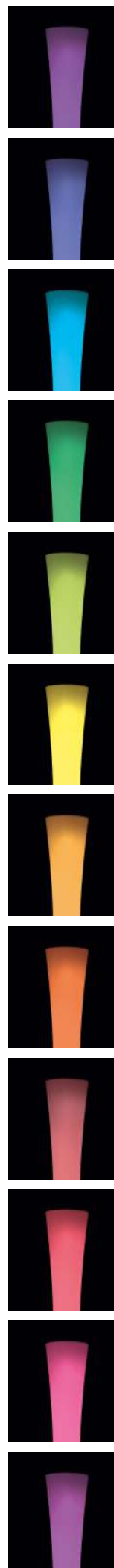
B



P-932/INT/REG



P-932/EXT IP65 + KIT/932







KIT/932

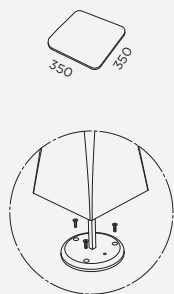
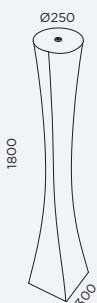
P-932/EXT IP65  
P-932/EXT/RGB

RF850°

B

P-932/INT/REG  
P-932/INT/RGB  
P-932/EXT IP65  
P-932/EXT/RGB

KIT/932  
(opcional) Base extra para exterior  
(optional) Extra base for outdoor



| Ref.           |  | W  | IP   |          |
|----------------|--|----|------|----------|
| P-932/INT/REG  | 2xT5   | 80 | IP20 | DIMMABLE |
| P-932/INT/RGB  | LED RGB  |    | IP20 |          |
| P-932/EXT IP65 | 2xT5   | 80 | IP65 |          |
| P-932/EXT/RGB  | LED RGB  |    | IP65 |          |
| KIT/932        | (OPCIONAL) Base extra para exterior<br>(OPTIONAL) Extra base for outdoor |    |      | 4m       |

# Giravolt

Carlos Puchol

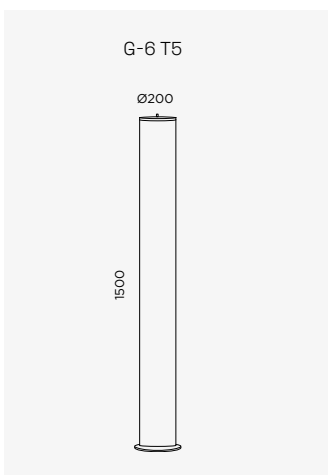




G-6 T5

⊕ ⊖ IP20 DIMMABLE

■ C ■ NM



| Ref.   | W    |      |          |
|--------|------|------|----------|
| G-6 T5 | 2xT5 | 2x54 | DIMMABLE |

# Eve

AI+D





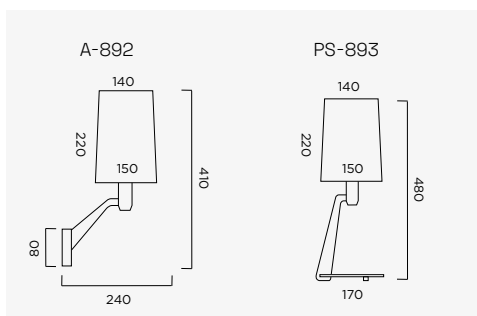
A-892



PS-893

□ ▽ IP20 RF850°

■ C ■ NM



| Ref.   |           | W       |
|--------|-----------|---------|
| A-892  | 1xE-27 PL | 15 max. |
| PS-893 | 1xE-27 PL | 15 max. |

# Plafo

Equipo Pujol





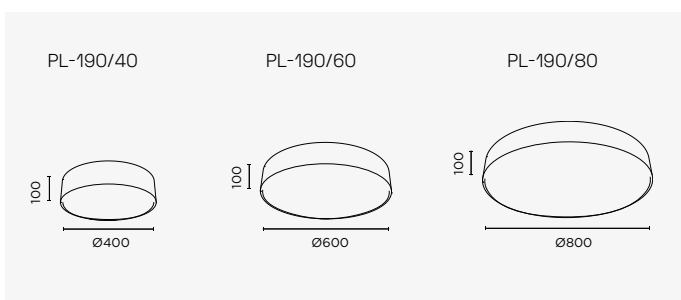
PL-190/40

PL-190/60

PL-190/80


 IP20
  DIMMABLE

B
  N



| Ref.             |     | W   | Lumens | Kelvin |
|------------------|-----|-----|--------|--------|
| <b>PL-190/40</b> | LED | 34  | 3860   | 3000   |
| <b>PL-190/60</b> | LED | 75  | 8690   | 3000   |
| <b>PL-190/80</b> | LED | 142 | 16400  | 3000   |

# Mini Plafon

Equipo Pujol





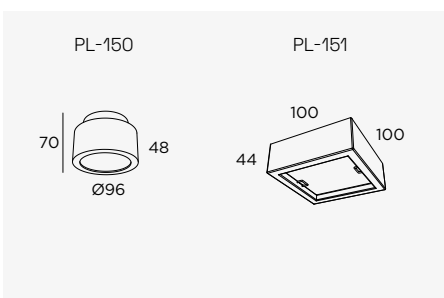


PL-150

PL-151

⊕ ⊖ RF850°

■ C ■ NM □ B ■ N



| Ref.   |     | W | Lumens | Kelvin | IP   |
|--------|-----|---|--------|--------|------|
| PL-150 | LED | 5 | 750    | 3000   | IP44 |
| PL-151 | LED | 5 | 750    | 3000   | IP20 |

# Esferic

Equipo Pujol



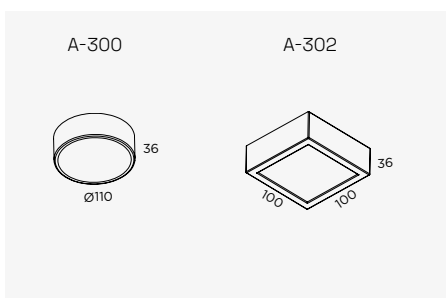


A-300

A-302

⊕ ⊗ IP20 RF850°

■ C ■ NM □ B ■ N ■ CU ■ O ■ OM ■ OX ■ PL



Ref.

A-300 G9 LED

A-302 G9 LED

# Cuina

Equipo Pujol

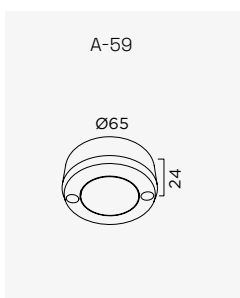




A-59

⊕ ⊖ IP20 RF850°

■ C ■ AL □ B



| Ref. |     | W | Lumens | Kelvin |
|------|-----|---|--------|--------|
| A-59 | LED | 4 | 400    | 3000   |

# Bric

Equipo Pujol



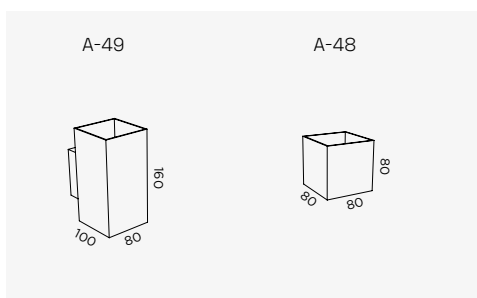


A-49

A-48

⊕ ⊖ IP20 RF850°

□ B ■ C ■ NM



| Ref. |     | W | Lumens | Kelvin |
|------|-----|---|--------|--------|
| A-49 | LED | 8 | 800    | 3000   |
| A-48 | LED | 8 | 800    | 3000   |

# Cil

Equipo Pujol



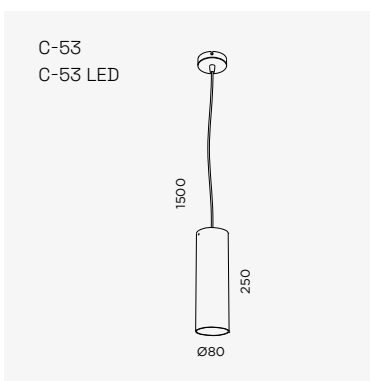




C-53

□ ▽ IP20 RF850°

□ B ▒ C ■ NM ■ COS



| Ref.            |           | W  | Lumens | Kelvin |
|-----------------|-----------|----|--------|--------|
| <b>C-53</b>     | 1xE-27 PL | 18 |        |        |
| <b>C-53 LED</b> | LED       | 8  | 900    | 3000   |

# Lula

Equipo Pujol



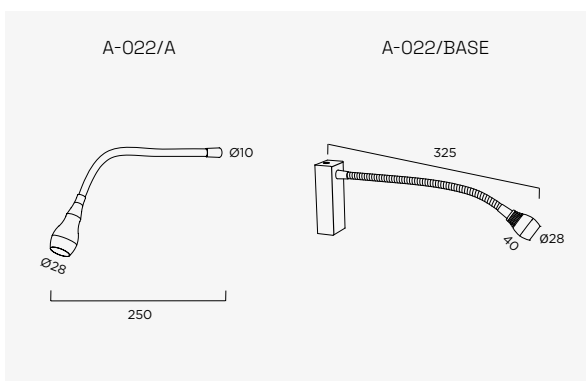


A-022/A

A-022/BASE

□ ▽ IP20 RF850°

□ B ■ N ▨ C ■ NM



| Ref.       |     | W | Lumens | Kelvin |     |
|------------|-----|---|--------|--------|-----|
| A-022/A    | LED | 3 | 195    | 3000   | 30° |
| A-022/BASE | LED | 3 | 195    | 3000   | 30° |

# Basic

Equipo Pujol





A-46

A-47

A-170

A-158

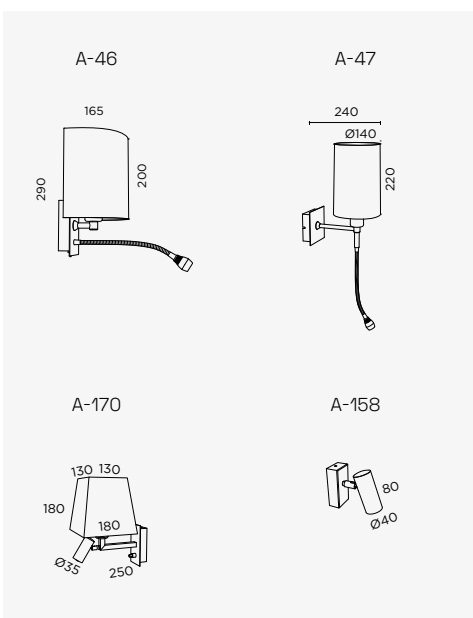




A-46

⊕ IP20 RF850°

C NM



| Ref.  |           | W  | Lumens | Kelvin |   |
|-------|-----------|----|--------|--------|---|
| A-46  | 1xE-27 PL | 15 |        |        | ☼ |
|       | LED       | 3  | 195    | 3000   |   |
| A-47  | 1xE-27 PL | 15 |        |        | ☼ |
|       | LED       | 3  | 195    | 3000   |   |
| A-170 | 1xE-27 PL | 15 |        |        | ☼ |
|       | LED       | 6  | 900    | 3000   |   |
| A-158 | LED       | 4  | 400    | 3000   | ☼ |

# Gregal

Equipo Pujol





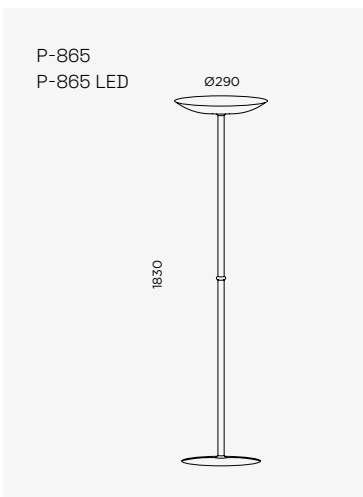




 DIMMABLE



  IP20 RF850°  DIMMABLE

B  C  NM



| Ref.      |             | W        | Lumens | Kelvin |  |
|-----------|-------------|----------|--------|--------|--|
| P-865     | 1xR7s 118mm | 230 max. |        |        |  DIMMABLE |
| P-865 LED | LED         | 39       | 4000   | 3000   |  DIMMABLE |

# Cosmos

Equipo Pujol





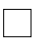

 DIMMABLE  
 ON-OFF

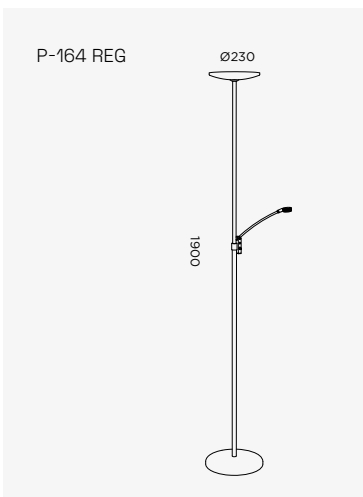




 ON-OFF



  IP20  RF850°  DIMMABLE

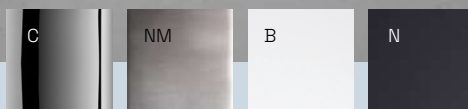
 B  C  NM  CU



| Ref.      |     | W  | Lumens | Kelvin |   |
|-----------|-----|----|--------|--------|---|
| P-164 REG | LED | 39 | 4000   | 3000   |  |
|           |     | 3  | 195    | 3000   |  |

# Del

Equipo Pujol







PS-33



A-34

PS-33



PS-75

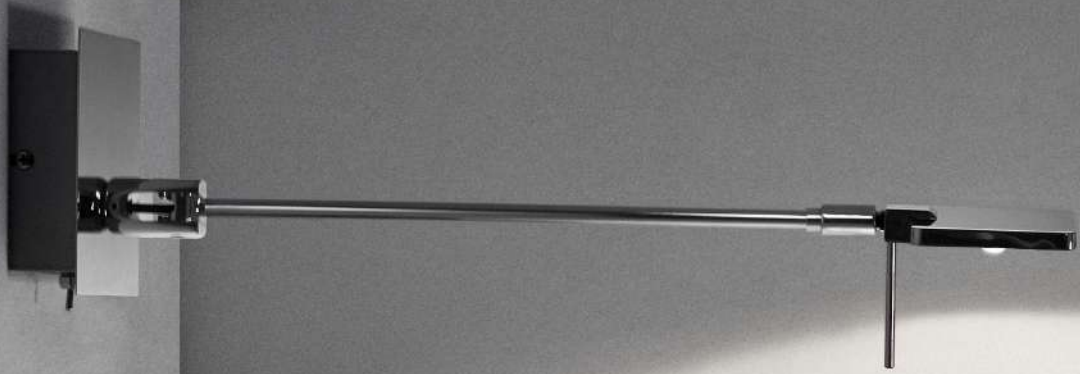




P-76



PS-75





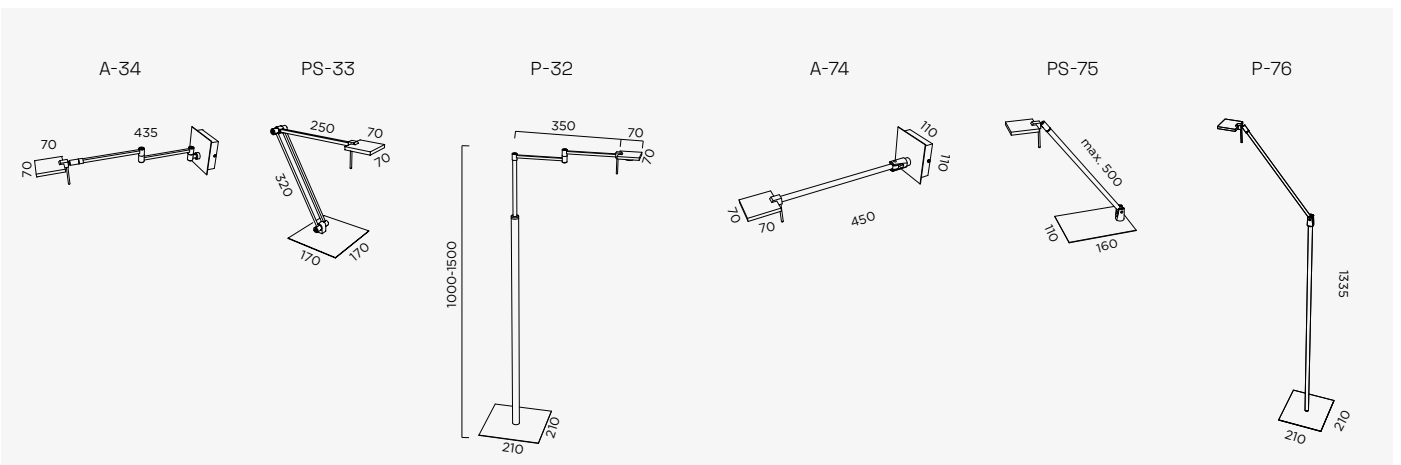
A-74

⊕ ⊖ IP20 RF850°

□ B ■ N ▨ C ■ NM

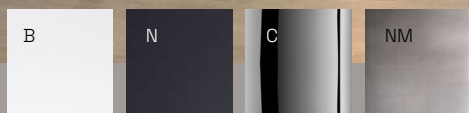
| Ref.  |     | W | Lumens | Kelvin |        |
|-------|-----|---|--------|--------|--------|
| A-34  | LED | 6 | 900    | 3000   | ⊕N-⊖FF |
| PS-33 | LED | 6 | 900    | 3000   | ⊕N-⊖FF |
| P-32  | LED | 6 | 900    | 3000   | ⊕N-⊖FF |

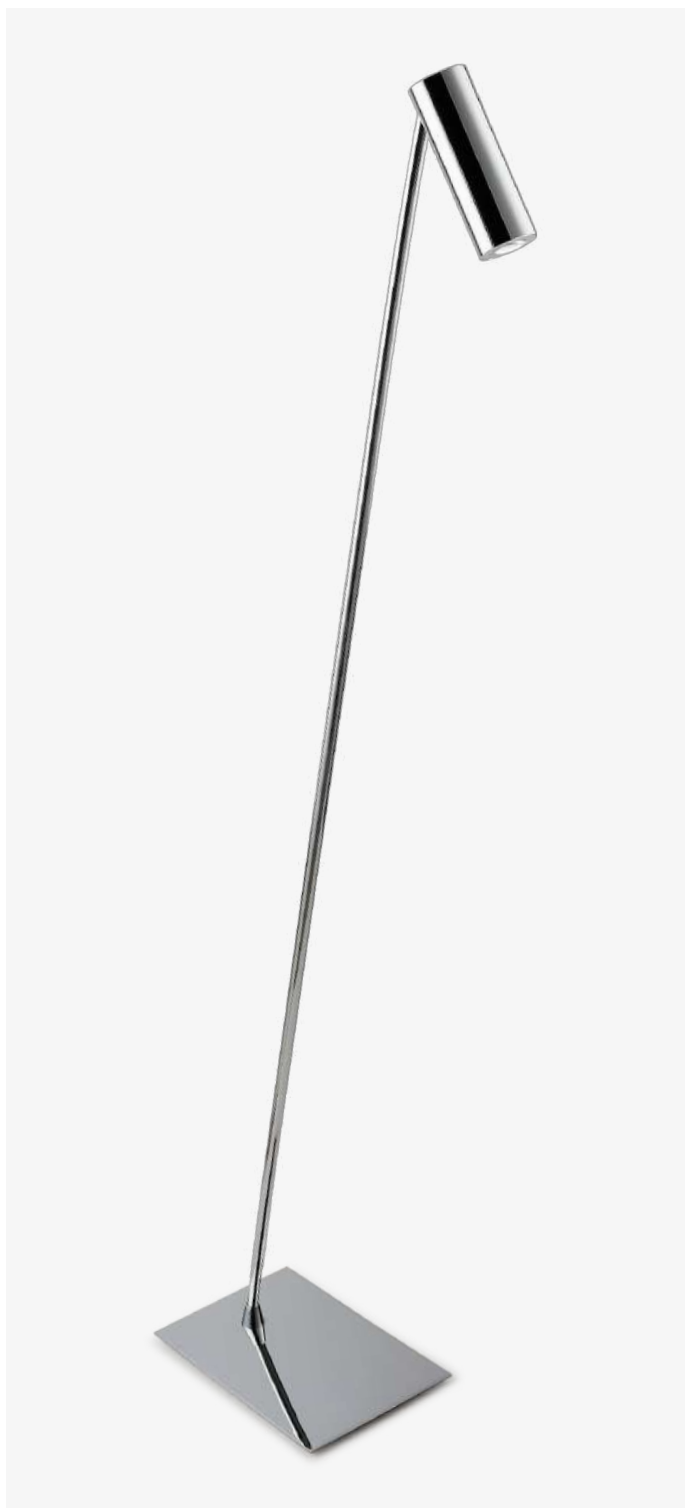
| Ref.  |     | W | Lumens | Kelvin |        |
|-------|-----|---|--------|--------|--------|
| A-74  | LED | 6 | 900    | 3000   | ⊕N-⊖FF |
| PS-75 | LED | 6 | 900    | 3000   | ⊕N-⊖FF |
| P-76  | LED | 6 | 900    | 3000   | ⊕N-⊖FF |



# Tub

Equipo Pujol





P-45

PS-44



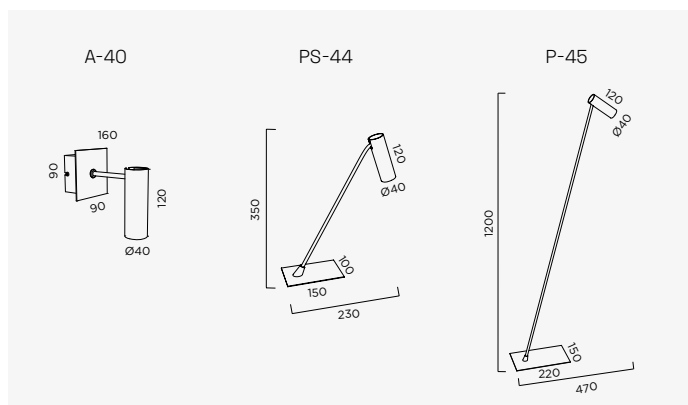
A-40



A-40

⊕ ⊖ IP20 RF850°

□ B ■ N ▨ C ■ NM



| Ref.  |     | W | Lumens | Kelvin |     |
|-------|-----|---|--------|--------|-----|
| A-40  | LED | 6 | 900    | 3000   |     |
| PS-44 | LED | 6 | 900    | 3000   | ⚡ ⏻ |
| P-45  | LED | 6 | 900    | 3000   | ⚡ ⏻ |

# Pie

Equipo Pujol





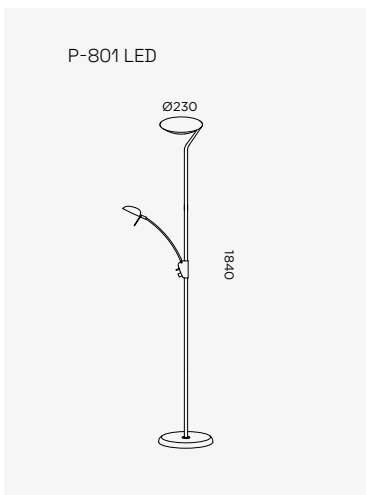


DIMMABLE



⊕ ⊖ IP20 RF850° DIMMABLE

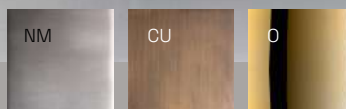
■ C ■ NM ■ CU



| Ref.      |     | W  | Lumens | Kelvin |
|-----------|-----|----|--------|--------|
| P-801 LED | LED | 39 | 4000   | 3000   |
|           |     | 6  | 900    | 3000   |

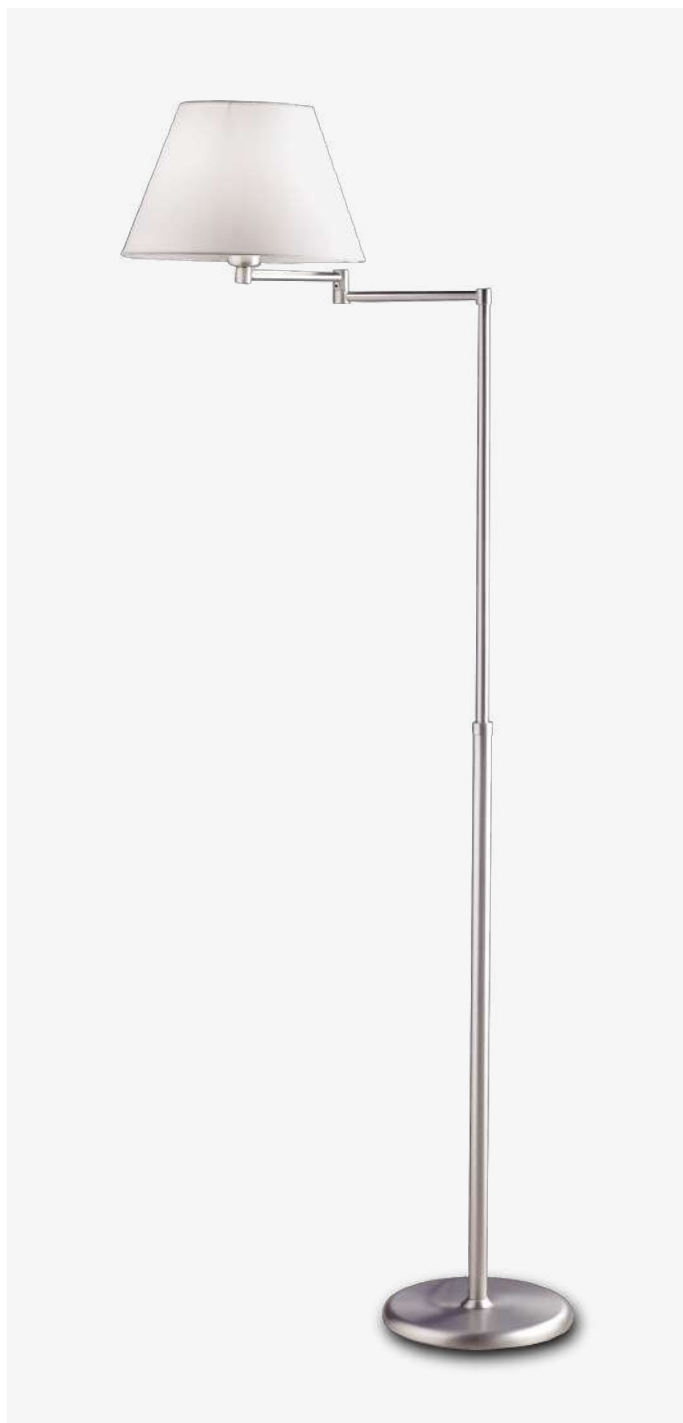
# Americana

Equipo Pujol





P-1005



P-1007



A-1023/1 + A-1203/2



A-1203/2

A-1206/1

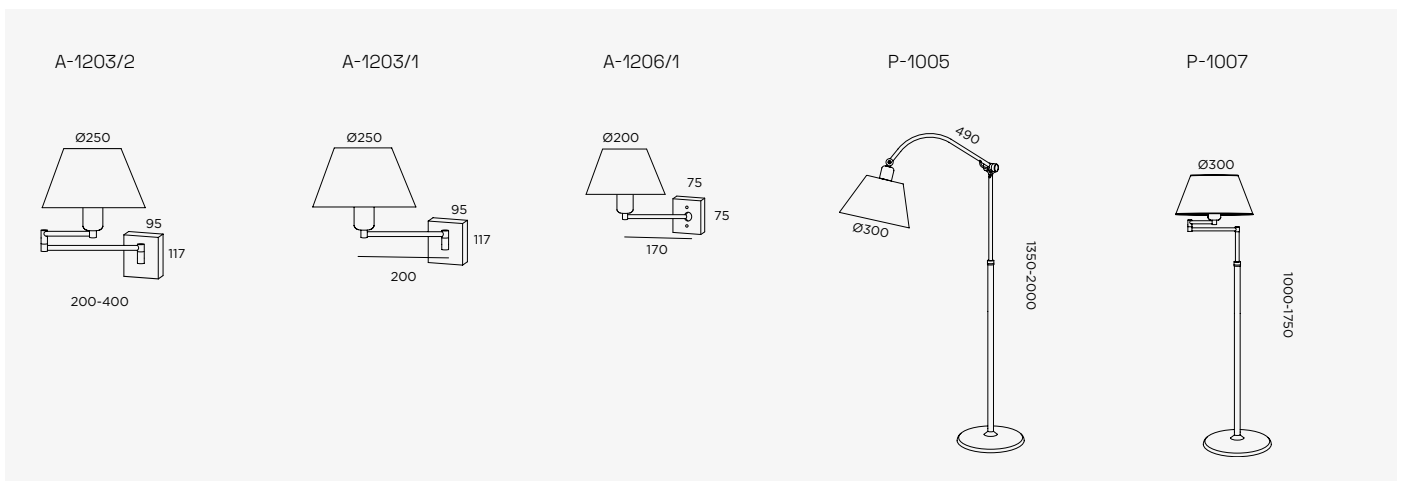
A-1203/1

⊕ ⊖ IP20 RF850°

■ NM ■ CU ■ O

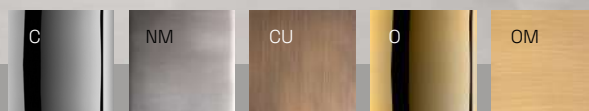
| Ref.     |            |
|----------|------------|
| A-1203/2 | 1xE-27 LED |
| A-1203/1 | 1xE-27 LED |
| A-1206/1 | 1xE-27 LED |

| Ref.   |            |     |
|--------|------------|-----|
| P-1005 | 1xE-27 LED | ⊕ ⊖ |
| P-1007 | 1xE-27 LED | ⊕ ⊖ |



# Apliques de cuadro

Equipo Pujol





A-1004

A-1003 LED

A-1001

A-1000

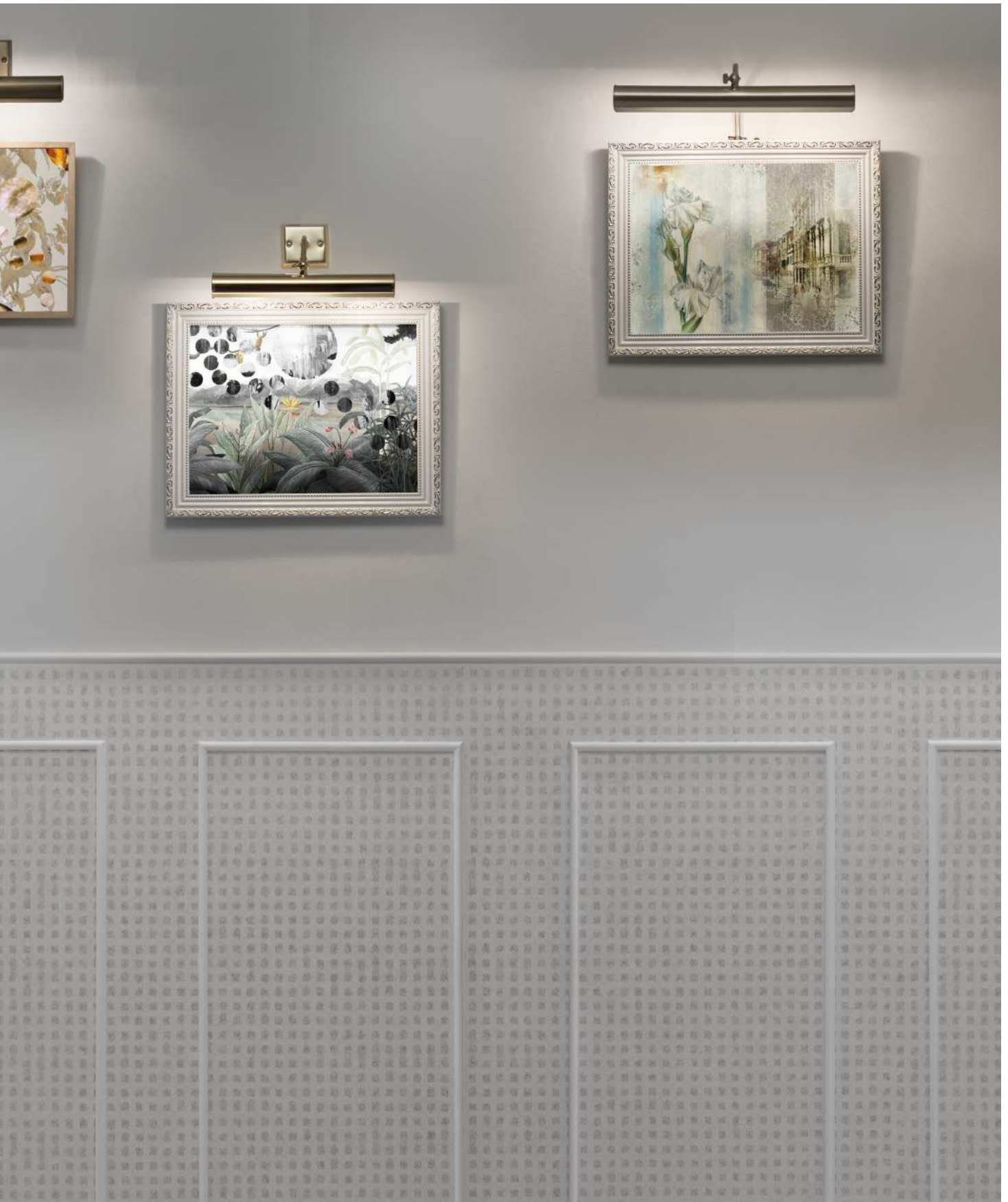


A-1000

A-1004

A-1001





A-1003

A-1002 SB



A-1003 SB





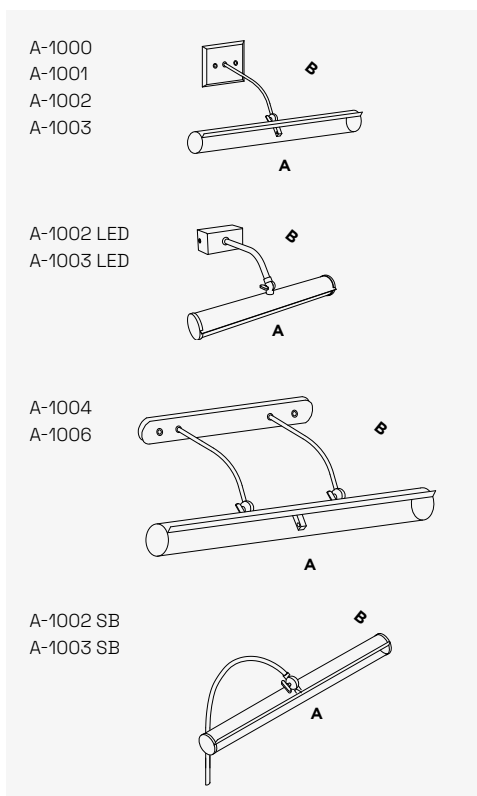
A-1002 SB



A-162

⊕ ⊖ IP20 RF850°

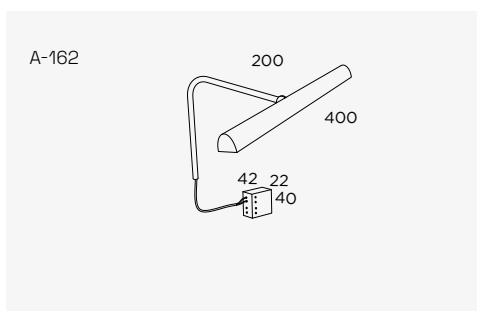
■ NM ■ CU ■ O



| Ref.       |            | W | Lumens | Kelvin | A   | B   |
|------------|------------|---|--------|--------|-----|-----|
| A-1000     | 1xE-14 LED |   |        |        | 200 | 180 |
| A-1001     | 1xE-14 LED |   |        |        | 250 | 180 |
| A-1002     | 2xE-14 LED |   |        |        | 300 | 180 |
| A-1002 LED | LED        | 4 | 340    | 3000   | 300 | 200 |
| A-1003     | 2xE-14 LED |   |        |        | 400 | 180 |
| A-1003 LED | LED        | 6 | 450    | 3000   | 400 | 200 |
| A-1004     | 3xE-14 LED |   |        |        | 500 | 180 |
| A-1006     | 4xE-14 LED |   |        |        | 620 | 180 |
| A-1002 SB  | 2xE-14 LED |   |        |        | 300 | 200 |
| A-1003 SB  | 2xE-14 LED |   |        |        | 400 | 200 |

⊕ ⊖ IP20 RF850°

■ C ■ NM ■ CU ■ O ■ OM



| Ref.  |     | W | Lumens | Kelvin |
|-------|-----|---|--------|--------|
| A-162 | LED | 7 | 450    | 3000   |

# Información técnica

## Technical Information

---

|                       |     |
|-----------------------|-----|
| Acabados              | 227 |
| Finishes              |     |
| Finitions             |     |
| Oberflächen           |     |
| Símbolos              | 228 |
| Symbols               |     |
| Symboles              |     |
| Symbole               |     |
| Bombillas             | 228 |
| Bulbs                 |     |
| Ampoules              |     |
| Leuchtmittel          |     |
| Materiales            | 229 |
| Materials             |     |
| Matériel              |     |
| Material              |     |
| Índice de referencias | 230 |
| Reference index       |     |
| Indice de référence   |     |
| Referenzindex         |     |

Acabados  
Finishes  
Finitions  
Oberflächen



ACU-101



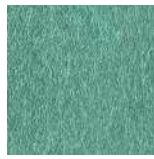
ACU-138



**NE**  
Negro  
Black  
Noir  
Schwarz



ACU-102



ACU-140



**NM**  
Níquel mate  
Matt nickel  
Nickel mat  
Mattvernickelt



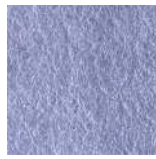
ACU-104



**AM**  
Amarillo  
Yellow  
Jaune  
Gelb



**O**  
Baño de oro  
Gold coated  
Bain or  
Goldbad



ACU-109



**AZ**  
Azul  
Blue  
Bleu  
Blau



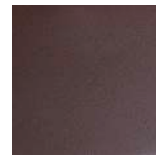
**OM**  
Oro mate  
Matt gold  
Or mat  
Mattgold



ACU-112



**B**  
Blanco  
White  
Blanc  
Weiß



**OX**  
Marrón óxido  
Rust brown  
Marrón rouille  
Oxydbraun



ACU-116



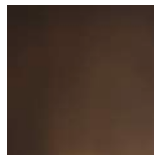
**BU**



**PL**  
Plata  
Silver  
Argent  
Silber



ACU-120



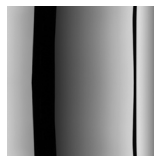
**BO**  
Bronze oscuro  
Dark bronze  
Bronze foncé  
Dunkel bronze



**PO**  
Pintura oro  
Gold lacquered  
Peinture or  
Gold lackiert



ACU-124



**C**  
Cromo  
Chrome  
Chrome  
Chrom



**R**  
Rojo  
Red  
Rouge  
Rot



ACU-125



**COS**  
Cobre satinado  
Matt copper  
Cuivre mat  
Matt kupfer



**VE**  
Verde  
Green  
Vert  
Grün



ACU-127



**CU**  
Cuero  
Bronze  
Cuir  
Bronze



ACU-131



**NA**

Símbolos  
Symbols  
Symboles  
Symbole

Bombillas  
Bulbs  
Ampoules  
Leuchtmittel



Clase I  
Class I  
Classe I  
Klasse I



Clase II  
Class II  
Classe II  
Klasse II



Instalación en superficies inflamables.  
Suitable for installation on inflammable surfaces.  
Permettre leu le installation sur une surface inflammable.  
Einbau auf brennbare Oberflächen.



No instalar en superficies inflamables.  
Unsuitable for installation on inflammable surfaces.  
Permettre leu le installation sur une surface inflammable.  
Einbau auf brennbare Oberflächen.

IPXX

Grado de protección.  
Protection level.  
Degré de protection.  
Schutzklasse.

RF850°

Resistente a hilo incandescente a 850°.  
Resistance to incandescent wire at 850°C.  
Tenue au feu 850°C.  
Glühdrahtbeständig auf 850°C.



Regulador de intensidad.  
With dimmer.  
Régulateur d'intensité.  
Mit dimmer.



Regulador de intensidad.  
With dimmer.  
Régulateur d'intensité.  
Mit dimmer.

ON-OFF

Interruptor.  
Switch.  
Interrupteur simple.  
Schalter.



Interruptor en cable.  
Cable switch.  
Interrupteur sur le câble.  
Schalter am Kabel.



Sin interruptor.  
Without switch.  
Sans interrupteur.  
Ohne schalter.



Mando a distancia.  
Remote control.  
Télécommande.  
Fernbedienung.



xxm

Cable extra.  
Extra wire.  
Câble supplémentaire.  
Extra kable.

LED LED



E14 LED



E27 LED



G9 LED



R7s 78mm



R7s 118mm



GU10 LED

**Materiales**  
**Materials**  
**Matériel**  
**Material**



**Armazón**  
**Frame**  
**Structure**  
**Rahmen**



**Difusor**  
**Diffuser**  
**Diffuseur**  
**Diffusor**



**Pantallas**  
**Shades**  
**Abat-jour**  
**Shirm**



Acero  
 Steel  
 Acier  
 Stahl



Acero  
 Steel  
 Acier  
 Stahl



Acero  
 Steel  
 Acier  
 Stahl



Aluminio  
 Aluminium  
 Aluminium  
 Aluminium



Aluminio  
 Aluminium  
 Aluminium  
 Aluminium



Aluminio  
 Aluminium  
 Aluminium  
 Aluminium



Latón  
 Brass  
 Laiton  
 Messing



Cristal  
 Glass  
 Verre  
 Glas



Cristal  
 Glass  
 Verre  
 Glas



Tela  
 Fabric  
 Tissu  
 Stoff



Cristal-Acero  
 Glass-Steel  
 Glass-Acier  
 Glas-Stahl



Latón  
 Brass  
 Laiton  
 Messing



Latón  
 Brass  
 Laiton  
 Messing



Mimbre  
 Natural fibers  
 Fibre naturelle  
 Naturfasern



Metacrilato  
 Methacrylate  
 Méthacrylate  
 Methacrylat



Metacrilato  
 Methacrylate  
 Méthacrylate  
 Methacrylat



Policarbonato  
 Polycarbonate  
 Polycarbonate  
 Polykarbonat



Pergamino poliéster  
 Parchment polyester  
 Parchemin polyester  
 Pergament polyester



Seda  
 Silk  
 Soie  
 Seide



Policarbonato  
 Polycarbonate  
 Polycarbonate  
 Polykarbonat



Poliéster  
 Polyester  
 Polyester  
 Polyester



Polietileno Reciclado  
 Recycled polyethylene  
 Polyéthylène recyclé  
 Recycelt polyethylene



Tela  
 Fabric  
 Tissu  
 Stoff

| Colección<br>Collection | Pág.<br>Page | Referencia<br>Reference | Información<br>Information | Acabados<br>Finishes   | Armazón<br>Frame | Difusor<br>Diffuser | Pantalla<br>Shade | Opcional<br>Optional |
|-------------------------|--------------|-------------------------|----------------------------|--|------------------|---------------------|-------------------|----------------------|
| ACUSTIC                 | 37           | C-232/60                | ⊕ ∇ IP20 RF850°            | <br>ACU-101 ACU-102 ACU-104 ACU-109 ACU-112 ACU-116 ACU-120 ACU-124<br>ACU-125 ACU-127 ACU-131 ACU-138 ACU-140 |                  |                     |                   |                      |
| ACUSTIC                 | 37           | C-232/90                | ⊕ ∇ IP20 RF850°            | <br>ACU-101 ACU-102 ACU-104 ACU-109 ACU-112 ACU-116 ACU-120 ACU-124<br>ACU-125 ACU-127 ACU-131 ACU-138 ACU-140 |                  |                     |                   |                      |
| ACUSTIC                 | 37           | C-233/60                | ⊕ ∇ IP20 RF850°            | <br>ACU-101 ACU-102 ACU-104 ACU-109 ACU-112 ACU-116 ACU-120 ACU-124<br>ACU-125 ACU-127 ACU-131 ACU-138 ACU-140 |                  |                     |                   |                      |
| ACUSTIC                 | 37           | C-233/80                | ⊕ ∇ IP20 RF850°            | <br>ACU-101 ACU-102 ACU-104 ACU-109 ACU-112 ACU-116 ACU-120 ACU-124<br>ACU-125 ACU-127 ACU-131 ACU-138 ACU-140 |                  |                     |                   |                      |
| ACUSTIC                 | 37           | C-233/120               | ⊕ ∇ IP20 RF850°            | <br>ACU-101 ACU-102 ACU-104 ACU-109 ACU-112 ACU-116 ACU-120 ACU-124<br>ACU-125 ACU-127 ACU-131 ACU-138 ACU-140 |                  |                     |                   |                      |
| ACUSTIC                 | 37           | C-234/60                | ⊕ ∇ IP20 RF850°            | <br>ACU-101 ACU-102 ACU-104 ACU-109 ACU-112 ACU-116 ACU-120 ACU-124<br>ACU-125 ACU-127 ACU-131 ACU-138 ACU-140 |                  |                     |                   |                      |
| ACUSTIC                 | 37           | C-234/80                | ⊕ ∇ IP20 RF850°            | <br>ACU-101 ACU-102 ACU-104 ACU-109 ACU-112 ACU-116 ACU-120 ACU-124<br>ACU-125 ACU-127 ACU-131 ACU-138 ACU-140 |                  |                     |                   |                      |
| ACUSTIC                 | 37           | C-234/120               | ⊕ ∇ IP20 RF850°            | <br>ACU-101 ACU-102 ACU-104 ACU-109 ACU-112 ACU-116 ACU-120 ACU-124<br>ACU-125 ACU-127 ACU-131 ACU-138 ACU-140 |                  |                     |                   |                      |
| ACUSTIC                 | 37           | PL-235/60               | ⊕ ∇ IP20 RF850°            | <br>ACU-101 ACU-102 ACU-104 ACU-109 ACU-112 ACU-116 ACU-120 ACU-124<br>ACU-125 ACU-127 ACU-131 ACU-138 ACU-140 |                  |                     |                   |                      |
| ACUSTIC                 | 37           | PL-235/80               | ⊕ ∇ IP20 RF850°            | <br>ACU-101 ACU-102 ACU-104 ACU-109 ACU-112 ACU-116 ACU-120 ACU-124<br>ACU-125 ACU-127 ACU-131 ACU-138 ACU-140 |                  |                     |                   |                      |
| ACUSTIC                 | 37           | PL-235/120              | ⊕ ∇ IP20 RF850°            | <br>ACU-101 ACU-102 ACU-104 ACU-109 ACU-112 ACU-116 ACU-120 ACU-124<br>ACU-125 ACU-127 ACU-131 ACU-138 ACU-140 |                  |                     |                   |                      |
| ACUSTIC                 | 37           | PL-236/60               | ⊕ ∇ IP20 RF850°            | <br>ACU-101 ACU-102 ACU-104 ACU-109 ACU-112 ACU-116 ACU-120 ACU-124<br>ACU-125 ACU-127 ACU-131 ACU-138 ACU-140 |                  |                     |                   |                      |
| ACUSTIC                 | 37           | PL-236/80               | ⊕ ∇ IP20 RF850°            | <br>ACU-101 ACU-102 ACU-104 ACU-109 ACU-112 ACU-116 ACU-120 ACU-124<br>ACU-125 ACU-127 ACU-131 ACU-138 ACU-140 |                  |                     |                   |                      |
| ACUSTIC                 | 37           | PL-236/120              | ⊕ ∇ IP20 RF850°            | <br>ACU-101 ACU-102 ACU-104 ACU-109 ACU-112 ACU-116 ACU-120 ACU-124<br>ACU-125 ACU-127 ACU-131 ACU-138 ACU-140 |                  |                     |                   |                      |



| Colección<br>Collection | Pág.<br>Page | Referencia<br>Reference | Información<br>Information | Acabados<br>Finishes | Armazón<br>Frame | Difusor<br>Diffuser | Pantalla<br>Shade | Opcional<br>Optional |
|-------------------------|--------------|-------------------------|----------------------------|----------------------|------------------|---------------------|-------------------|----------------------|
| ADO                     | 163          | A-915                   | ⊕ ⊖ IP20 RF850°            | C NM                 | ALU              |                     |                   |                      |
| ADO                     | 163          | A-915 PL                | ⊕ ⊖ IP20 RF850°            | C NM                 | ALU              |                     |                   |                      |
| ADO                     | 163          | A-916                   | ⊕ ⊖ IP20 RF850°            | C NM                 | ALU              |                     |                   |                      |
| ADO                     | 163          | A-916 PL                | ⊕ ⊖ IP20 RF850°            | C NM                 | ALU              |                     |                   |                      |
| AGORA                   | 161          | A-146                   | ⊕ ⊖ IP20 RF850°            | C NM                 | ALU              |                     |                   |                      |
| AMERICANA               | 219          | A-1203/1                | ⊕ ⊖ IP20 RF850°            | O NM CU              | ACE RO           |                     | TE LA             |                      |
| AMERICANA               | 219          | A-1203/2                | ⊕ ⊖ IP20 RF850°            | O NM CU              | ACE RO           |                     | TE LA             |                      |
| AMERICANA               | 219          | A-1206/1                | ⊕ ⊖ IP20 RF850°            | O NM CU              | ACE RO           |                     | TE LA             |                      |
| AMERICANA               | 219          | P-1005                  | ⊕ ⊖ IP20 RF850°            | O NM CU              | ACE RO           |                     | TE LA             |                      |
| AMERICANA               | 219          | P-1007                  | ⊕ ⊖ IP20 RF850°            | O NM CU              | ACE RO           |                     | TE LA             |                      |
| APLIQUES<br>CUADRO      | 225          | A-162                   | ⊕ ⊖ IP20 RF850°            | C NM O OM CU         | ACE RO           |                     |                   |                      |
| APLIQUES<br>DE CUADRO   | 225          | A-1000                  | ⊕ ⊖ IP20 RF850°            | O NM CU              | ACE RO           | ACE RO              |                   |                      |
| APLIQUES<br>DE CUADRO   | 225          | A-1001                  | ⊕ ⊖ IP20 RF850°            | O NM CU              | ACE RO           | ACE RO              |                   |                      |
| APLIQUES<br>DE CUADRO   | 225          | A-1002                  | ⊕ ⊖ IP20 RF850°            | O NM CU              | ACE RO           | ACE RO              |                   |                      |
| APLIQUES<br>DE CUADRO   | 225          | A-1002 LED              | ⊕ ⊖ IP20 RF850°            | O NM CU              | ACE RO           | ACE RO              |                   |                      |
| APLIQUES<br>DE CUADRO   | 225          | A-1002/SB               | ⊕ ⊖ IP20 RF850°            | O NM CU              | ACE RO           | ACE RO              |                   |                      |
| APLIQUES<br>DE CUADRO   | 225          | A-1003                  | ⊕ ⊖ IP20 RF850°            | O NM CU              | ACE RO           | ACE RO              |                   |                      |
| APLIQUES<br>DE CUADRO   | 225          | A-1003 LED              | ⊕ ⊖ IP20 RF850°            | O NM CU              | ACE RO           | ACE RO              |                   |                      |
| APLIQUES<br>DE CUADRO   | 225          | A-1003/SB               | ⊕ ⊖ IP20 RF850°            | O NM CU              | ACE RO           | ACE RO              |                   |                      |
| APLIQUES<br>DE CUADRO   | 225          | A-1004                  | ⊕ ⊖ IP20 RF850°            | O NM CU              | ACE RO           | ACE RO              |                   |                      |
| APLIQUES<br>DE CUADRO   | 225          | A-1006                  | ⊕ ⊖ IP20 RF850°            | O NM CU              | ACE RO           | ACE RO              |                   |                      |
| APOLO                   | 135          | A-811                   | ⊕ ⊖ IP44 RF850°            | B C NM CU PL         | LA TON           | CRI                 |                   | ☐ DIMMABLE           |
| APOLO                   | 135          | A-811/15                | ⊕ ⊖ IP44 RF850°            | B C NM CU PL         | LA TON           | CRI                 |                   | ☐ DIMMABLE           |
| APOLO                   | 135          | A-811/15 LED            | ⊕ ⊖ IP44 RF850°            | B C NM CU PL         | LA TON           | CRI                 |                   | ☐ DIMMABLE           |
| APOLO                   | 135          | A-811/25                | ⊕ ⊖ IP44 RF850°            | B C NM CU PL         | LA TON           | CRI                 |                   | ☐ DIMMABLE           |
| APOLO                   | 135          | A-811/25 LED            | ⊕ ⊖ IP20 RF850°            | B C NM CU PL         | LA TON           | CRI                 |                   | ☐ DIMMABLE           |
| APOLO                   | 137          | A-811/25<br>EMERG LED   | ⊕ ⊖ IP20 RF850°            | B C NM PL            | LA TON           | CRI                 |                   | EMERGENCY 3H         |
| APOLO                   | 135          | A-811/40                | ⊕ ⊖ IP44 RF850°            | B C NM CU PL         | LA TON           | CRI                 |                   | ☐ DIMMABLE           |
| APOLO                   | 135          | A-811/40 LED            | ⊕ ⊖ IP20 RF850°            | B C NM CU PL         | LA TON           | CRI                 |                   | ☐ DIMMABLE           |
| APOLO                   | 137          | A-811/40<br>EMERG LED   | ⊕ ⊖ IP20 RF850°            | B C NM PL            | LA TON           | CRI                 |                   | EMERGENCY 3H         |

| Colección<br>Collection | Pág.<br>Page | Referencia<br>Reference | Información<br>Information | Acabados<br>Finishes       | Armazón<br>Frame | Difusor<br>Diffuser | Pantalla<br>Shade | Opcional<br>Optional |
|-------------------------|--------------|-------------------------|----------------------------|----------------------------|------------------|---------------------|-------------------|----------------------|
| APOLO                   | 135          | A-811/60                | ⊕ ⊖ IP44 RF850°            | B C NM CU PL               |                  |                     |                   |                      |
| APOLO                   | 135          | A-811/60 LED            | ⊕ ⊖ IP20 RF850°            | B C NM CU PL               |                  |                     |                   |                      |
| APOLO                   | 137          | A-811/60 EMERG LED      | ⊕ ⊖ IP20 RF850°            | B C NM PL                  |                  |                     | EMERGENCY 3H      |                      |
| APOLO                   | 135          | A-811/80                | ⊕ ⊖ IP44 RF850°            | B C NM CU PL               |                  |                     |                   |                      |
| APOLO                   | 135          | A-811/80 LED            | ⊕ ⊖ IP44 RF850°            | B C NM CU PL               |                  |                     |                   |                      |
| APOLO                   | 135          | A-811/80/HL             | ⊕ ⊖ IP44 RF850°            | B C NM CU PL               |                  |                     |                   |                      |
| APOLO                   | 135          | A-811/120               | ⊕ ⊖ IP20 RF850°            | B C NM CU PL               |                  |                     |                   |                      |
| APOLO                   | 135          | A-811/120 LED           | ⊕ ⊖ IP20 RF850°            | B C NM CU PL               |                  |                     |                   |                      |
| APOLO                   | 135          | A-811/120/HL            | ⊕ ⊖ IP44 RF850°            | B C NM CU PL               |                  |                     |                   |                      |
| APOLO                   | 135          | A-811/150               | ⊕ ⊖ IP20 RF850°            | B C NM CU PL               |                  |                     |                   |                      |
| APOLO                   | 135          | A-811/150 LED           | ⊕ ⊖ IP20 RF850°            | B C NM CU PL               |                  |                     |                   |                      |
| APOLO                   | 135          | A-811/150/HL            | ⊕ ⊖ IP44 RF850°            | B C NM CU PL               |                  |                     |                   |                      |
| APOLO                   | 135          | A-812                   | ⊕ ⊖ IP20 RF850°            | B C COS CU N NM O OM OX PL |                  |                     |                   |                      |
| APOLO                   | 135          | A-812/15                | ⊕ ⊖ IP20 RF850°            | B C COS CU N NM O OM OX PL |                  |                     |                   |                      |
| APOLO                   | 135          | A-812/30                | ⊕ ⊖ IP20 RF850°            | B C COS CU N NM O OM OX PL |                  |                     |                   |                      |
| APOLO                   | 135          | A-812/60                | ⊕ ⊖ IP20 RF850°            | B C COS CU N NM O OM OX PL |                  |                     |                   |                      |
| APOLO                   | 135          | A-812/90                | ⊕ ⊖ IP20 RF850°            | B C COS CU N NM O OM OX PL |                  |                     |                   |                      |
| APOLO                   | 135          | A-812/120               | ⊕ ⊖ IP20 RF850°            | B C COS CU N NM O OM OX PL |                  |                     |                   |                      |
| APOLO                   | 135          | A-812/150               | ⊕ ⊖ IP20 RF850°            | B C COS CU N NM O OM OX PL |                  |                     |                   |                      |
| APOLO                   | 139          | A-933/25 LED            | ⊕ ⊖ IP65 RF850°            | B N PL                     |                  |                     |                   |                      |
| APOLO                   | 139          | A-933/40 LED            | ⊕ ⊖ IP65 RF850°            | B N PL                     |                  |                     |                   |                      |
| APOLO                   | 135          | C-824/120 LED           | ⊕ ⊖ IP20 RF850°            | C NM                       |                  |                     |                   |                      |
| APOLO                   | 135          | PL-881/20               | ⊕ ⊖ IP44 RF850°            | C NM                       |                  |                     |                   |                      |
| APOLO                   | 135          | PL-881/20 LED           | ⊕ ⊖ IP20 RF850°            | C NM                       |                  |                     |                   |                      |
| APOLO                   | 135          | PL-881/35               | ⊕ ⊖ IP44 RF850°            | C NM                       |                  |                     |                   |                      |
| APOLO                   | 135          | PL-881/35 LED           | ⊕ ⊖ IP20 RF850°            | C NM                       |                  |                     |                   |                      |
| APOLO                   | 135          | PL-881/50               | ⊕ ⊖ IP44 RF850°            | C NM                       |                  |                     |                   |                      |
| APOLO                   | 135          | PL-881/50 LED           | ⊕ ⊖ IP20 RF850°            | C NM                       |                  |                     |                   |                      |
| ARCOS                   | 149          | A-911/15                | ⊕ ⊖ IP20 RF850°            | B C NM                     |                  |                     |                   |                      |

| Colección<br>Collection | Pág.<br>Page | Referencia<br>Reference | Información<br>Information | Acabados<br>Finishes  | Armazón<br>Frame | Difusor<br>Diffuser   | Pantalla<br>Shade | Opcional<br>Optional  |
|-------------------------|--------------|-------------------------|----------------------------|---|------------------|---|-------------------|---|
| ARCOS                   | 149          | A-911/15 LED            | ⊕ ⊖ IP20 RF850°            |    | ALU              |    |                   |  IP44                          |
| ARCOS                   | 149          | A-911/25                | ⊕ ⊖ IP20 RF850°            |    | ALU              |    |                   |  IP44                          |
| ARCOS                   | 149          | A-911/25 LED            | ⊕ ⊖ IP20 RF850°            |    | ALU              |    |                   |  IP44                          |
| ARCOS                   | 149          | A-911/40                | ⊕ ⊖ IP20 RF850°            |    | ALU              |    |                   |  IP44                          |
| ARCOS                   | 149          | A-911/40 LED            | ⊕ ⊖ IP20 RF850°            |    | ALU              |    |                   |  IP44                          |
| ARCOS                   | 149          | A-911/60                | ⊕ ⊖ IP20 RF850°            |    | ALU              |    |                   |  IP44                          |
| ARCOS                   | 149          | A-911/60 LED            | ⊕ ⊖ IP20 RF850°            |    | ALU              |    |                   |  IP44                          |
| ARCOS                   | 149          | A-911/80                | ⊕ ⊖ IP20 RF850°            |    | ALU              |    |                   |  IP44                          |
| ARCOS                   | 149          | A-911/80 LED            | ⊕ ⊖ IP20 RF850°            |    | ALU              |    |                   |  IP44                          |
| ARCOS                   | 149          | A-911/120               | ⊕ ⊖ IP20 RF850°            |    | ALU              |    |                   |  IP44                          |
| ARCOS                   | 149          | A-911/120 LED           | ⊕ ⊖ IP20 RF850°            |    | ALU              |    |                   |  IP44                          |
| ARCOS                   | 149          | A-911/150               | ⊕ ⊖ IP20 RF850°            |  | ALU              |  |                   |  IP44                        |
| ARCOS                   | 149          | A-911/150 LED           | ⊕ ⊖ IP20 RF850°            |  | ALU              |  |                   |  IP44                        |
| ARCOS                   | 149          | PL-912/20 LED           | ⊕ ⊖ IP20 RF850°            |  | ALU              |  |                   |  IP44 LED 4000K<br>DIMMABLE  |
| ARCOS                   | 149          | PL-912/40 LED           | ⊕ ⊖ IP20 RF850°            |  | ALU              |  |                   |  IP44 LED 4000K<br>DIMMABLE  |
| ARCOS                   | 149          | PL-912/60 LED           | ⊕ ⊖ IP20 RF850°            |  | ALU              |  |                   |  IP44 LED 4000K<br>DIMMABLE  |
| ARCOS                   | 149          | A-913/60                | ⊕ ⊖ IP20 RF850°            |  | ALU              |  |                   |  IP44                        |
| ARCOS                   | 149          | A-913/60 LED            | ⊕ ⊖ IP20 RF850°            |  | ALU              |  |                   |  IP44 LED 4000K              |
| ARCOS                   | 149          | A-913/90                | ⊕ ⊖ IP20 RF850°            |  | ALU              |  |                   |  IP44                        |
| ARCOS                   | 149          | A-913/90 LED            | ⊕ ⊖ IP20 RF850°            |  | ALU              |  |                   |  IP44 LED 4000K              |
| ARCOS                   | 149          | A-913/120               | ⊕ ⊖ IP20 RF850°            |  | ALU              |  |                   |  IP44                        |
| ARCOS                   | 149          | A-913/120 LED           | ⊕ ⊖ IP20 RF850°            |  | ALU              |  |                   |  IP44 LED 4000K              |
| ARCOS                   | 149          | A-913/150               | ⊕ ⊖ IP20 RF850°            |  | ALU              |  |                   |  IP44                        |
| ARCOS                   | 149          | A-913/150 LED           | ⊕ ⊖ IP20 RF850°            |  | ALU              |  |                   |  IP44 LED 4000K              |
| ARCOS                   | 149          | A-914/15                | ⊕ ⊖ IP20 RF850°            |  | ALU              |  |                   |  IP44 LED 2700K<br>LED 4000K |
| ARCOS                   | 149          | A-914/30                | ⊕ ⊖ IP20 RF850°            |  | ALU              |  |                   |  IP44 LED 2700K<br>LED 4000K |
| ARCOS                   | 149          | A-914/60                | ⊕ ⊖ IP20 RF850°            |  | ALU              |  |                   |  IP44 LED 2700K<br>LED 4000K |
| ARCOS                   | 149          | A-914/90                | ⊕ ⊖ IP20 RF850°            |  | ALU              |  |                   |  IP44 LED 2700K<br>LED 4000K |
| ARCOS                   | 149          | A-914/120               | ⊕ ⊖ IP20 RF850°            |  | ALU              |  |                   |  IP44 LED 2700K<br>LED 4000K |

| Colección<br>Collection | Pág.<br>Page | Referencia<br>Reference | Información<br>Information | Acabados<br>Finishes | Armazón<br>Frame | Difusor<br>Diffuser | Pantalla<br>Shade | Opcional<br>Optional              |
|-------------------------|--------------|-------------------------|----------------------------|----------------------|------------------|---------------------|-------------------|-----------------------------------|
| ARCOS                   | 149          | A-914/150               | ⊕ ∇ IP20 RF850°            | B C CU N NM OX PL    | ALU              | PM<br>MA            |                   |                                   |
| AURA                    | 171          | C-52/45                 | ⊕ ∇ IP20 RF850°            | N                    |                  |                     | ALU               |                                   |
| AURA                    | 171          | C-52/65                 | ⊕ ∇ IP20 RF850°            | N                    |                  |                     | ALU               |                                   |
| AURA                    | 171          | C-52/85                 | ⊕ ∇ IP20 RF850°            | N                    |                  |                     | ALU               |                                   |
| AURA                    | 171          | C-52/100                | ⊕ ∇ IP20 RF850°            | N                    |                  |                     | ALU               |                                   |
| BALANCE                 | 71           | A-228                   | ⊕ ∇ IP20 RF850°            | B N                  | ACE<br>RO        | CRI                 |                   |                                   |
| BALANCE                 | 71           | A-229                   | ⊕ ∇ IP20 RF850°            | B N                  | ACE<br>RO        | CRI                 |                   |                                   |
| BASIC                   | 197          | A-46                    | ⊕ ∇ IP20 RF850°            | C NM                 | ACE<br>RO        |                     | TE<br>LA          | ØN-ØFF x1<br>ØN-ØFF x2 <b>USB</b> |
| BASIC                   | 197          | A-47                    | ⊕ ∇ IP20 RF850°            | C NM                 | ACE<br>RO        |                     | TE<br>LA          | ØN-ØFF x1<br>ØN-ØFF x2 <b>USB</b> |
| BASIC                   | 197          | A-158                   | ⊕ ∇ IP20 RF850°            | C NM                 | ACE<br>RO        |                     |                   | <b>USB</b>                        |
| BASIC                   | 197          | A-170                   | ⊕ ∇ IP20 RF850°            | C NM                 | ACE<br>RO        |                     | TE<br>LA          | ØN-ØFF x1<br>ØN-ØFF x2 <b>USB</b> |
| BATERIA                 | 61           | PS-200                  | ⊕ ∇ IP20                   | B N                  | ACE<br>RO        |                     | ACE<br>RO         |                                   |
| BATERIA                 | 61           | PS-200/C                | ⊕ ∇ IP20                   | B N                  | ACE<br>RO        |                     | ACE<br>RO         |                                   |
| BOINA                   | 89           | C-196/20                | ⊕ ∇ IP20                   | AM AZ B N R VE       | ACE<br>RO        | PM<br>MA            |                   |                                   |
| BOINA                   | 89           | C-196/45                | ⊕ ∇ IP20                   | AM AZ B N R VE       | ACE<br>RO        | PM<br>MA            |                   |                                   |
| BOINA                   | 89           | P-230                   | ⊕ ∇ IP20                   | AM AZ B N R VE       | ACE<br>RO        | PM<br>MA            |                   |                                   |
| BOINA                   | 89           | PS-231                  | ⊕ ∇ IP20                   | AM AZ B N R VE       | ACE<br>RO        | PM<br>MA            |                   |                                   |
| BOLA                    | 169          | C-159/A                 | ⊕ ∇ IP20 RF850°            | B C COS NM           |                  |                     | ACE<br>RO         |                                   |
| BRIC                    | 189          | A-48                    | ⊕ ∇ IP20 RF850°            | B C NM               | ALU              |                     |                   |                                   |
| BRIC                    | 189          | A-49                    | ⊕ ∇ IP20 RF850°            | B C NM               | ALU              |                     |                   |                                   |
| BRINDIS                 | 165          | A-128                   | ⊕ ∇ IP20 RF850°            | C NM                 | ALU              |                     |                   |                                   |
| BRINDIS                 | 165          | C-130                   | ⊕ ∇ IP20 RF850°            | C NM                 | ALU              |                     |                   |                                   |
| CIL                     | 191          | C-53                    | ⊕ ∇ IP20 RF850°            | B C COS NM           | LA<br>TON        |                     |                   |                                   |
| CIL                     | 191          | C-53 LED                | ⊕ ∇ IP20 RF850°            | B C COS NM           | LA<br>TON        |                     |                   |                                   |
| CIRCULAR                | 63           | PS-203                  | ⊕ ∇ IP20 RF850°            | B N                  | ACE<br>RO        |                     | ALU               |                                   |
| COSMOS                  | 201          | P-164 REG               | ⊕ ∇ IP20 RF850°            | B C NM CU            | ACE<br>RO        |                     |                   |                                   |
| CUB                     | 69           | A-176                   | ⊕ ∇ IP20                   | B C COS N NM         | ACE<br>RO        | PO<br>LIC           |                   |                                   |
| CUB                     | 69           | PL-177/100              | ⊕ ∇ IP20 RF850°            | B C COS N NM         | ACE<br>RO        | PO<br>LIC           |                   |                                   |
| CUB                     | 69           | PL-177/160              | ⊕ ∇ IP20 RF850°            | B C COS N NM         | ACE<br>RO        | PO<br>LIC           |                   |                                   |
| CUB                     | 69           | PS-175/100              | ⊕ ∇ IP20 RF850°            | B C COS N NM         | ACE<br>RO        | PO<br>LIC           |                   |                                   |











| Colección<br>Collection | Pág.<br>Page | Referencia<br>Reference | Información<br>Information | Acabados<br>Finishes    | Armazón<br>Frame | Difusor<br>Diffuser | Pantalla<br>Shade | Opcional<br>Optional |
|-------------------------|--------------|-------------------------|----------------------------|-------------------------|------------------|---------------------|-------------------|----------------------|
| CUB                     | 69           | PS-175/160              | ⊕ ⊖ IP20 RF850°            | B C COS N NM            | ACE RO           | PO LIC              |                   |                      |
| CUINA                   | 187          | A-59                    | ⊕ ⊖ IP20 RF850°            | AL B C                  | ALU              |                     |                   |                      |
| DEL                     | 209          | A-34                    | ⊕ ⊖ IP20 RF850°            | B C NM N                | ACE RO           |                     |                   |                      |
| DEL                     | 209          | A-74                    | ⊕ ⊖ IP20 RF850°            | B C NM N                | ACE RO           |                     |                   |                      |
| DEL                     | 209          | P-32                    | ⊕ ⊖ IP20 RF850°            | B C NM N                | ACE RO           |                     |                   |                      |
| DEL                     | 209          | P-76                    | ⊕ ⊖ IP20 RF850°            | B C NM N                | ACE RO           |                     |                   |                      |
| DEL                     | 209          | PS-33                   | ⊕ ⊖ IP20 RF850°            | B C NM N                | ACE RO           |                     |                   |                      |
| DEL                     | 209          | PS-75                   | ⊕ ⊖ IP20 RF850°            | B C NM N                | ACE RO           |                     |                   |                      |
| DUO                     | 55           | A-217/1                 | ⊕ ⊖ IP20 RF850°            | B N                     | ACE RO           |                     |                   |                      |
| DUO                     | 55           | A-217/2                 | ⊕ ⊖ IP20 RF850°            | B N                     | ACE RO           |                     |                   |                      |
| ESFERIC                 | 185          | A-300                   | ⊕ ⊗ IP20 RF850°            | B C N NM O OM OX CU PL  | ACE RO           | CRI                 |                   |                      |
| ESFERIC                 | 185          | A-302                   | ⊕ ⊗ IP20 RF850°            | B C N NM O OM OX CU PL  | ACE RO           | CRI                 |                   |                      |
| EVE                     | 179          | A-892                   | ⊕ ⊖ IP20 RF850°            | C NM                    | ALU              |                     | TE LA             |                      |
| EVE                     | 179          | PS-893                  | ⊕ ⊖ IP20 RF850°            | C NM                    | ALU              |                     | TE LA             |                      |
| GIRAVOLT                | 177          | G-6 T5                  | ⊕ ⊖ IP20                   | C NM                    | ACE RO           |                     | PER POL           |                      |
| GREGAL                  | 199          | P-865                   | ⊕ ⊖ IP20 RF850°            | B C NM                  | ACE RO           | ACE RO              |                   |                      |
| GREGAL                  | 199          | P-865 LED               | ⊕ ⊖ IP20 RF850°            | B C NM                  | ACE RO           | ACE RO              |                   |                      |
| ICONO                   | 79           | A-205/1                 | ⊕ ⊖ IP20 RF850°            | B C N NM                | ACE RO           |                     |                   |                      |
| ICONO                   | 79           | A-205/2                 | ⊕ ⊖ IP20 RF850°            | B C N NM                | ACE RO           |                     |                   |                      |
| ICONO                   | 79           | A-205/3                 | ⊕ ⊖ IP20 RF850°            | B C N NM                | ACE RO           |                     |                   |                      |
| IRIS                    | 127          | A-160/30                | ⊕ ⊖ IP20 RF850°            | B C NM N                | LA TON           | CRI                 |                   | ☐ IP44 LED 4000K     |
| IRIS                    | 127          | A-160/60                | ⊕ ⊖ IP20 RF850°            | B C NM N                | LA TON           | CRI                 |                   | ☐ IP44 LED 4000K     |
| IRIS                    | 127          | A-160/90                | ⊕ ⊖ IP20 RF850°            | B C NM N                | LA TON           | CRI                 |                   | ☐ IP44 LED 4000K     |
| IRIS                    | 127          | A-160/120               | ⊕ ⊖ IP20 RF850°            | B C NM N                | LA TON           | CRI                 |                   | ☐ IP44 LED 4000K     |
| KEY                     | 91           | A-206/1                 | ⊕ ⊖ IP20 RF850°            | AM AZ B C COS N OM R VE | ALU              |                     |                   |                      |
| KEY                     | 91           | A-206/2                 | ⊕ ⊖ IP20 RF850°            | AM AZ B C COS N OM R VE | ALU              |                     |                   |                      |
| LULA                    | 193          | A-022/A                 | ⊕ ⊖ IP20 RF850°            | B C NM N                | ALU              |                     |                   |                      |
| LULA                    | 193          | A-022/BASE              | ⊕ ⊖ IP20 RF850°            | B C NM N                | ACE RO           |                     | ALU               |                      |
| LUX                     | 157          | P-180                   | ⊕ ⊖ IP20                   | B C N NM PL OX          | ACE RO           |                     |                   |                      |
| LUX                     | 157          | P-180/SL                | ⊕ ⊖ IP20                   | B C N NM PL OX          | ACE RO           |                     |                   |                      |

| Colección<br>Collection | Pág.<br>Page | Referencia<br>Reference | Información<br>Information | Acabados<br>Finishes | Armazón<br>Frame | Difusor<br>Diffuser | Pantalla<br>Shade | Opcional<br>Optional |
|-------------------------|--------------|-------------------------|----------------------------|----------------------|------------------|---------------------|-------------------|----------------------|
| MASAI                   | 175          | KIT/932                 |                            |                      | ACE<br>RO        |                     |                   |                      |
| MASAI                   | 175          | P-932/ EXT              | ⊕ ⊖ IP65 RF850°            | AL                   |                  |                     | PO<br>LIC         |                      |
| MASAI                   | 175          | P-932/ EXT/<br>RGB      | ⊕ ⊖ IP65 RF850°            | B                    |                  |                     | PO<br>LIC         |                      |
| MASAI                   | 175          | P-932/ INT/<br>REG      | ⊕ ⊖ IP20 RF850°            | AL                   |                  |                     | PO<br>LIC         |                      |
| MASAI                   | 175          | P-932/ INT/<br>RGB      | ⊕ ⊖ IP20 RF850°            | AL                   |                  |                     | PO<br>LIC         |                      |
| MINI                    | 111          | C-197                   | ⊕ ⊖ IP20                   | B C COS N NM         | ACE<br>RO        |                     | ALU               |                      |
| MINI                    | 111          | C-197/5                 | ⊕ ⊖ IP20                   | B C COS N NM         | ACE<br>RO        |                     | ALU               |                      |
| MINI                    | 111          | C-197/7                 | ⊕ ⊖ IP20                   | B C COS N NM         | ACE<br>RO        |                     | ALU               |                      |
| MINI                    | 111          | C-197/13                | ⊕ ⊖ IP20                   | B C COS N NM         | ACE<br>RO        |                     | ALU               |                      |
| MINI                    | 111          | C-197/14                | ⊕ ⊖ IP20                   | B C COS N NM         | ACE<br>RO        |                     | ALU               |                      |
| MINI                    | 111          | C-198/7                 | ⊕ ⊖ IP20                   | B C COS N NM         | ACE<br>RO        |                     | ALU               |                      |
| MINI                    | 111          | C-198/13                | ⊕ ⊖ IP20                   | B C COS N NM         | ACE<br>RO        |                     | ALU               |                      |
| MINI MAXI               | 105          | A-208                   | ⊕ ⊖ IP20 RF850°            | B C COS N NM         | ACE<br>RO        |                     | ALU               |                      |
| MINI MAXI               | 105          | A-209                   | ⊕ ⊖ IP20 RF850°            | B C COS N NM         | ACE<br>RO        |                     | ALU               |                      |
| MINI MAXI               | 105          | A-210                   | ⊕ ⊖ IP20 RF850°            | B C COS N NM         | ACE<br>RO        |                     | ALU               |                      |
| MINI MAXI               | 105          | C-211                   | ⊕ ⊖ IP20 RF850°            | B C COS N NM         | ACE<br>RO        |                     | ALU               |                      |
| MINI MAXI               | 105          | C-212                   | ⊕ ⊖ IP20 RF850°            | B C COS N NM         | ACE<br>RO        |                     | ALU               |                      |
| MINI MAXI               | 105          | P-215                   | ⊕ ⊖ IP20 RF850°            | B C COS N NM         | ACE<br>RO        |                     | ALU               |                      |
| MINI MAXI               | 105          | PS-213                  | □ ⊖ IP20 RF850°            | B C COS N NM         | ACE<br>RO        |                     | ALU               |                      |
| MINI<br>PLAFON          | 183          | PL-150                  | ⊕ ⊖ IP44 RF850°            | B C NM N             | ALU              | CRI                 |                   |                      |
| MINI<br>PLAFON          | 183          | PL-151                  | ⊕ ⊖ IP20 RF850°            | B C NM N             | ALU              | CRI                 |                   |                      |
| NATURAL                 | 47           | MIA-03-25               | ⊕ ⊖ IP20                   | BU NA                |                  | CRI                 | MIM               |                      |
| NATURAL                 | 47           | MIA-03-35               | ⊕ ⊖ IP20                   | BU NA                |                  | CRI                 | MIM               |                      |
| NATURAL                 | 47           | MIA-03-50               | ⊕ ⊖ IP20                   | BU NA                |                  | CRI                 | MIM               |                      |
| NATURAL                 | 47           | MIC-01-80               | ⊕ ⊖ IP20                   | BU NA                |                  | CRI                 | MIM               |                      |
| NATURAL                 | 47           | MIC-01-120              | ⊕ ⊖ IP20                   | BU NA                |                  | CRI                 | MIM               |                      |
| NATURAL                 | 47           | MIC-01-160              | ⊕ ⊖ IP20                   | BU NA                |                  | CRI                 | MIM               |                      |
| NATURAL                 | 47           | MIC-02-20               | ⊕ ⊖ IP20                   | BU NA                |                  | CRI                 | MIM               |                      |
| NATURAL                 | 47           | MIC-02-30               | ⊕ ⊖ IP20                   | BU NA                |                  | CRI                 | MIM               |                      |
| NATURAL                 | 47           | MIC-02-50               | ⊕ ⊖ IP20                   | BU NA                |                  | CRI                 | MIM               |                      |

| Colección<br>Collection | Pág.<br>Page | Referencia<br>Reference | Información<br>Information | Acabados<br>Finishes  | Armazón<br>Frame | Difusor<br>Diffuser | Pantalla<br>Shade | Opcional<br>Optional        |
|-------------------------|--------------|-------------------------|----------------------------|-----------------------|------------------|---------------------|-------------------|-----------------------------|
| NATURAL                 | 47           | MIS-02-20               | IP20                       | BU NA                 |                  | CRI                 | MIM               |                             |
| NATURAL                 | 47           | MIS-02-30               | IP20                       | BU NA                 |                  | CRI                 | MIM               |                             |
| NATURAL                 | 47           | MIS-02-50               | IP20                       | BU NA                 |                  | CRI                 | MIM               |                             |
| NENUFAR                 | 59           | A-216                   | IP20  RF850°               | PO                    | ALU              |                     |                   |                             |
| NOA                     | 57           | PS-207/170              | IP20  RF850°               | B N NM N/B N/OM N/COS | ACE RO           |                     | CRI               |                             |
| NOA                     | 57           | PS-207/260              | IP20  RF850°               | B N NM N/B N/OM N/COS | ACE RO           |                     | CRI               |                             |
| OPAL                    | 151          | A-869/15                | IP20  RF850°               | C NM                  | ACE RO           | CRI                 |                   | IP44 LED 2700K<br>LED 4000K |
| OPAL                    | 151          | A-869/40                | IP20  RF850°               | C NM                  | ACE RO           | CRI                 |                   | IP44 LED 2700K<br>LED 4000K |
| OPAL                    | 151          | A-869/60                | IP20  RF850°               | C NM                  | ACE RO           | CRI                 |                   | IP44 LED 2700K<br>LED 4000K |
| OPAL                    | 151          | A-869/90                | IP20  RF850°               | C NM                  | ACE RO           | CRI                 |                   | IP44 LED 2700K<br>LED 4000K |
| OPAL                    | 151          | A-869/120               | IP20  RF850°               | C NM                  | ACE RO           | CRI                 |                   | IP44 LED 2700K<br>LED 4000K |
| PIE                     | 215          | P-801 LED               | IP20  RF850°               | C NM CU               | ACE RO           | ACE RO              |                   |                             |
| PLAFO                   | 181          | PL-190/40               | IP20                       | B N                   | ACE RO           | PM MA               |                   |                             |
| PLAFO                   | 181          | PL-190/60               | IP20                       | B N                   | ALU              | PM MA               |                   |                             |
| PLAFO                   | 181          | PL-190/80               | IP20                       | B N                   | ALU              | PM MA               |                   |                             |
| PLASMA                  | 167          | A-66                    | IP20  RF850°               | B C NM                | ALU              |                     |                   |                             |
| PRIM                    | 125          | A-155/30                | IP20                       | B C NM N              | ALU              | PO LIC              |                   | IP44 LED 4000K              |
| PRIM                    | 125          | A-155/60                | IP20                       | B C NM N              | ALU              | PO LIC              |                   | IP44 LED 4000K              |
| PRIM                    | 125          | A-155/90                | IP20                       | B C NM N              | ALU              | PO LIC              |                   | IP44 LED 4000K              |
| PRIM                    | 125          | A-155/120               | IP20                       | B C NM N              | ALU              | PO LIC              |                   | IP44 LED 4000K              |
| PRIM                    | 125          | C-157                   | IP20                       | B C NM N              | ALU              | PO LIC              |                   | LED 4000K                   |
| SIGNE                   | 83           | A-920                   | IP20  RF850°               | AL                    | ALU              | PM MA               |                   |                             |
| SIGNE                   | 83           | A-920/ESP               | IP20  RF850°               | AL                    | ALU              | PM MA               |                   |                             |
| SIGNE                   | 83           | A-921                   | IP20  RF850°               | AL                    | ALU              | PM MA               |                   |                             |
| SPHERE                  | 53           | A-241                   | IP20  RF850°               | N PO                  | ACE RO           | CRI                 |                   |                             |
| SPHERE                  | 53           | C-242                   | IP20  RF850°               | N PO                  | ACE RO           | CRI                 |                   |                             |
| SPHERE                  | 53           | P-243                   | IP20  RF850°               | N PO                  | ACE RO           | CRI                 |                   |                             |
| SPHERE                  | 53           | PS-244                  | IP20  RF850°               | N PO                  | ACE RO           | CRI                 |                   |                             |
| SUAU                    | 73           | A-163                   | IP20  RF850°               | B C NM                | ACE RO           |                     |                   |                             |

| Colección<br>Collection | Pág.<br>Page | Referencia<br>Reference | Información<br>Information | Acabados<br>Finishes | Armazón<br>Frame | Difusor<br>Diffuser | Pantalla<br>Shade | Opcional<br>Optional |
|-------------------------|--------------|-------------------------|----------------------------|----------------------|------------------|---------------------|-------------------|----------------------|
| SUAU                    | 73           | A-163/CL                | IP20 RF850°                |                      |                  |                     |                   |                      |
| SUNSET                  | 85           | PS-195                  | IP20 RF850°                |                      |                  |                     |                   |                      |
| SUTIL                   | 77           | A-225/15                | IP20 RF850°                |                      |                  |                     |                   |                      |
| SUTIL                   | 77           | A-225/30                | IP20 RF850°                |                      |                  |                     |                   |                      |
| SUTIL                   | 77           | A-225/60                | IP20 RF850°                |                      |                  |                     |                   |                      |
| THIN                    | 159          | A-167                   | IP20                       |                      |                  |                     |                   |                      |
| TOMAS                   | 97           | A-181                   | IP20                       |                      |                  |                     |                   |                      |
| TOMAS                   | 97           | C-182                   | IP20                       |                      |                  |                     |                   |                      |
| TOMAS                   | 97           | P-186                   | IP20                       |                      |                  |                     |                   |                      |
| TOMAS                   | 97           | PS-184                  | IP20                       |                      |                  |                     |                   |                      |
| TRIO                    | 155          | P-201                   | IP20                       |                      |                  |                     |                   |                      |
| TRIO                    | 155          | P-201/SL                | IP20                       |                      |                  |                     |                   |                      |
| TUB                     | 213          | A-40                    | IP20 RF850°                |                      |                  |                     |                   |                      |
| TUB                     | 213          | P-45                    | IP20 RF850°                |                      |                  |                     |                   |                      |
| TUB                     | 213          | PS-44                   | IP20 RF850°                |                      |                  |                     |                   |                      |
| ZEN                     | 121          | C-237/5                 | IP20 RF850°                |                      |                  |                     |                   |                      |
| ZEN                     | 121          | C-237/7                 | IP20 RF850°                |                      |                  |                     |                   |                      |
| ZEN                     | 121          | C-237/9                 | IP20 RF850°                |                      |                  |                     |                   |                      |
| ZEN                     | 121          | C-238/8                 | IP20 RF850°                |                      |                  |                     |                   |                      |
| ZEN                     | 121          | C-238/12                | IP20 RF850°                |                      |                  |                     |                   |                      |
| ZEN                     | 121          | C-239/10                | IP20 RF850°                |                      |                  |                     |                   |                      |
| ZEN                     | 121          | C-239/24                | IP20 RF850°                |                      |                  |                     |                   |                      |
| ZEN                     | 121          | C-240/6                 | IP20 RF850°                |                      |                  |                     |                   |                      |
| ZEN                     | 121          | C-240/8                 | IP20 RF850°                |                      |                  |                     |                   |                      |
| ZEN                     | 121          | C-240/10                | IP20 RF850°                |                      |                  |                     |                   |                      |
| ZIG                     | 27           | A-224                   | IP20                       |                      |                  |                     |                   |                      |
| ZIG                     | 27           | P-218                   | IP20                       |                      |                  |                     |                   |                      |
| ZIG                     | 27           | P-219                   | IP20                       |                      |                  |                     |                   |                      |
| ZIG                     | 27           | P-220                   | IP20                       |                      |                  |                     |                   |                      |
| ZIG                     | 27           | PS-221                  | IP20                       |                      |                  |                     |                   |                      |



| Colección<br>Collection | Pág.<br>Page | Referencia<br>Reference | Información<br>Information   | Acabados<br>Finishes   | Armazón<br>Frame   | Difusor<br>Diffuser | Pantalla<br>Shade   | Opcional<br>Optional |
|-------------------------|--------------|-------------------------|--|--|--|---------------------|---|----------------------|
| ZIG                     | 27           | PS-222                  |  IP20 | <br>N | <br>ACE<br>RO |                     |   |                      |
| ZIG                     | 27           | PS-223                  |  IP20 | <br>N | <br>ACE<br>RO |                     |   |                      |



Industria 13  
08980 Sant Feliu de Llobregat  
Barcelona  
SPAIN

Tel +34 936 857 880

comercial@pujoliluminacion.com  
export@pujoliluminacion.com

**[www.pujoliluminacion.com](http://www.pujoliluminacion.com)**





**Pujol** iluminación  
[www.pujoliluminacion.com](http://www.pujoliluminacion.com)